

# **Component Procedures: Water Pump**

## **Table of Contents**

1. Parts and Labor (itype\_189)
2. Components (itype\_392)
3. Water Pump Replacement (Article 2071987)
4. Mechanical (including Torque) (itype\_28)
5. Component Tests and General Diagnostics (itype\_383)

# Component Procedures: Water Pump

## Parts and Labor (itype\_189)

### Parts

Qualifier	Part #	Name	Price	Note
Water Pump	4626054AD	5 - Water Pump	135.00	

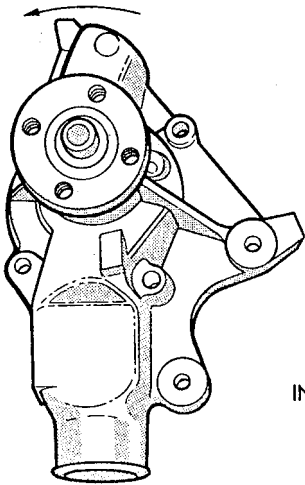
### Labor

Operation	Qualifier Path	Skill	Std Hrs	Wty Hrs
Replace	Water Pump, R&R	B	1.7	0.0

## Components (itype\_392)

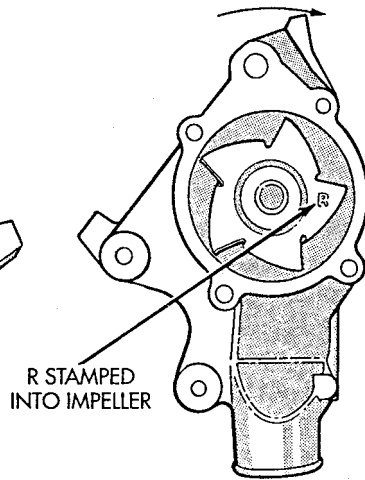
### FRONT VIEW

ROTATION DIRECTION  
AS VIEWED



### BACK VIEW

ROTATION DIRECTION  
AS VIEWED

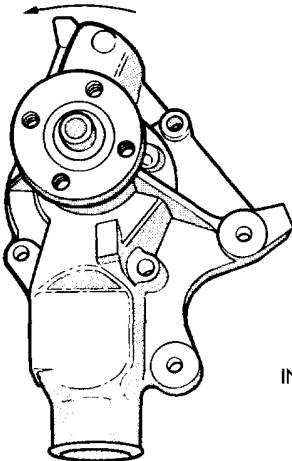


J9307-10

## Water Pump Replacement (Article 2071987)

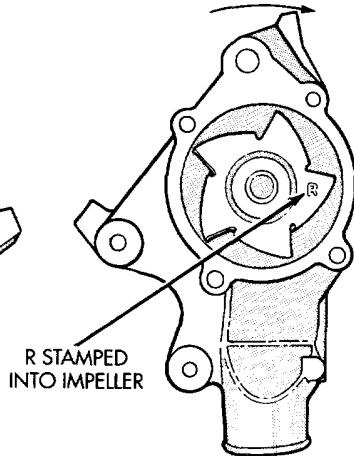
### FRONT VIEW

ROTATION DIRECTION  
AS VIEWED

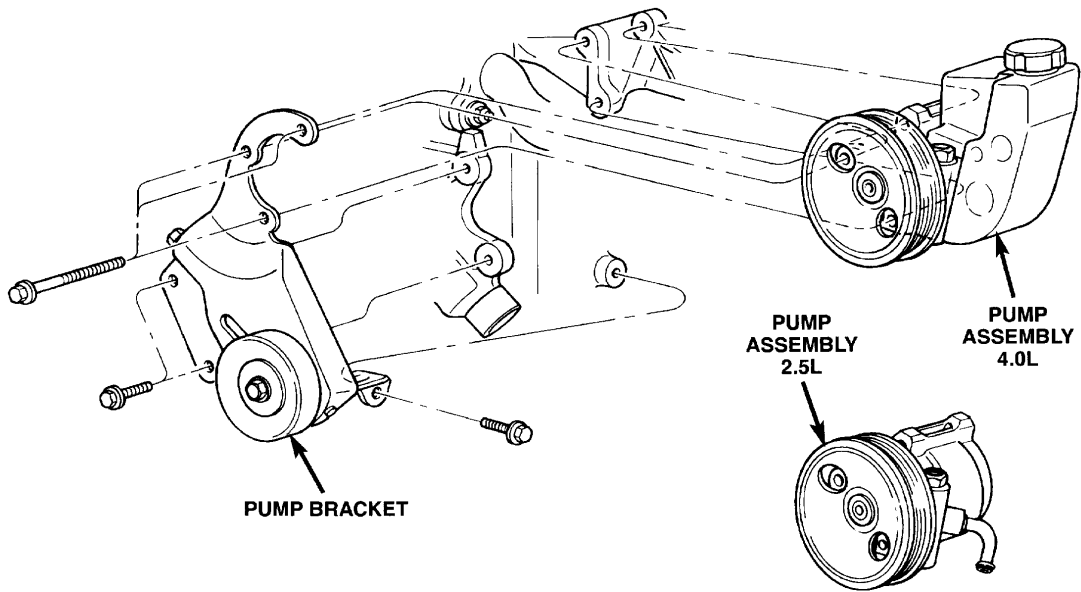
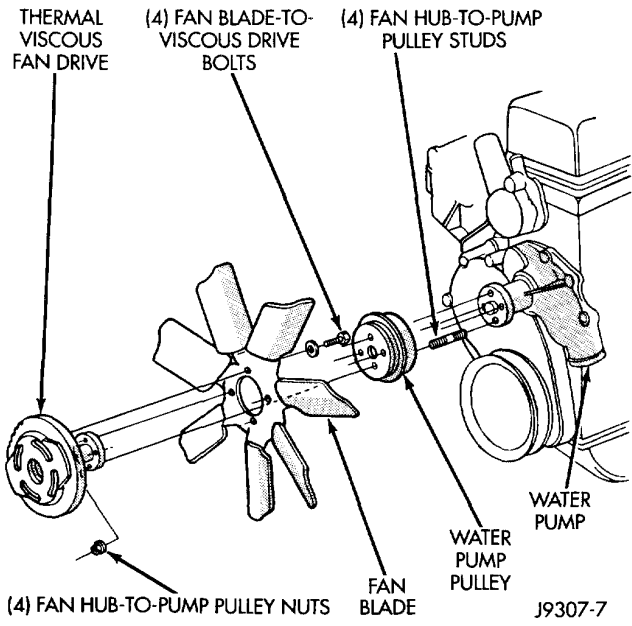


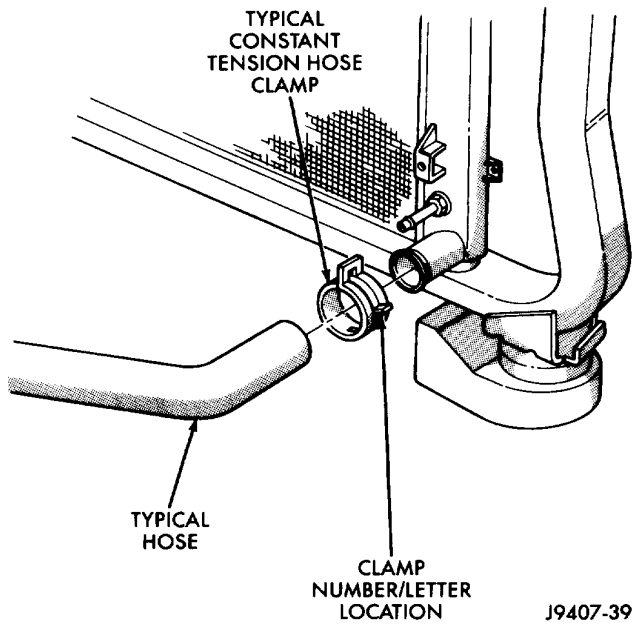
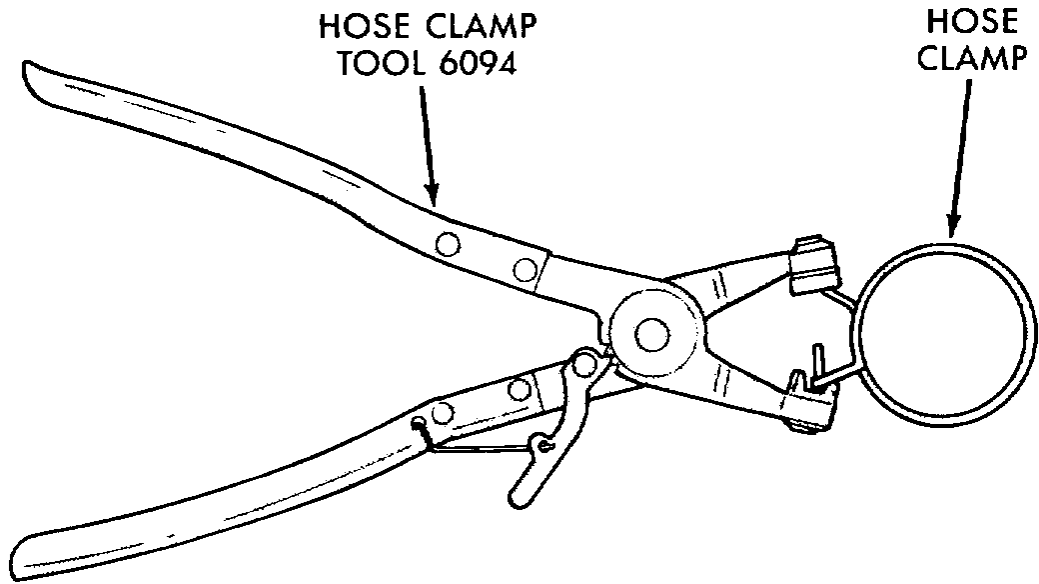
### BACK VIEW

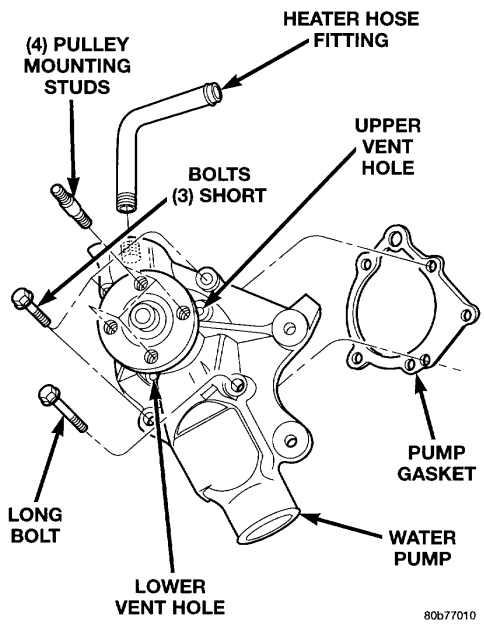
ROTATION DIRECTION  
AS VIEWED



J9307-10







**Mechanical (including Torque) (itype\_28)**

Viscous Fan Drive

To

Water Pump

Nuts ..... 23 Nm (200 inch lbs.)

Viscous Fan

Drive To Water Pump Studs ..... 11 Nm (100 inch lbs.)

Water Pump Bolts ..... 30 Nm (22 ft. lbs.)

Water Pump to Block Bolts ..... 31 Nm (23 Ft. lbs.)

**Component Tests and General Diagnostics (itype\_383)**

