

Component Procedures: Wiper Arm

Table of Contents

1. Parts and Labor (itype_189)
2. Components (itype_392)
3. Wiper Arm (Article 2087125)
4. Rear Wiper Arm (Article 2087129)

Component Procedures: Wiper Arm

Parts and Labor (itype_189)

Labor

Operation	Qualifier	Path	Skill	Std Hrs	Wty Hrs
Replace		Each	C	0.2	0.0

Components (itype_392)

SYSTEM DESCRIPTION

All models have two

33.02-centimeter (13-inch)

windshield wiper

blades with non-replaceable rubber elements (squeegees). The rear

wiper

uses a single

45.72-centimeter (18-inch)

wiper blade

with a non-replaceable rubber element (squeegee).

Caution should be exercised to protect the rubber squeegees from any petroleum-based cleaners or contaminants, which will rapidly deteriorate the rubber. If the squeegees are damaged, worn, or contaminated, the entire wiper blade assembly must be replaced.

Wiper squeegees exposed to the elements for a long time tend to lose their wiping effectiveness. Periodic cleaning of the squeegees is suggested to remove deposits of salt and road film. The wiper blades, arms, and windshield or rear lift-glass should be cleaned with a sponge or cloth and windshield washer fluid, a mild detergent, or a non-abrasive cleaner. If the squeegees continue to streak or smear, the wiper blades should be replaced.

The blades are mounted to spring-loaded

wiper arm

s. The spring tension of the wiper arms controls the pressure applied to the blades on the glass. The

windshield wiper arms are secured by an integral latch to the two

wiper pivot

s on the cowl plenum cover/grille panel at the base of the windshield. The rear wiper arm is secured by an

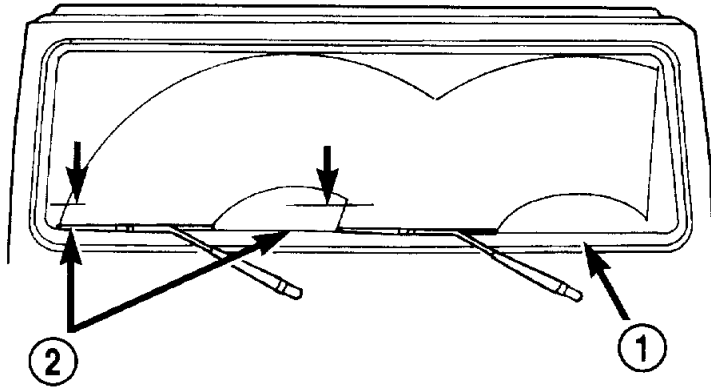
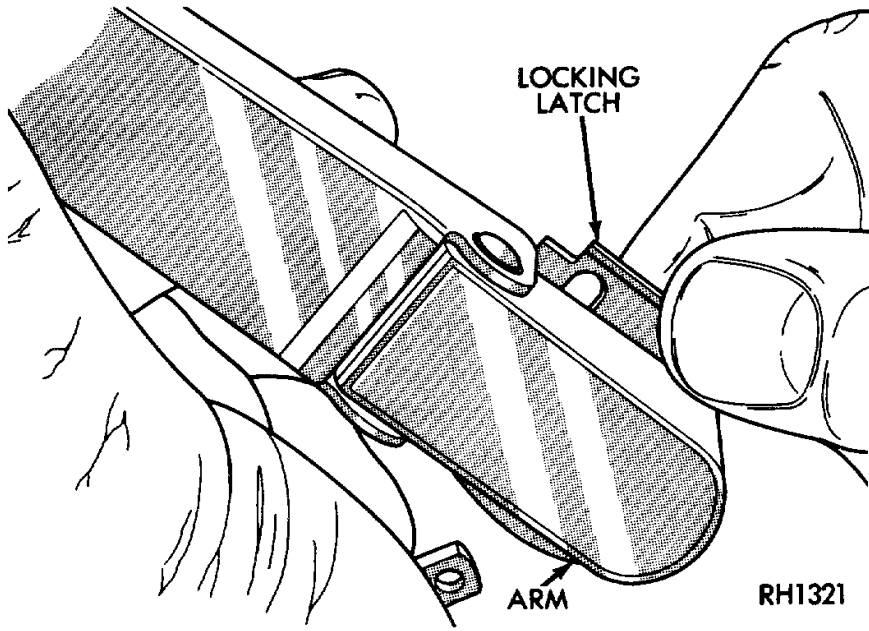
integral latch directly to the

rear wiper motor

output shaft on the lift-glass.

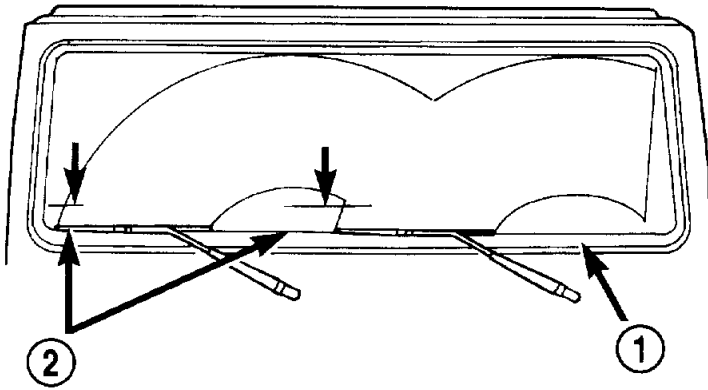
The wiper arms and blades cannot be adjusted or repaired. If faulty or damaged, they must be replaced.

Wiper Arm (Article 2087125)



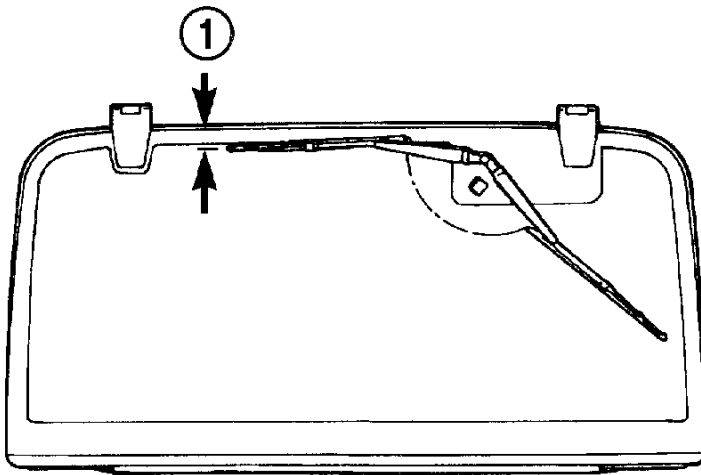
- 1 - WINDSHIELD BLACKOUT AREA
- 2 - PARK BLADE ON UPPER EDGE OF BLACKOUT AREA
+15 mm — 0 mm (+0.59 in. — 0 in.)

Rear Wiper Arm (Article 2087129)



80a4a518

- 1 - WINDSHIELD BLACKOUT AREA
- 2 - PARK BLADE ON UPPER EDGE OF BLACKOUT AREA
+15 mm — 0 mm (+0.59 in. — 0 in.)



80a4a51a

Fig. 11 Rear Wiper Arm Installation

1 - TIP OF BLADE PARALLEL TO OR TIPPED DOWN FROM
EDGE OF GLASS MAXIMUM 80 mm (3.14 in.)