

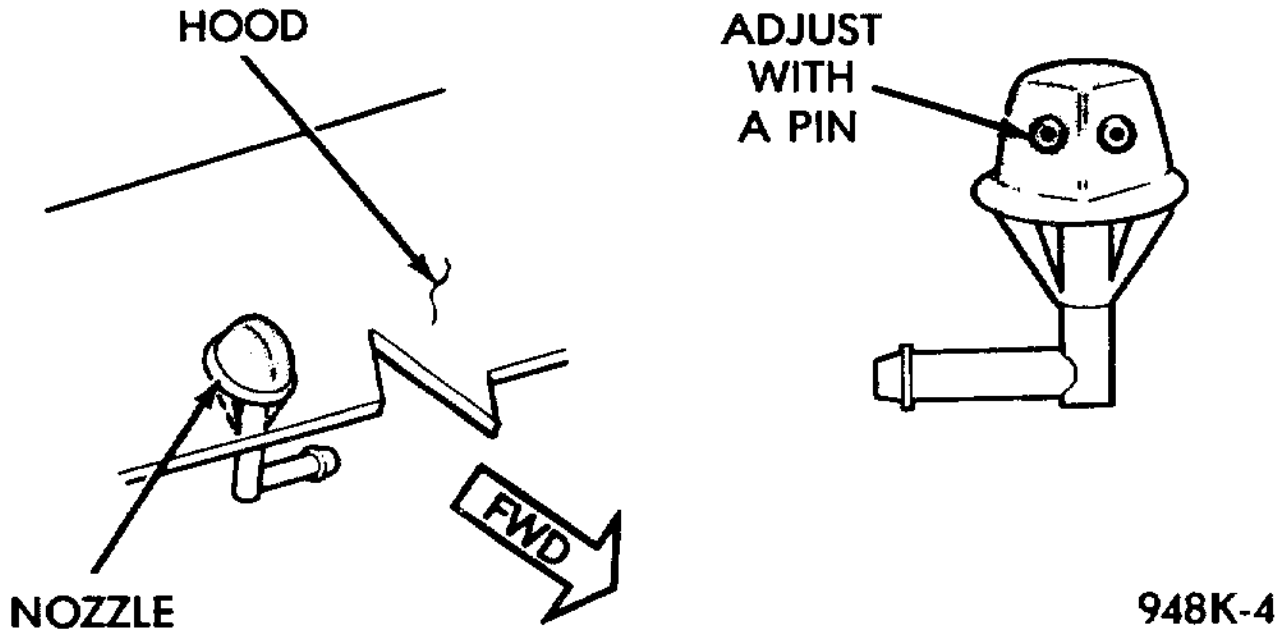
Component Procedures: Windshield Washer Spray Nozzle

Table of Contents

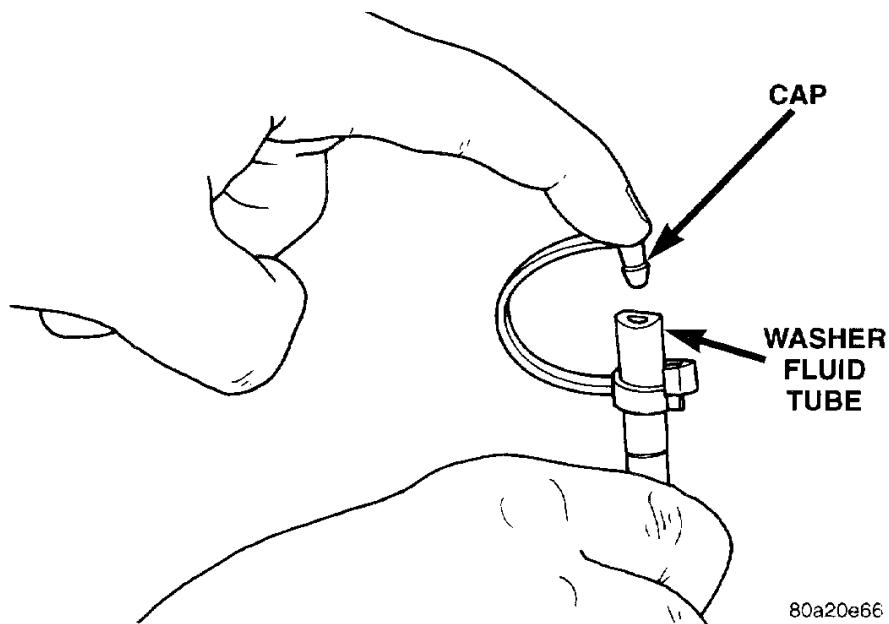
1. Front (Article 2085575)
2. Rear (Article 2085576)
3. Components (itype_32)
4. Washer Nozzle and Plumbing (Article 2085520)
5. Rear Washer Nozzle (Article 2085521)
6. Mechanical (including Torque) (itype_28)

Component Procedures: Windshield Washer Spray Nozzle

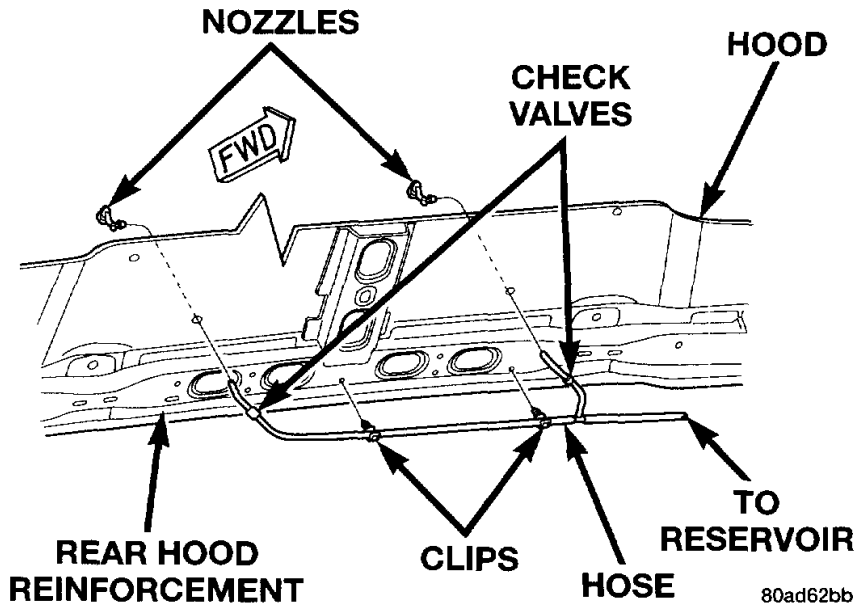
Front (Article 2085575)



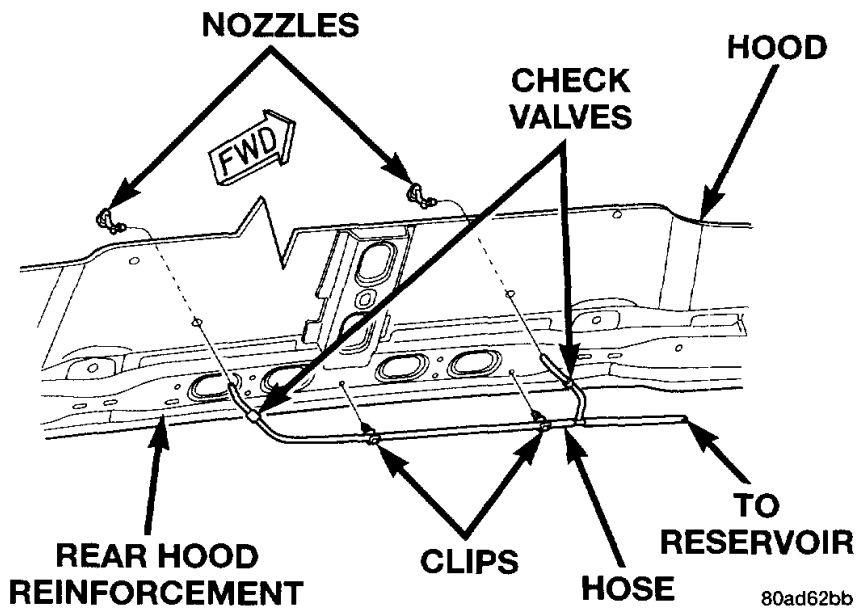
Rear (Article 2085576)



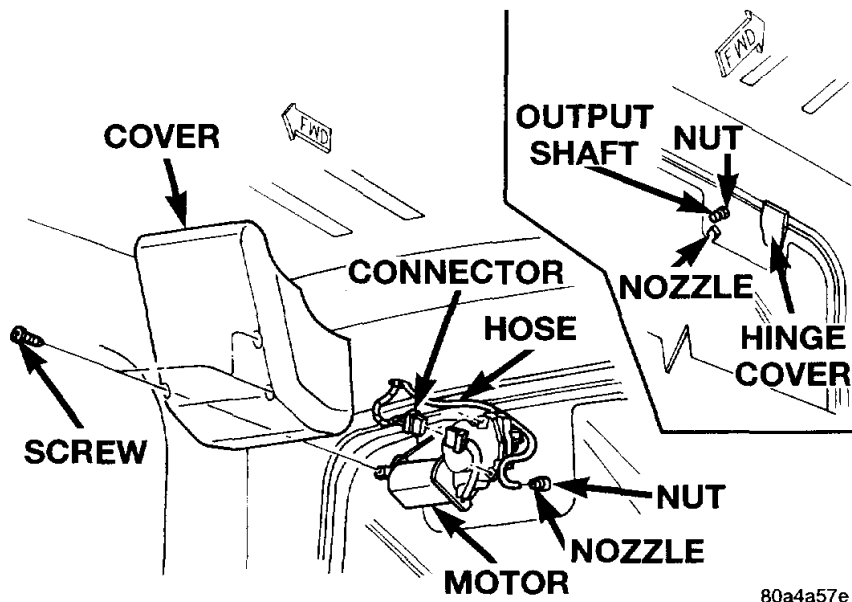
Components (itype_32)



Washer Nozzle and Plumbing (Article 2085520)



Rear Washer Nozzle (Article 2085521)



Mechanical (including Torque) (itype_28)

Tighten the
washer nozzle
nut to
0.9 N.m (8 in. lbs.)