

Component Procedures: Tail Lamp

Table of Contents

1. Components (itype_389)
2. Components (itype_32)
3. Tail, Stop, Turn Signal and Back-Up Lamp (Article 2084033)

Component Procedures: Tail Lamp

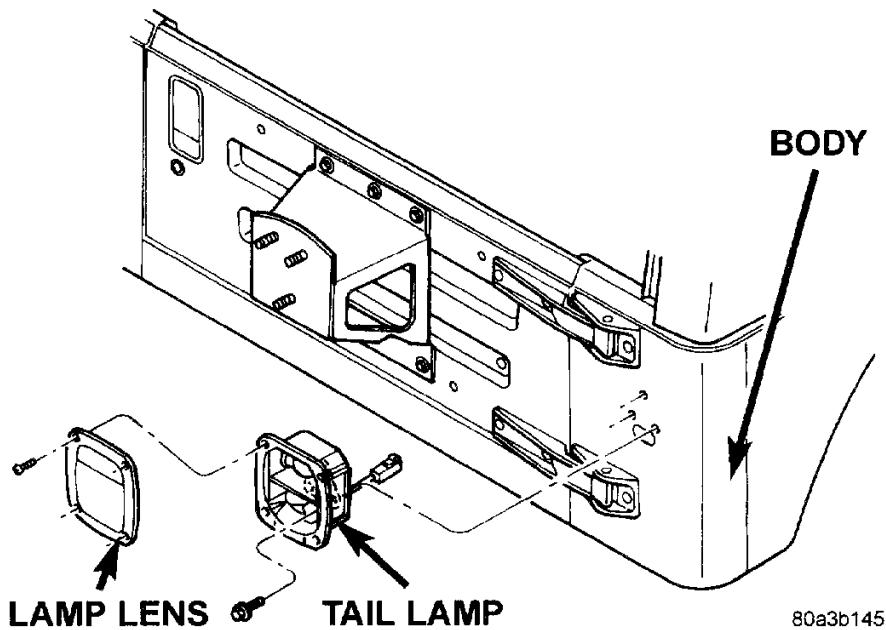
Components (itype_389)

CAUTION

: Do not use bulbs that have a higher candle power than the bulb listed. Damage to lamp can result. Do not touch halogen bulbs with fingers or other oily surfaces. Bulb life will be reduced.

Tail/Stop = 1157

Components (itype_32)



Tail, Stop, Turn Signal and Back-Up Lamp (Article 2084033)

