

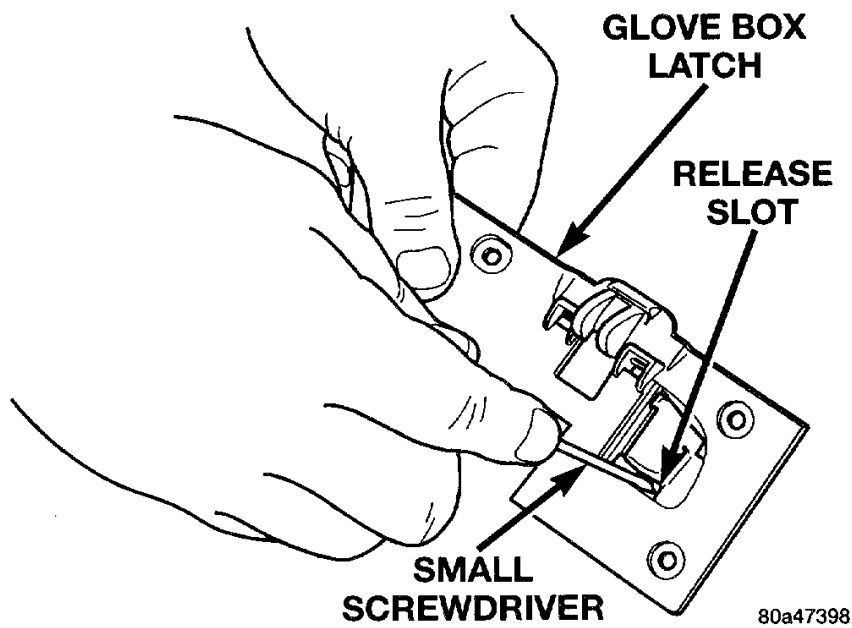
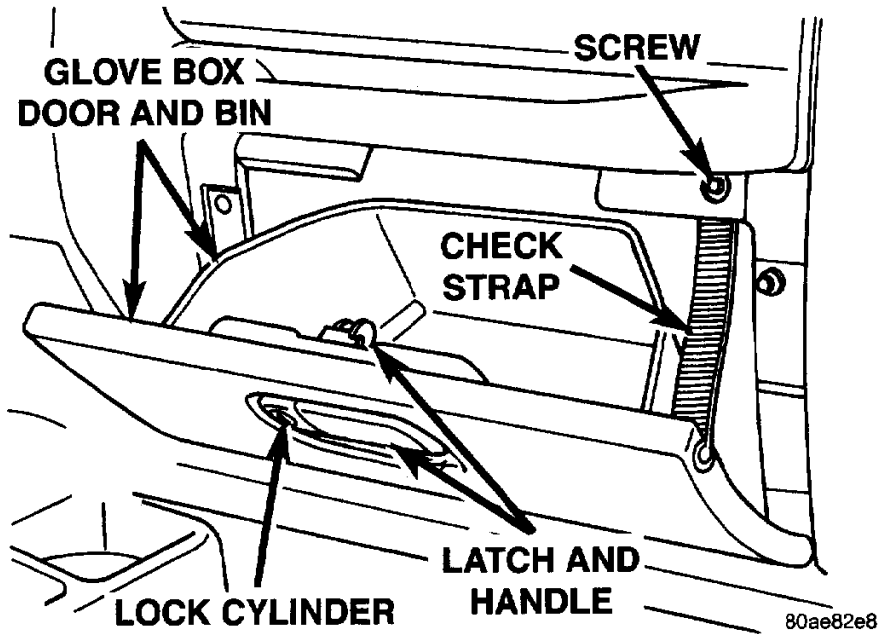
Component Procedures: Glove Compartment

Table of Contents

1. Components (itype_32)
2. Glove Box Component Replacement (Article 2027249)
3. Glove Box Check Strap (Article 2027268)
4. Glove Box Door and Bin (Article 2027265)
5. Glove Box Latch and Handle (Article 2027266)
6. Technician Safety Information (itype_15)
7. Mechanical (including Torque) (itype_28)

Component Procedures: Glove Compartment

Components (itype_32)



Glove Box Component Replacement (Article 2027249)

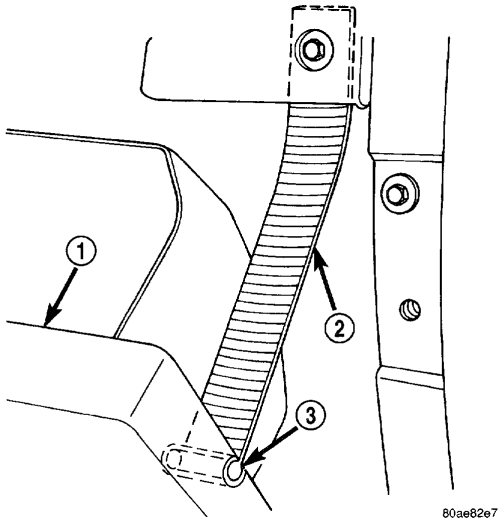
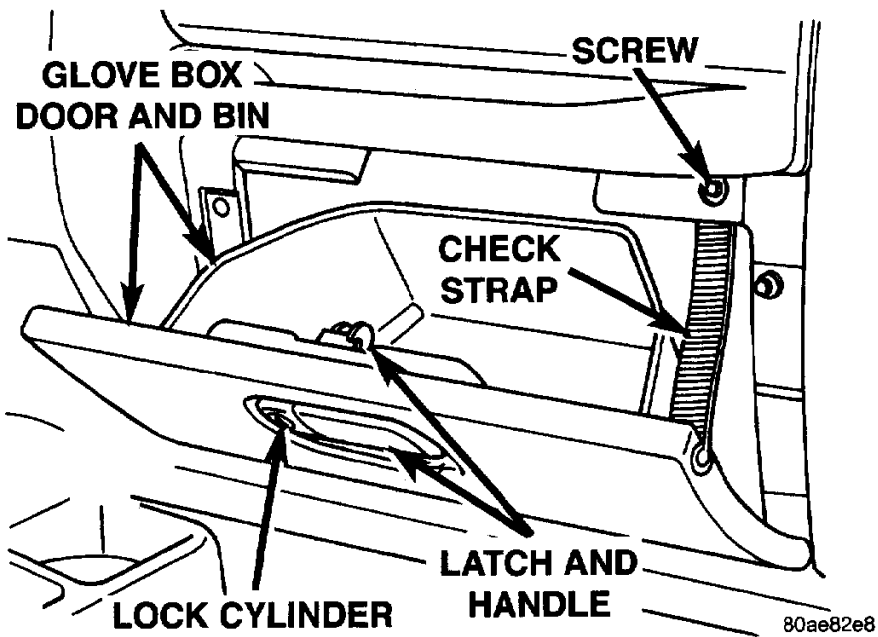


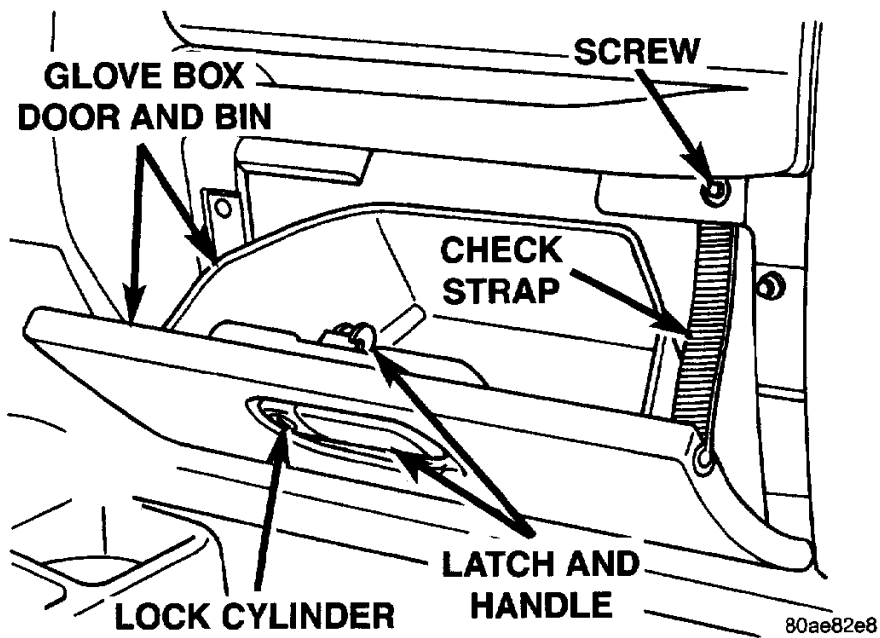
Fig. 8 Glove Box Remove/Install

- 1 - GLOVE BOX DOOR
- 2 - CHECK STRAP
- 3 - SLOT

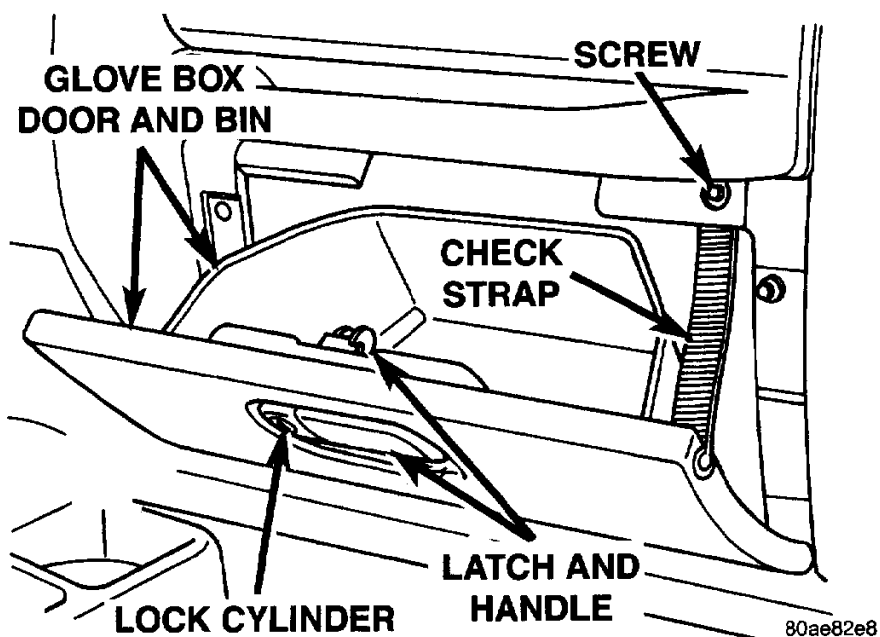
Glove Box Check Strap (Article 2027268)



Glove Box Door and Bin (Article 2027265)



Glove Box Latch and Handle (Article 2027266)



Technician Safety Information (itype_15)

WARNING: ON VEHICLES EQUIPPED WITH AIRBAGS, REFER TO RESTRAINT SYSTEMS / AIRBAG SYSTEMS BEFORE ATTEMPTING AIRBAG SERVICE ON THE STEERING WHEEL, STEERING COLUMN, OR INSTRUMENT PANEL COMPONENT DIAGNOSIS OR SERVICE. FAILURE TO TAKE THE PROPER PRECAUTIONS COULD RESULT IN ACCIDENTAL AIRBAG DEPLOYMENT AND POSSIBLE PERSONAL INJURY

Mechanical (including Torque) (itype_28)

Tighten the screws that secure the inner door and bin unit to the outer glove box door screws to 2.2 N.m (20 in. lbs.)

Tighten the screws that secure the glove box latch and handle to the glove box door screws to

Tighten the screw that secures the glove box check strap to the instrument panel

above the glove box opening screw to

Tighten the four screws that secure the glove box latch and handle to the glove box door from the inside of the glove box screws to

Tighten the two screws that secure the latch striker to the grab handle bezel at the top

of the instrument panel glove box opening screws to