

Component Procedures: Radiator Cap

Table of Contents

1. Parts and Labor (itype_189)
2. Components (itype_392)
3. Radiator Cap - Pressure Testing (Article 2027921)
4. Radiator Cap to Filler Neck Seal - Pressure Relief Check (Article 2027922)
5. Radiator Cap - Inspection (Article 2027919)

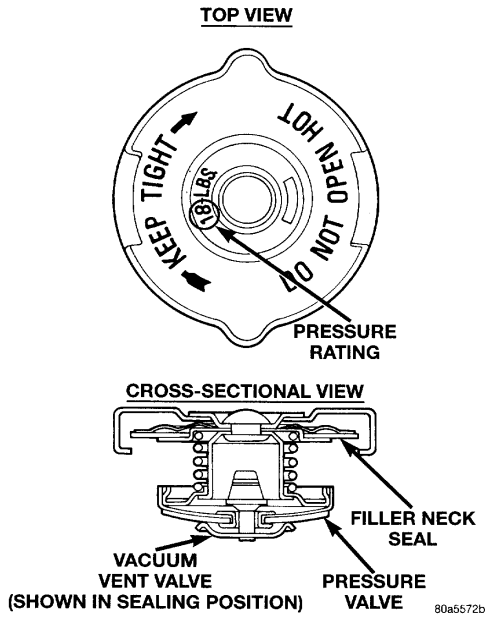
Component Procedures: Radiator Cap

Parts and Labor (itype_189)

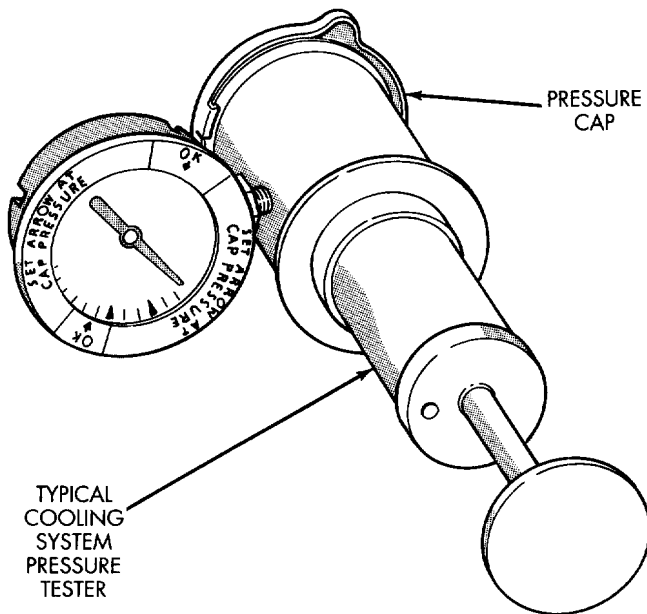
Parts

| Qualifier | Part # | Name | Price | Note |
|--------------|------------|------------------|-------|------|
| Radiator Cap | 52079799AA | 4 - Radiator Cap | 10.45 | |

Components (itype_392)

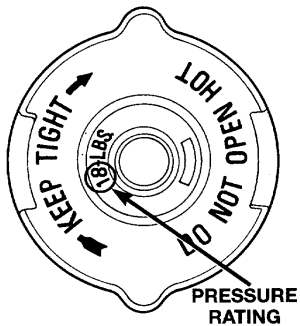


Radiator Cap - Pressure Testing (Article 2027921)

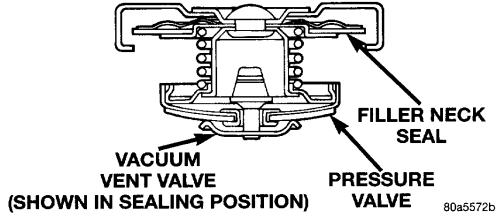


Radiator Cap to Filler Neck Seal - Pressure Relief Check (Article 2027922)

TOP VIEW



CROSS-SECTIONAL VIEW



Radiator Cap - Inspection (Article 2027919)

RADIATOR PRESSURE CAP

Visually inspect the pressure valve gasket on the cap. Replace cap if the gasket is swollen, torn or worn. Inspect the area around radiator filler neck for white deposits that indicate a leaking cap.