

Component Procedures: Bell Housing

Table of Contents

1. Procedures (itype_376)

Component Procedures: Bell Housing

Procedures (itype_376)

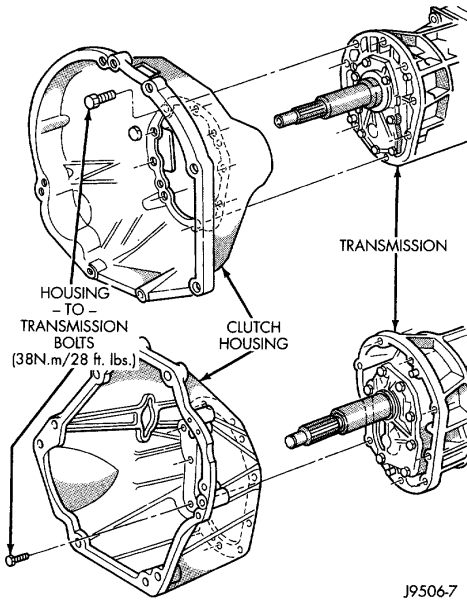


Fig. 8 Clutch Housing Attachment