

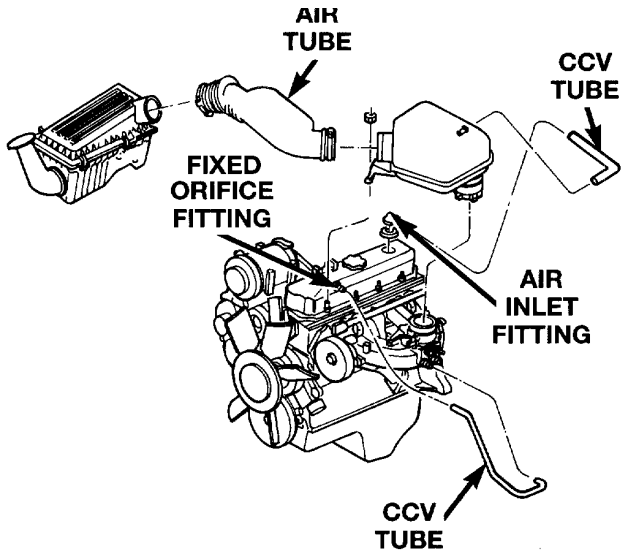
Component Procedures: Positive Crankcase Ventilation

Table of Contents

1. Components (itype_392)

Component Procedures: Positive Crankcase Ventilation

Components (itype_392)



80a4a5d8