

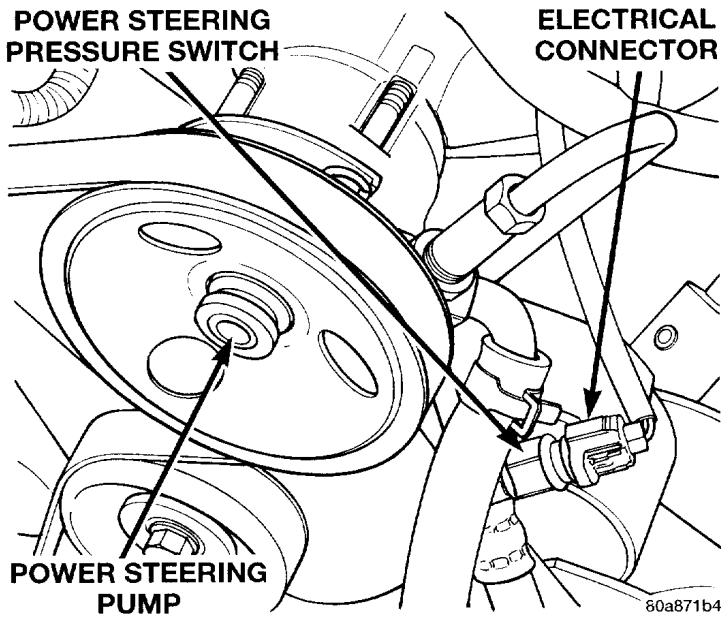
# **Component Procedures: Power Steering Pressure Switch**

## **Table of Contents**

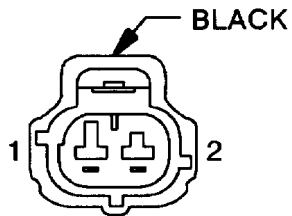
1. Components (itype\_392)
2. Connector Views (itype\_47)
3. Components (itype\_32)
4. Procedures (itype\_376)
5. Mechanical (including Torque) (itype\_28)
6. Component Tests and General Diagnostics (itype\_383)

# Component Procedures: Power Steering Pressure Switch

## Components (itype\_392)



## Connector Views (itype\_47)

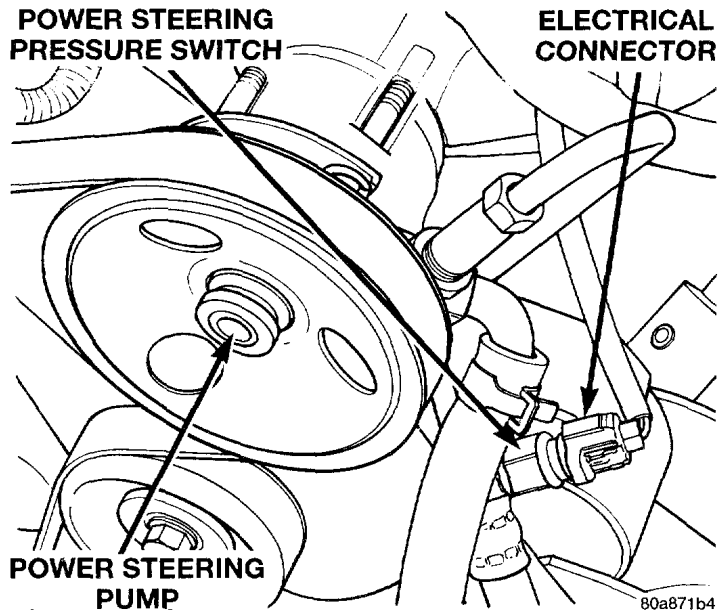


**POWER STEERING PRESSURE SWITCH (2.5L)**

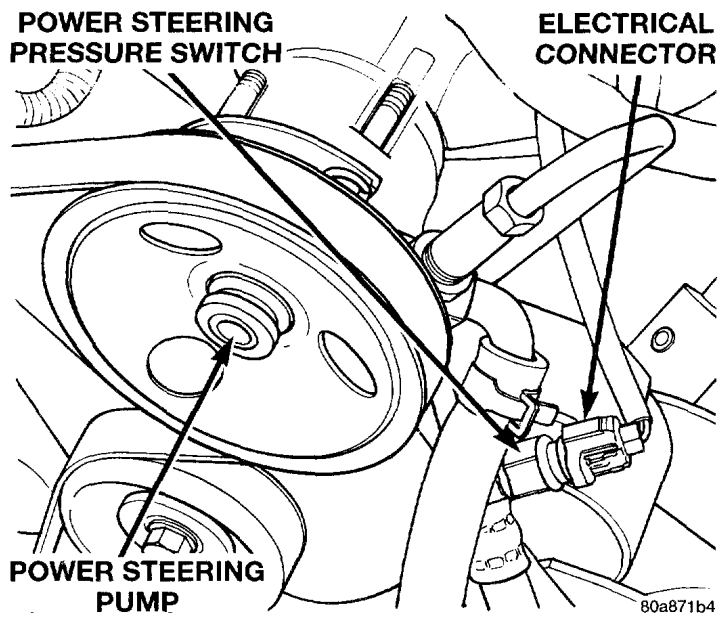
**POWER STEERING PRESSURE SWITCH (2.5L) - BLACK 2 WAY**

CAV	CIRCUIT	FUNCTION
1	Z1 20BK	GROUND
2	K10 18DB/BR	POWER STEERING PRESSURE SWITCH SENSE

## Components (itype\_32)



### Procedures (itype\_376)



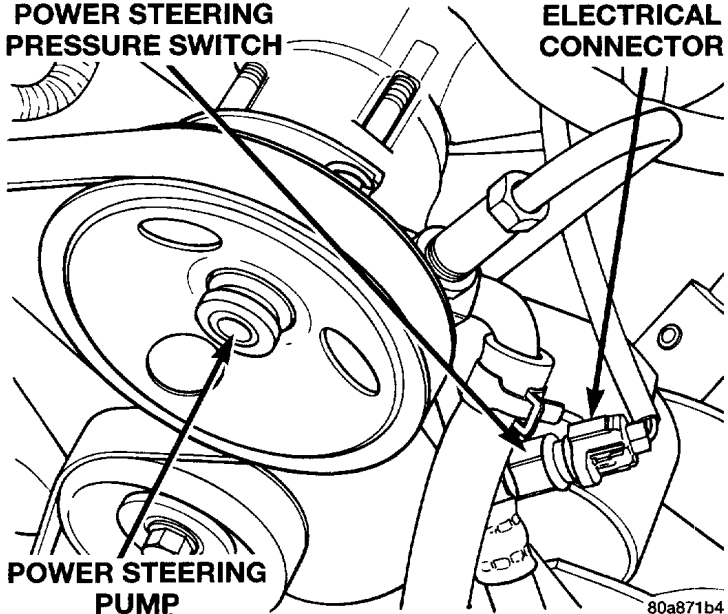
### Mechanical (including Torque) (itype\_28)

Power Steering Switch 14-22 Nm

### Component Tests and General Diagnostics (itype\_383)

**POWER STEERING  
PRESSURE SWITCH**

**ELECTRICAL  
CONNECTOR**



**POWER STEERING  
PUMP**

80a871b4