

Component Procedures: Engine Mount

Table of Contents

1. Parts and Labor (itype_189)
2. Front Mount (Article 2025745)
3. Rear Mount (Article 2025746)
4. Mechanical (including Torque) (itype_28)

Component Procedures: Engine Mount

Parts and Labor (itype_189)

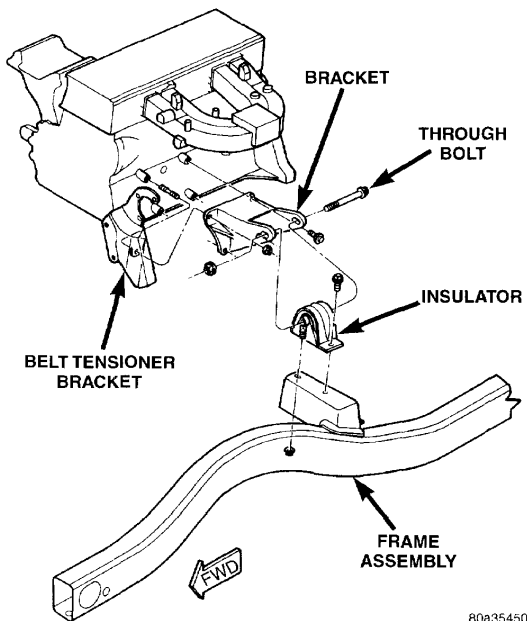
Parts

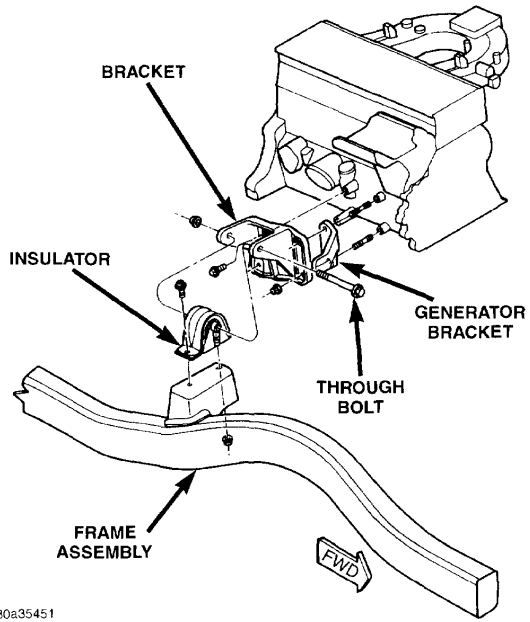
Qualifier	Part #	Name	Price	Note
Front Bracket > On Engine > ?	52018696	Engine Mounts, Front	0.00	
Rear Bracket	52058863	Engine Mounts, Rear	0.00	
Front Mount	52019276AC	Mount	54.75	
Rear Mount	52058551AB	Rear Mount	0.00	

Labor

Operation	Qualifier Path	Skill	Std Hrs	Wty Hrs
Replace	Front Mount > Left Side	B	0.8	0.5
Replace	Front Mount > Right Side	B	0.8	0.5
Replace	Rear Mount > Auto Trans	B	0.9	0.6
Replace	Rear Mount > Manual Trans	B	0.8	0.5

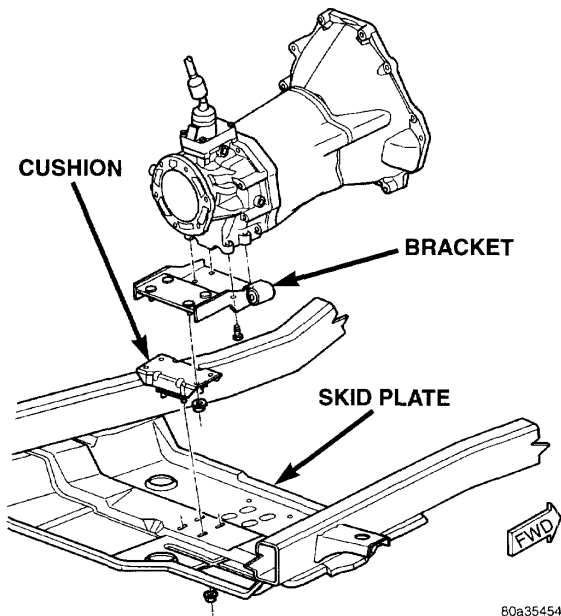
Front Mount (Article 2025745)



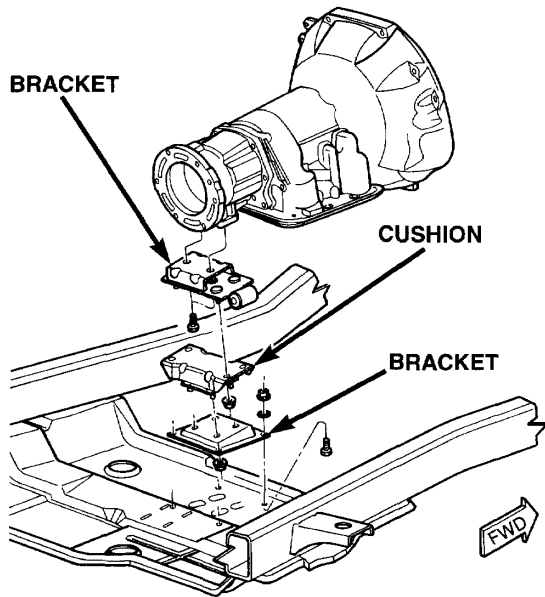


80a35451

Rear Mount (Article 2025746)



80a35454



80a35455

Mechanical (including Torque) (itype_28)

Engine Mount s-Front Insulator Bracket Bolts 60 ft.lb

Insulator Bracket Nuts 35 ft.lb

Insulator Thru-Bolt 60 ft.lb

Engine Mounts-Rear Support Cushion/Crossmember Nuts 192 in.lb

Support Cushion/Bracket Nuts 34 ft.lb

Transmission support Bracket Bolts 32 ft.lb

Transmission Support Bracket/Cushion Bolt 55 ft.lb

Transmission Support Adaptor Bracket Bolts 55 ft.lb