

# **Component Procedures: Exhaust Pipe**

## **Table of Contents**

1. Parts and Labor (itype\_189)
2. Catalytic Converter/Exhaust Pipe Replacement (Article 2071029)
3. Tailpipe Replacement (Article 2071027)
4. Mechanical (including Torque) (itype\_28)

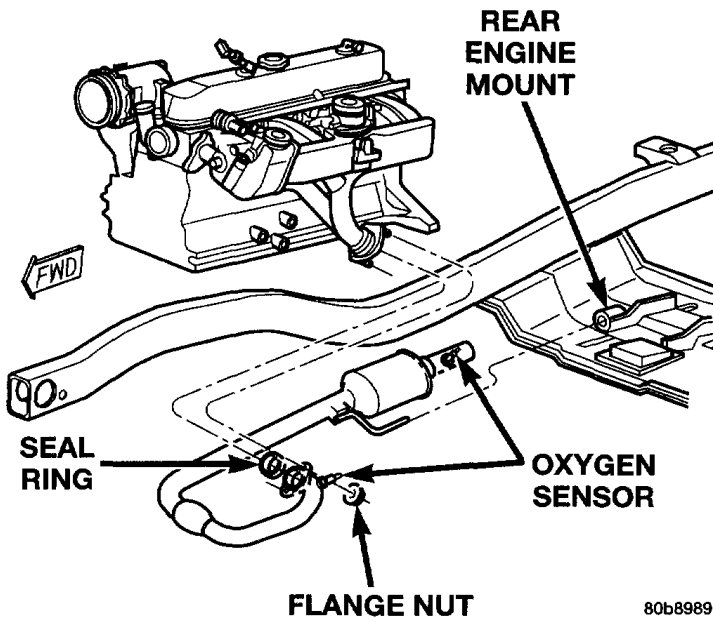
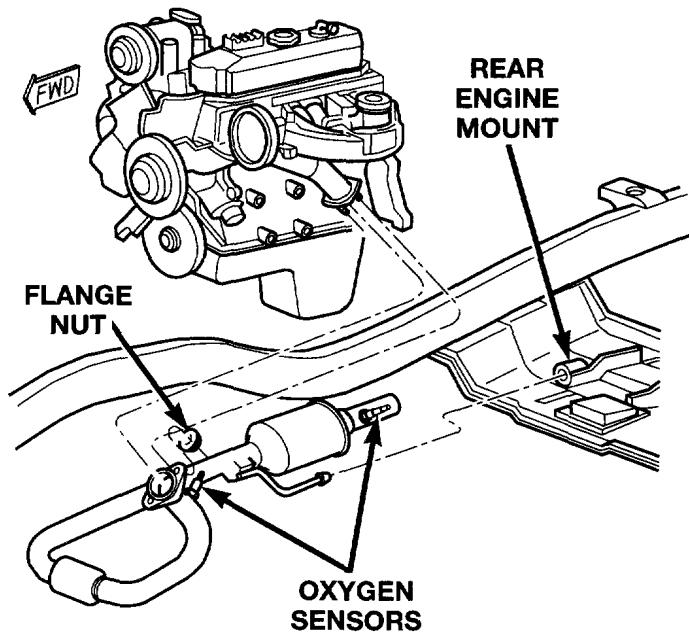
# Component Procedures: Exhaust Pipe

## Parts and Labor (itype\_189)

### Labor

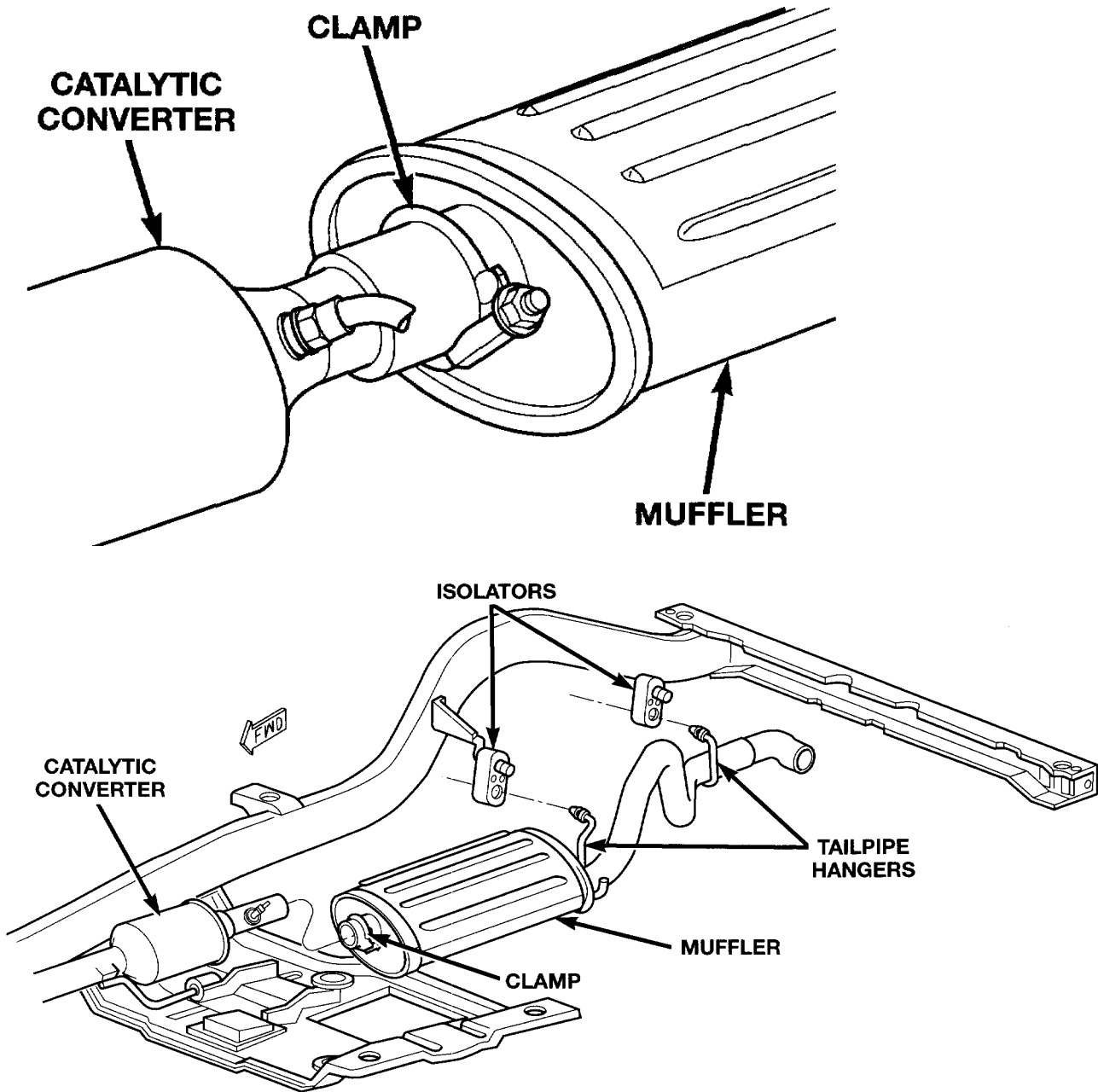
Operation	Qualifier Path	Skill	Std Hrs	Wty Hrs
Replace	Exhaust Pipe	C	1.0	0.8
Replace	Extension Pipe	C	1.3	1.1
Replace	Tail Pipe	C	0.5	0.4

## Catalytic Converter/Exhaust Pipe Replacement (Article 2071029)



80b89897

## Tailpipe Replacement (Article 2071027)



80b46c17

**Mechanical (including Torque) (itype\_28)**

Exhaust Pipe To Manifold Nuts 23 ft.lb