

# **Component Procedures: Cigarette Lighter**

## **Table of Contents**

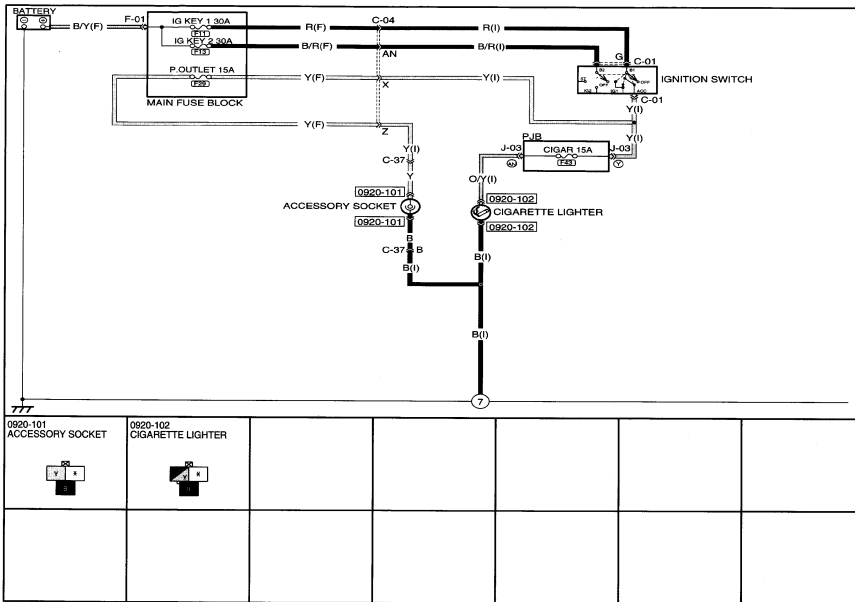
1. Electrical (OE) (itype\_21)
2. Removal and Replacement (itype\_401)
3. Component Tests and General Diagnostics (itype\_383)

# Component Procedures: Cigarette Lighter

## Electrical (OE) (itype\_21)

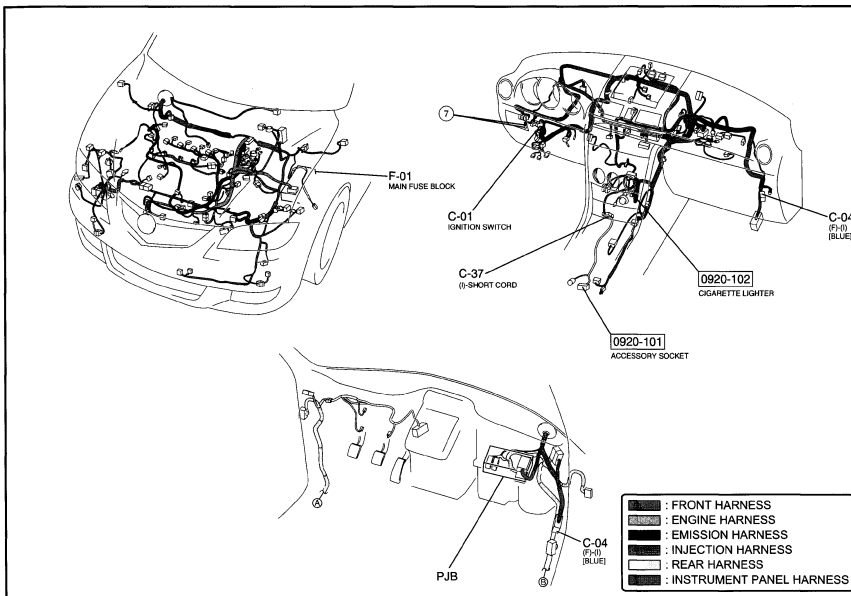
ACCESSORY SOCKET/CIGARETTE LIGHTER

0920-1



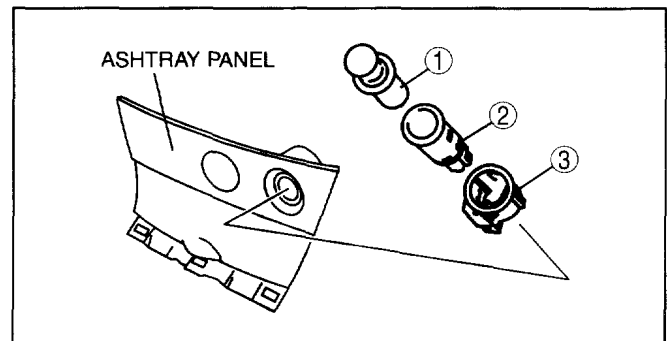
ACCESSORY SOCKET/CIGARETTE LIGHTER

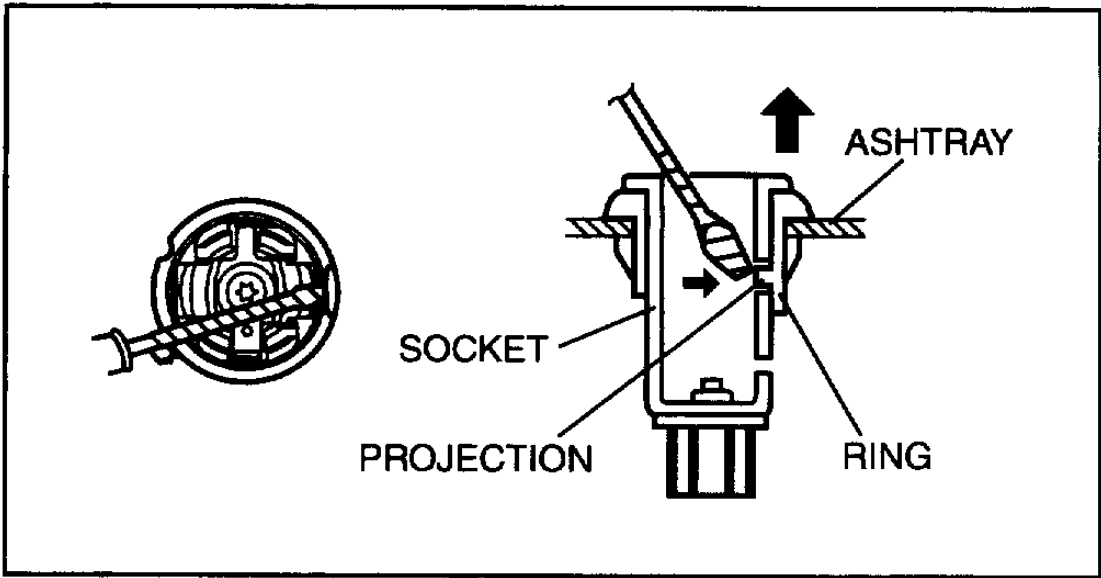
0920-1



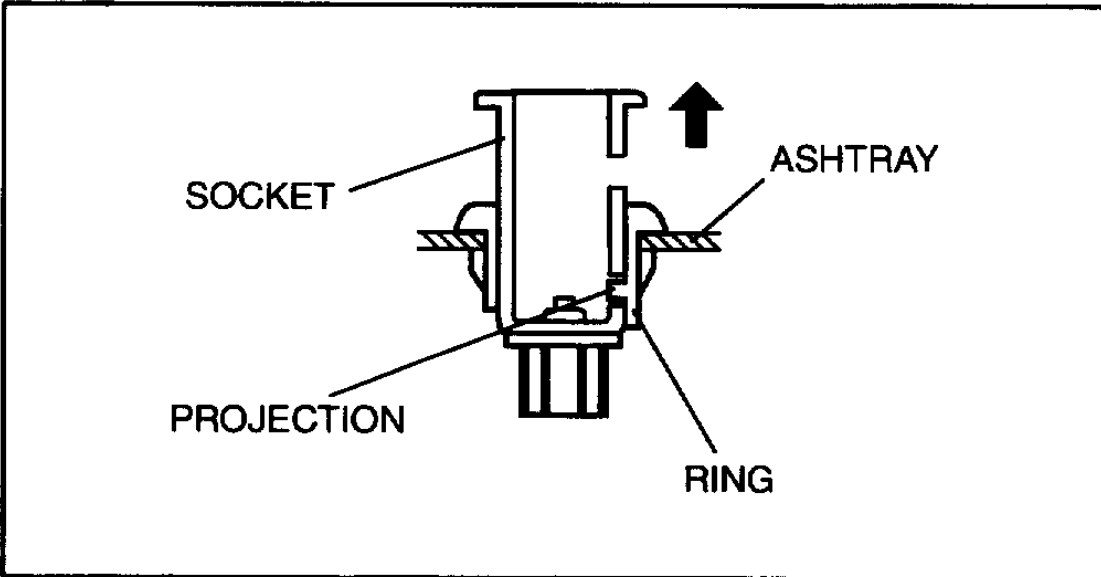
## Removal and Replacement (itype\_401)

|   |                        |
|---|------------------------|
| 1 | Cigarette lighter plug |
| 2 | Socket                 |
| 3 | Ring                   |

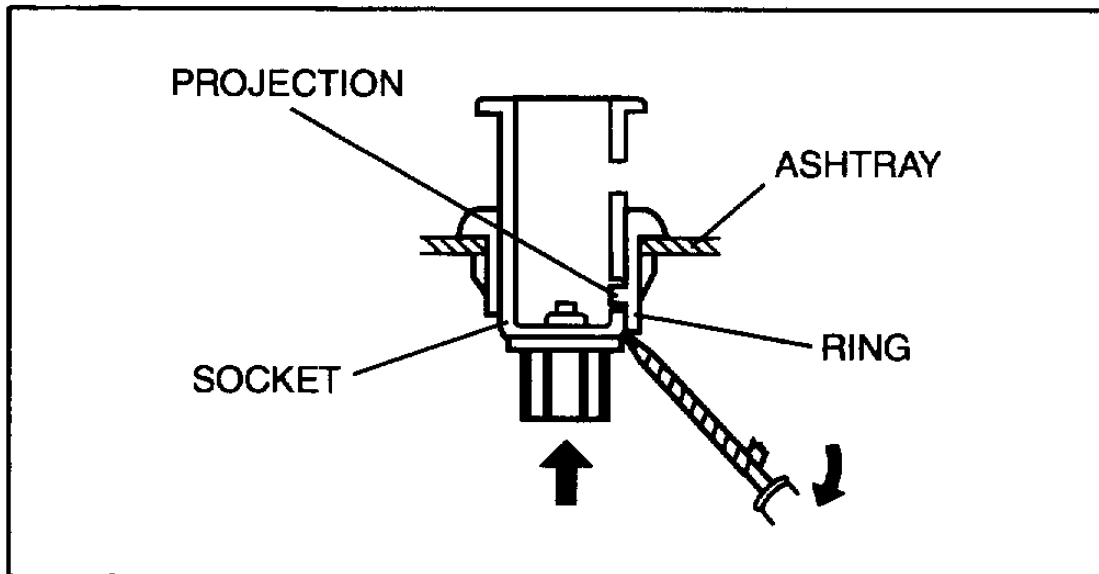




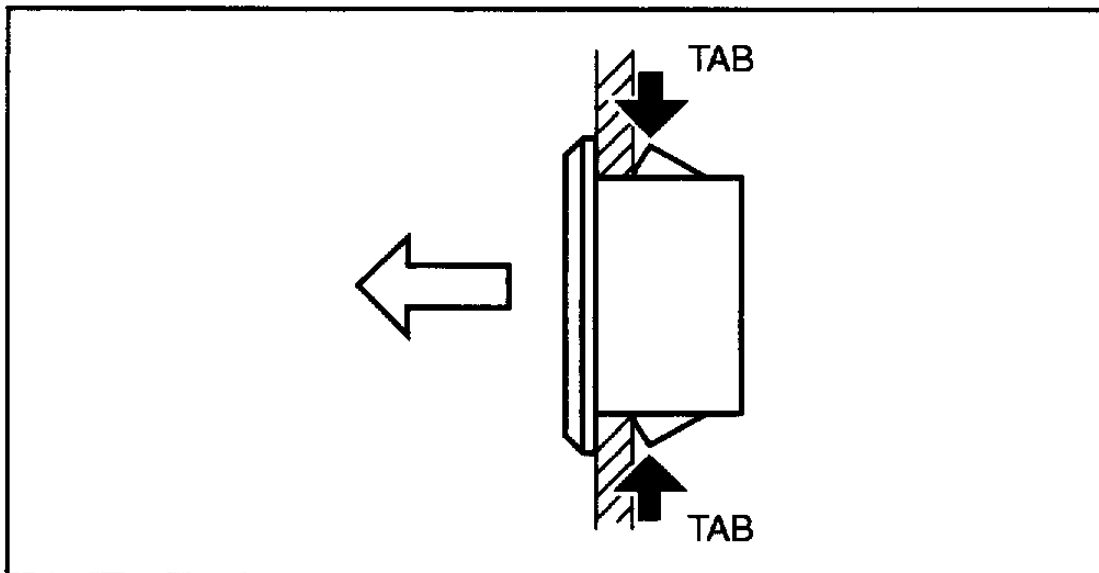
am3uuw0000085



am3uuw0000085



am3uuw0000085



am3uuw0000085

### Component Tests and General Diagnostics (itype\_383)

#### CIGARETTE LIGHTER INSPECTION

1. Turn the ignition switch to the ACC position.
  2. Press the cigarette lighter into the socket and verify that it returns to its original position in 10 - 20 s
- If the cigarette lighter does not operate normally, replace the cigarette lighter and the socket.