

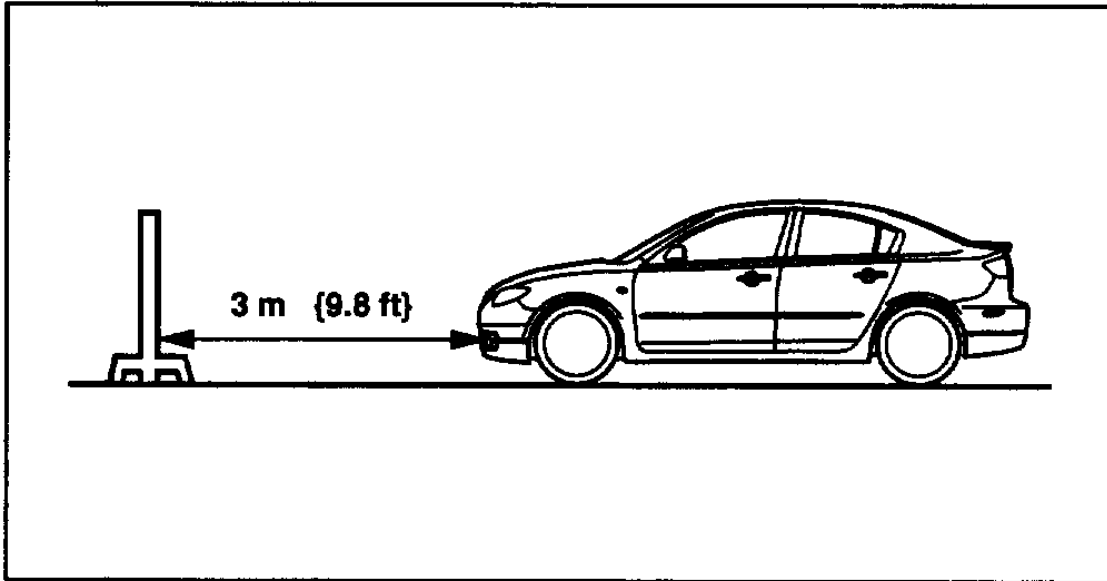
Component Procedures: Fog/Driving Lamp

Table of Contents

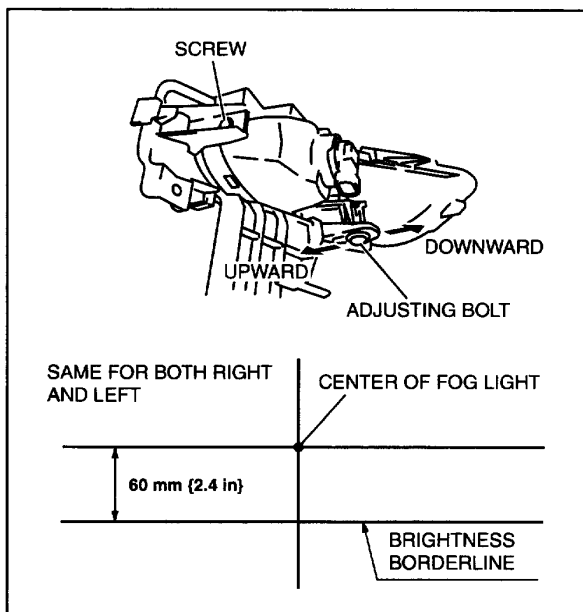
1. Adjustments (itype_5)
2. Parts and Labor (itype_189)
3. Electrical (OE) (itype_21)
4. Removal and Replacement (itype_401)

Component Procedures: Fog/Driving Lamp

Adjustments (itype_5)



B3E0918W113



c3u918zw7001

Parts and Labor (itype_189)

Parts

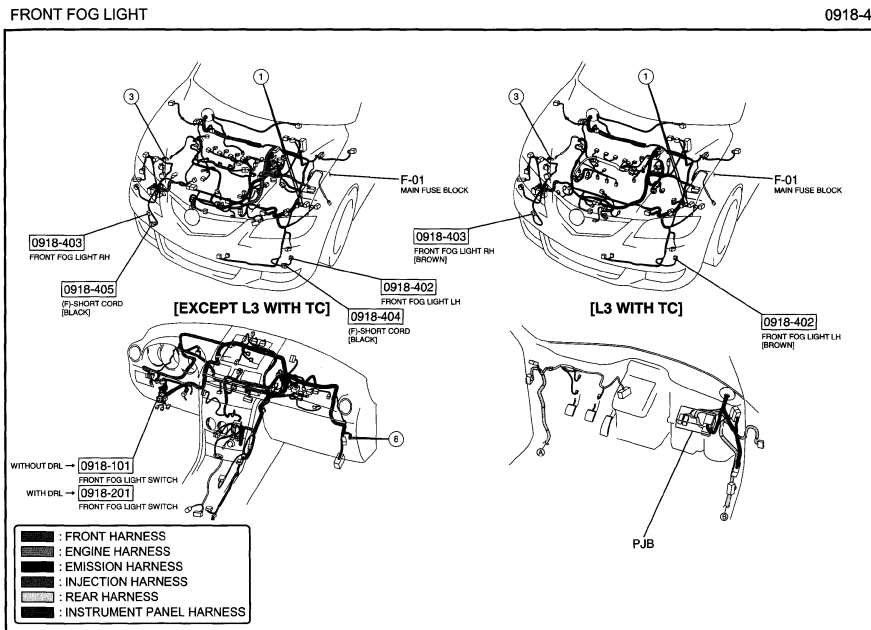
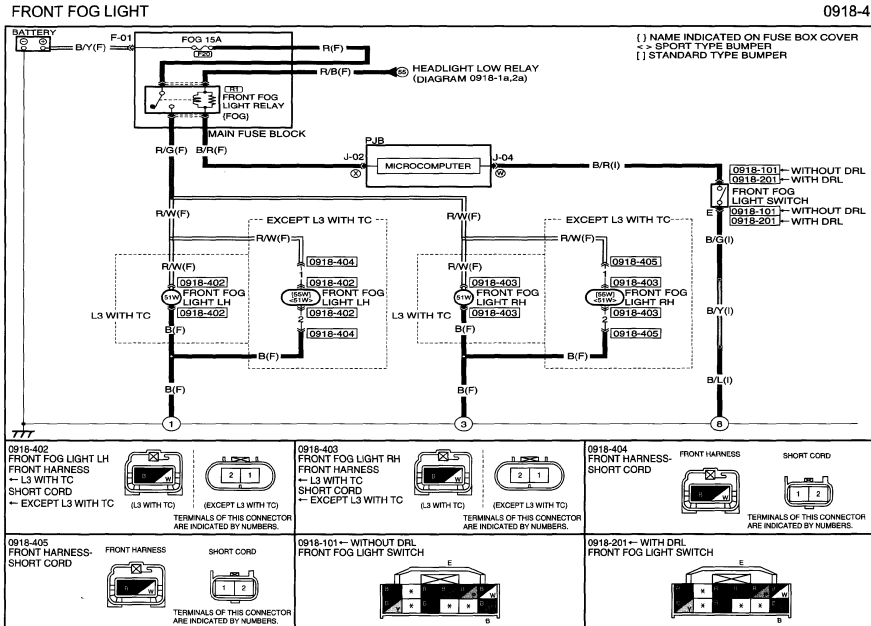
Qualifier	Part #	Name	Price	Note
Fog Lamp Assembly > 4 Door >?	BAN751680B	Fog Lamp Assy	249.47	
Fog Lamp Assembly > 4 Door >?	BAP151680C	Fog Lamp Assy	518.36	
Fog Lamp Assembly > 4 Door >?	BAN751690B	Fog Lamp Assy	212.02	
Fog Lamp Assembly > 4 Door >?	BAP151690C	Fog Lamp Assy	518.36	
Fog Lamp Assembly > 5 Door >?	BAP851680B	Fog Lamp Assy	489.96	
Fog Lamp Assembly > 5 Door >?	BAP851690B	Fog Lamp Assy	489.96	

Labor

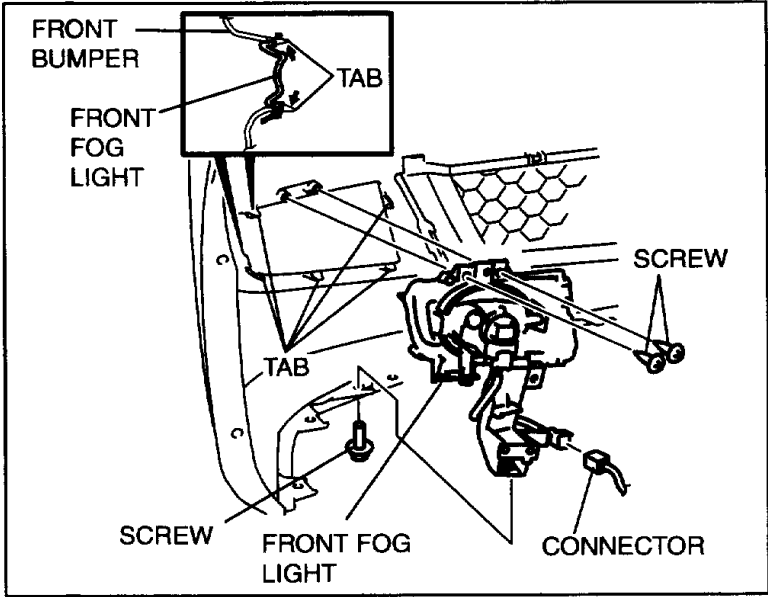
Operation	Qualifier Path	Skill	Std Hrs	Wty Hrs

Replace	One Side	B	0.7	0.5
Replace	Both Sides	B	0.9	0.7

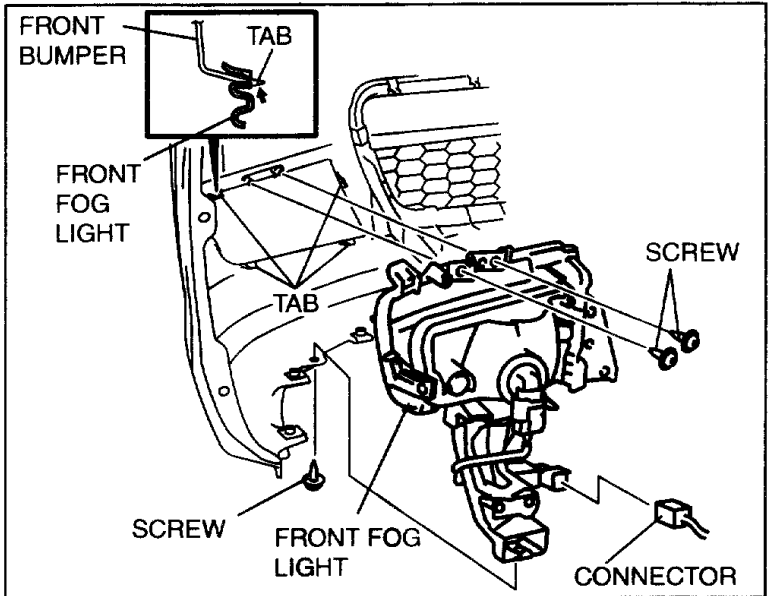
Electrical (OE) (itype_21)



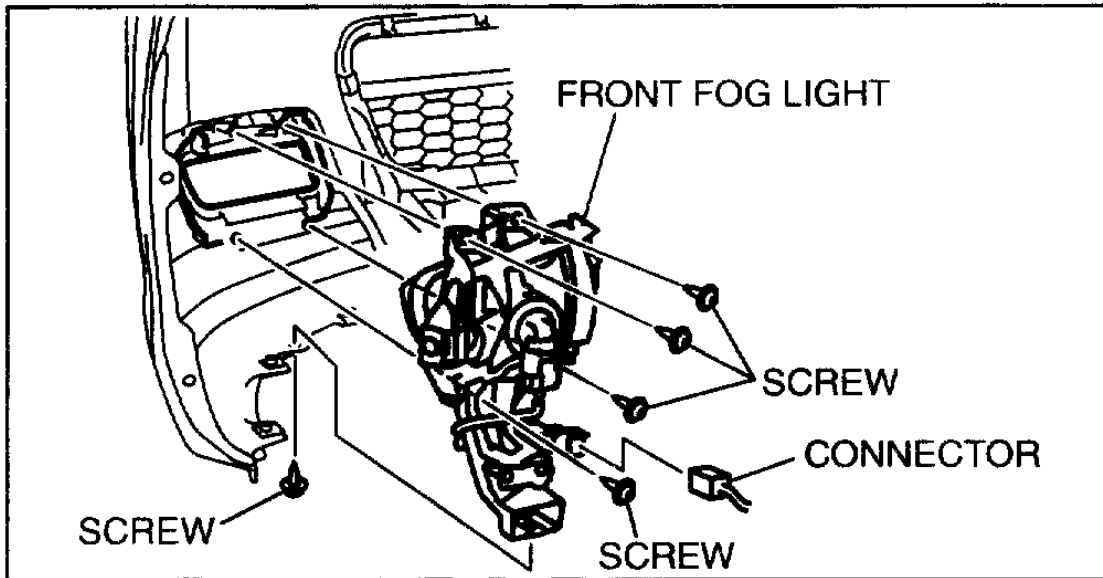
Removal and Replacement (itype_401)



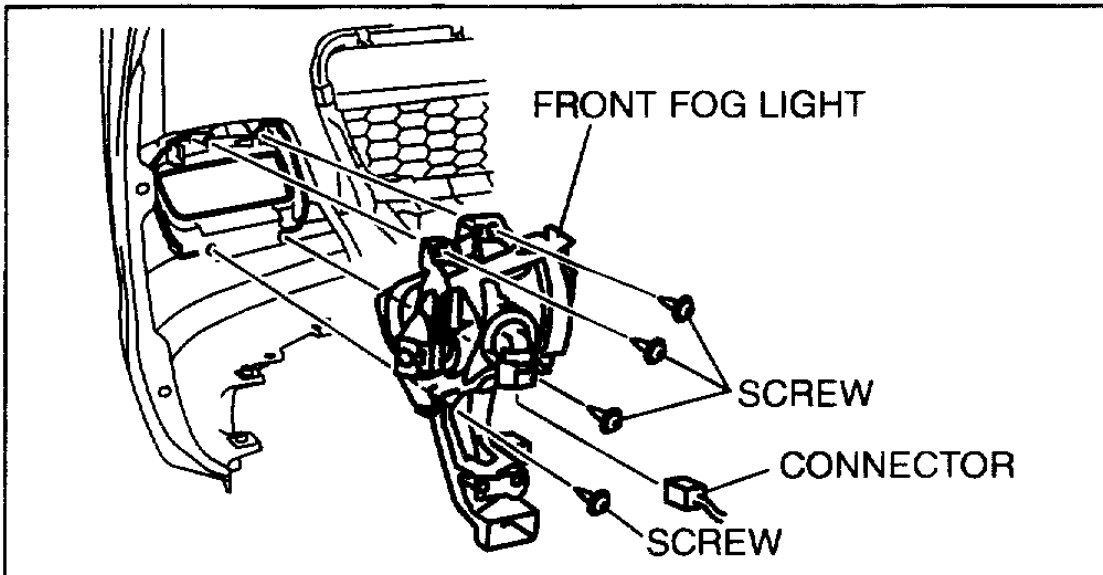
am3zzw0000262



am3zzw0000262



am3zzw0000183



am3uuw0000086