

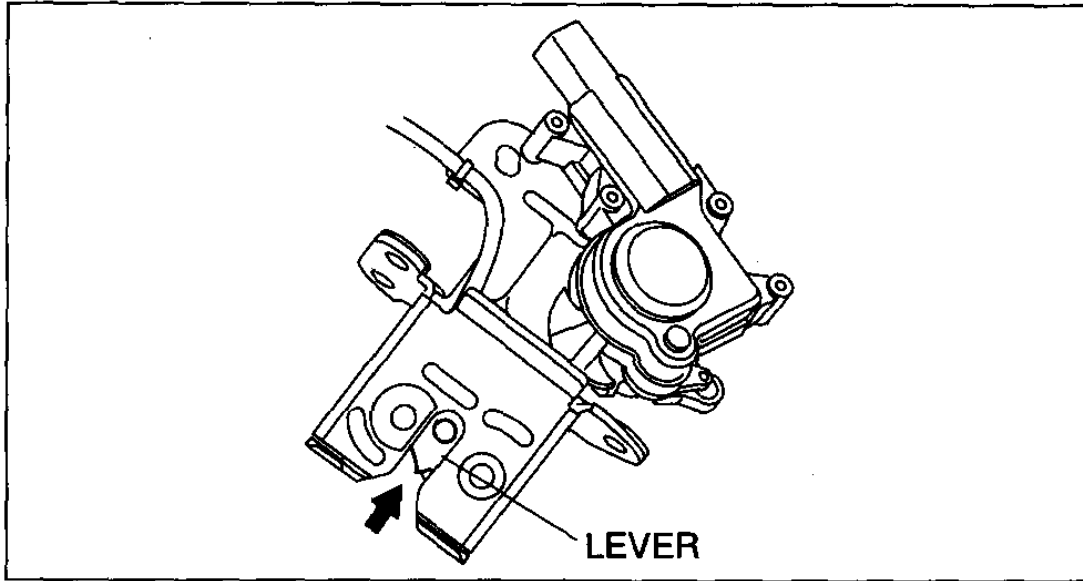
# **Component Procedures: Trunk / Liftgate Switch**

## **Table of Contents**

1. Liftgate Latch Switch (Article 1440255)
2. Trunk Lid Latch Switch (Article 1440256)

# Component Procedures: Trunk / Liftgate Switch

## Liftgate Latch Switch (Article 1440255)

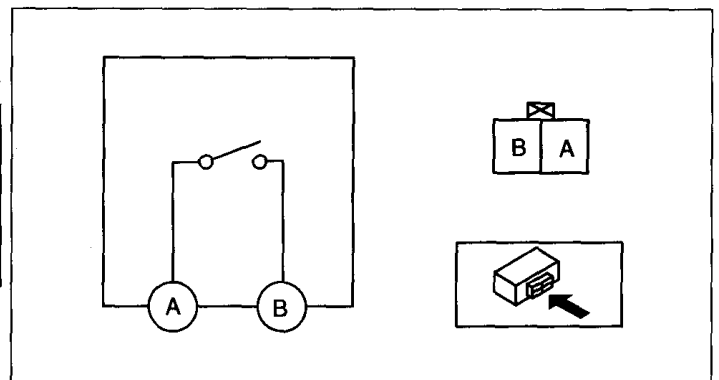


B3E0914W038

○—○ : Continuity

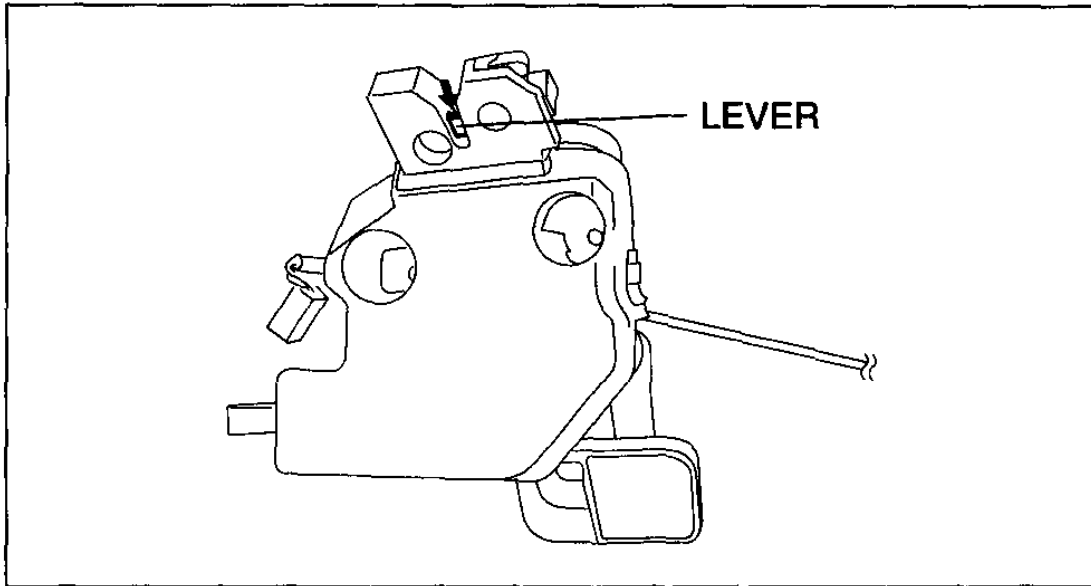
Latch condition	Terminal	
	A	B
Latch (liftgate is closed)		
Unlatch (liftgate is open)	○—○	○—○

B3E0914W021



C3U0914W024

## Trunk Lid Latch Switch (Article 1440256)

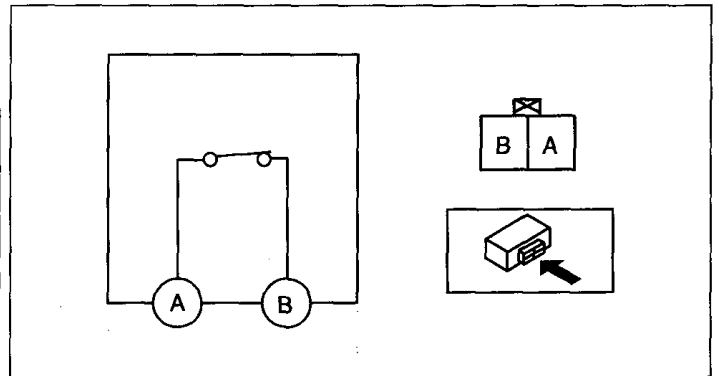


c3u0914w021

○—○ : Continuity

Latch condition	Terminal	
	A	B
Latch (trunk lid is closed)		
Unlatch (trunk lid is open)	○—○	○—○

B3E0914W019



c3u0914w025