

Component Procedures: Windshield Washer Relay

Table of Contents

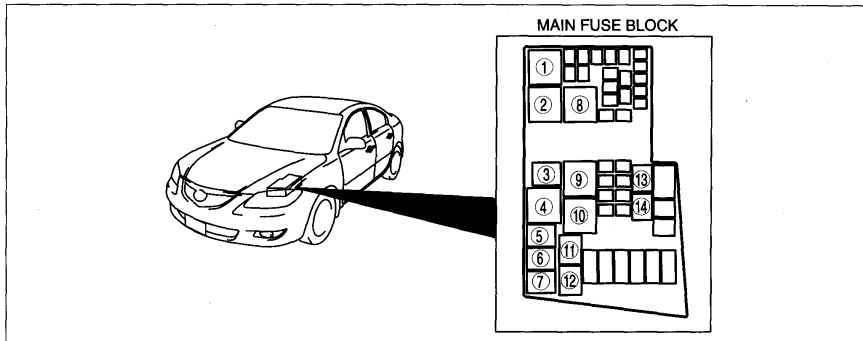
1. Components (itype_32)
2. Component Tests and General Diagnostics (itype_383)

Component Procedures: Windshield Washer Relay

Components (itype_32)

RELAY LOCATION

id092100800600



c3u0921w001

1	Main relay
2	Starter relay
3	A/C relay
4	Blower relay (L3 with TC)
5	Injector driver relay (L3 with TC)
6	AT main relay (FS5A-EL)
7	Drive-by-wire relay
8	Horn relay
8	Rear washer relay (L3 with TC)

9	DRL relay (L3 with TC)
	Blower relay (except L3 with TC)
10	Headlight cleaner relay (L3 with TC)
	Rear washer relay (except L3 with TC)
11	Rear window defroster relay
12	Front fog light relay
13	Fuel pump relay No.2 (L3 with TC)
	DRL relay (except L3 with TC)
	Headlight cleaner relay (except L3 with TC)
14	Fuel pump relay

Component Tests and General Diagnostics (itype_383)

RELAY INSPECTION

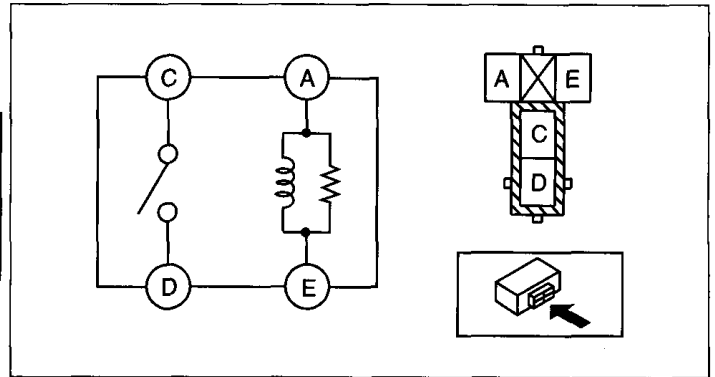
Relay type

Terminal type	Part name
4 terminals	Type A <ul style="list-style-type: none"> • A/C relay • AT main relay • Injector driver relay • Drive-by-wire relay • Horn relay • Rear window defroster relay • Front fog light relay • Headlight cleaner relay (except L3 with TC) • DRL relay (except L3 with TC) • Fuel pump relay • Fuel pump relay No.2
	Type B <ul style="list-style-type: none"> • Main relay • Starter relay • Blower relay • Rear washer relay • DRL relay (L3 with TC) • Headlight cleaner relay (L3 with TC)

○—○ : Continuity

Step	Terminal			
	A	E	C	D
1	○—○			
2	B+	GND	○—○	

am8rrw00000328

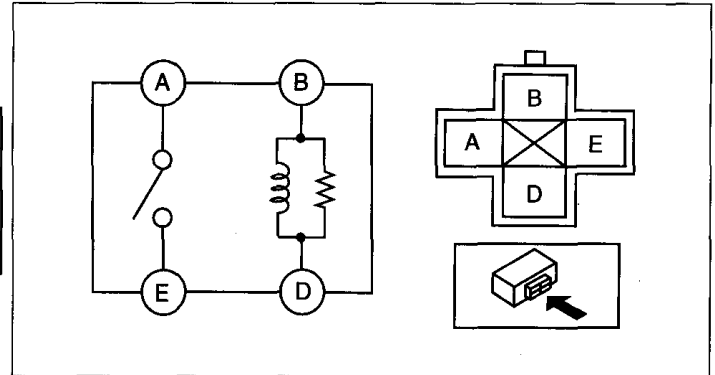


am8rrw00000327

○—○ : Continuity

Step	Terminal			
	B	D	A	E
1	○—○			
2	B+	GND	○—○	

am8rrw00000330



am8rrw00000329