

Component Procedures: Coolant Temperature Sensor/Switch (For Computer)

Table of Contents

1. Parts and Labor (itype_189)
2. Components (itype_32)
3. Removal and Replacement (itype_401)

Component Procedures: Coolant Temperature Sensor/Switch (For Computer)

Parts and Labor (itype_189)

Parts

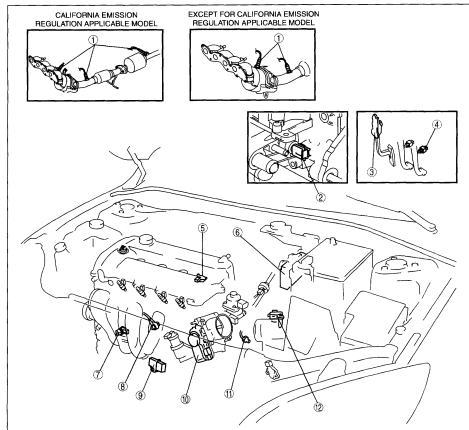
Qualifier	Part #	Name	Price	Note
Coolant Temp Sensor	LF0118840A	Coolant Temp Sensor	26.43	

Labor

Operation	Qualifier Path	Skill	Std Hrs	Wty Hrs
Replace	Coolant Temp Sensor, R&R	B	1.2	0.9

Components (itype_32)

CONTROL SYSTEM LOCATION INDEX(LF, L3) 001400884100

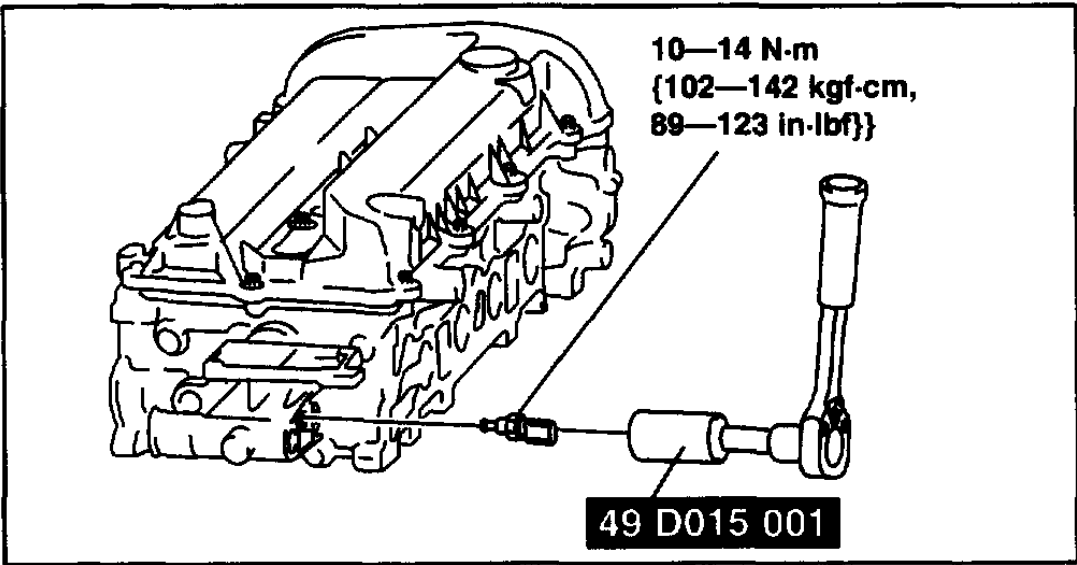


1	HCDS	5	CMP sensor
2	ECT sensor	6	PCM (built-in BARO sensor)
3	APP sensor	7	CKP sensor
4	CPP switch (MTX)		

8	KS
9	MAP sensor
10	TP sensor

11	Neutral switch (MTX)
12	MAF/IAT sensor

Removal and Replacement (itype_401)



c3u0140w051