

Component Procedures: Variable Induction Control Actuator

Table of Contents

1. All Technical Service Bulletins (itype_100)
2. Customer Interest Bulletins (itype_109)
3. Variable Intake Air Shutter Valve Actuator Inspection (Article 1358383)
4. Variable Tumble Shutter Valve Actuator Inspection (Article 1358382)
5. New / Updated Parts (itype_117)

Component Procedures: Variable Induction Control Actuator

All Technical Service Bulletins (itype_100)

Tsbs

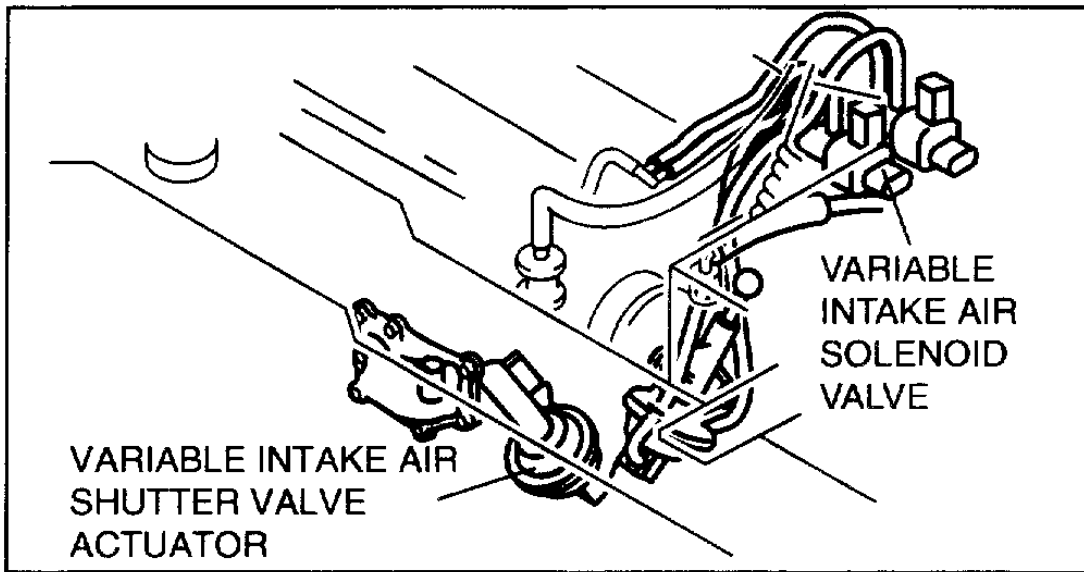
- Engine/Fuel - MIL ON/DTC P2006 Stored (0100611, 2011/02/09)

Customer Interest Bulletins (itype_109)

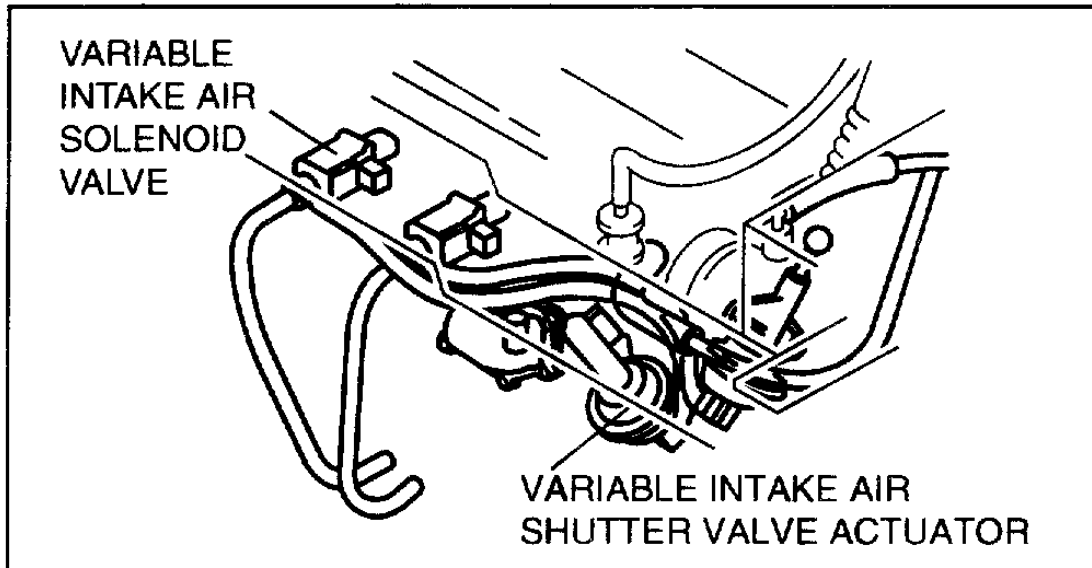
Tsbs

- Engine/Fuel - MIL ON/DTC P2006 Stored (0100611, 2011/02/09)

Variable Intake Air Shutter Valve Actuator Inspection (Article 1358383)



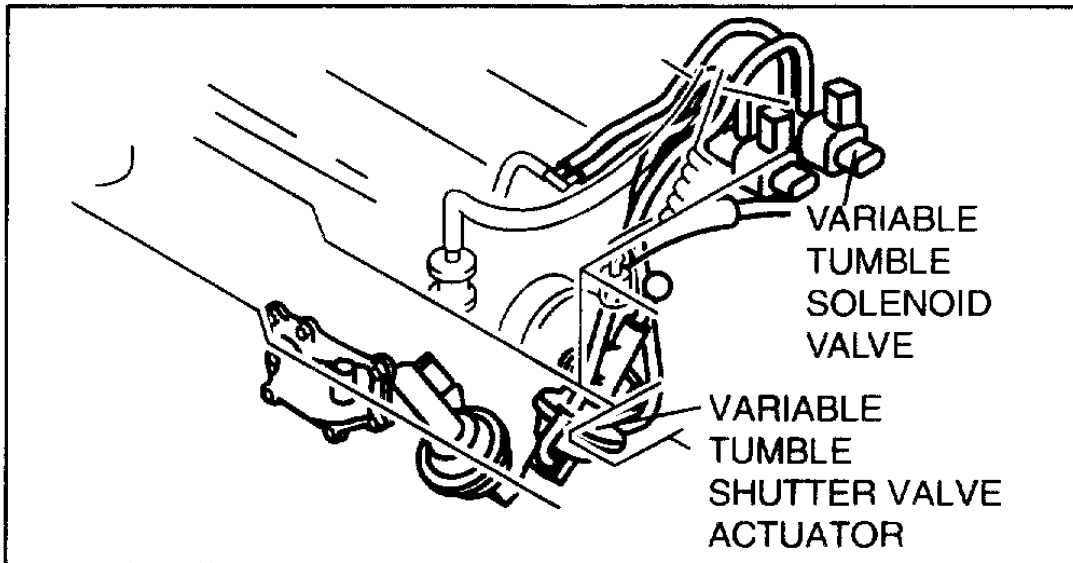
E3U113ZW6008



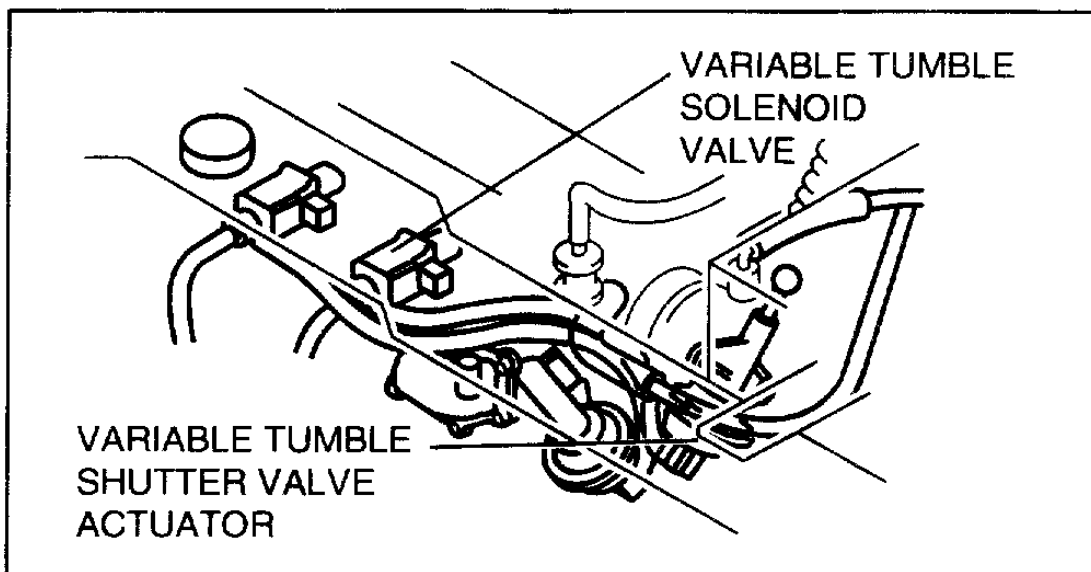
E3U113ZW6009

| Vacuum kPa {mmHg, inHg} | Rod movement |
|----------------------------|--------------|
| Below -2.7 {-21, -0.9} | Not operate |
| Above -33.4 {-251, -9.89} | Fully pulled |

Variable Tumble Shutter Valve Actuator Inspection (Article 1358382)



C3U0113W016



C3U0113W017

| Vacuum kPa {mmHg, inHg} | Rod movement |
|------------------------------------|---------------------|
| Below -2.7 {-21, -0.9} | No operate |
| Above -33.4 {-251, -9.89} | Fully pulled |

New / Updated Parts (itype_117)

Tsbs

- Engine/Fuel - MIL ON/DTC P2006 Stored (0100611, 2011/02/09)