

Component Procedures: Fuel Door Release Cable

Table of Contents

1. Parts and Labor (itype_189)
2. Removal and Replacement (itype_401)

Component Procedures: Fuel Door Release Cable

Parts and Labor (itype_189)

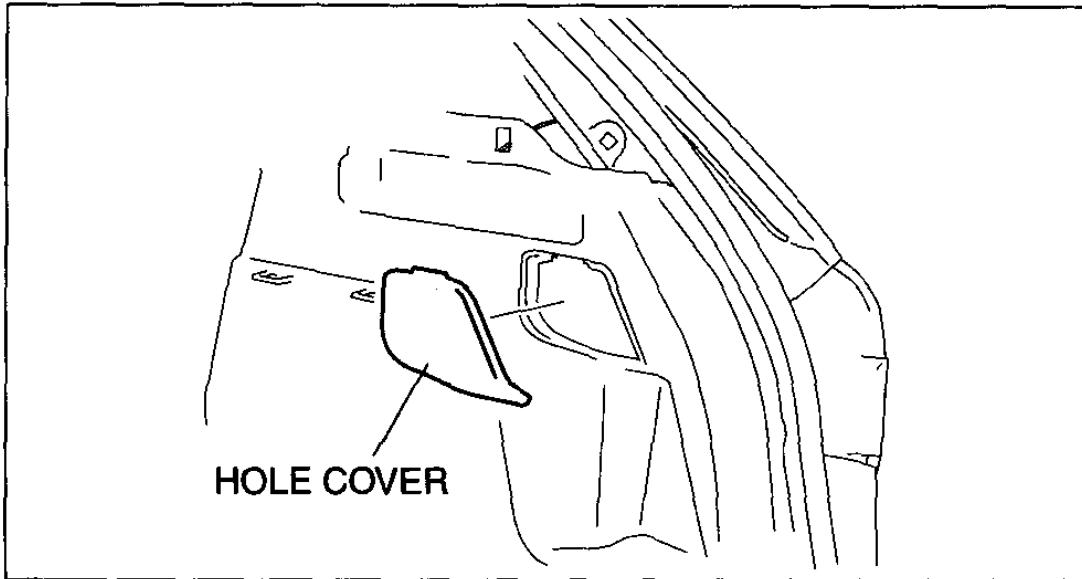
Parts

Qualifier	Part #	Name	Price	Note
Release Cable > 4 Door	BN8P56880C	Release Cable	38.56	APH686
Release Cable > 5 Door	BP4K56880D	Release Cable	25.91	APH686

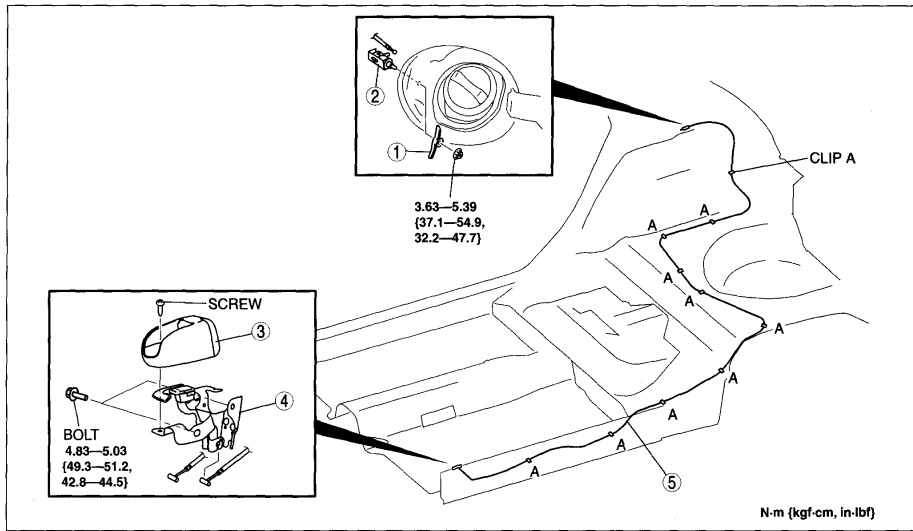
Labor

Operation	Qualifier Path	Skill	Std Hrs	Wty Hrs
Replace	Release Cable, R&R	B	1.0	0.0

Removal and Replacement (itype_401)



B3E0914W046



C3U0914W010

1	Lift spring
2	Fuel-filler lid opener
3	Opener lever cover

4	Fuel-filler lid opener lever and trunk lid opener lever
5	Fuel-filler lid opener cable