

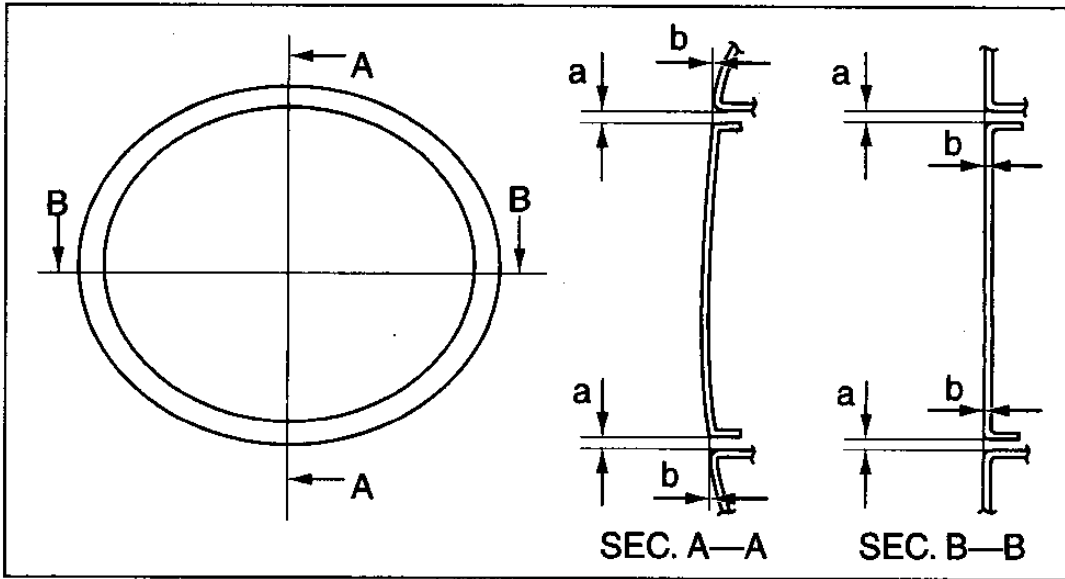
Component Procedures: Fuel Door

Table of Contents

1. Adjustments (itype_5)
2. Removal and Replacement (itype_401)

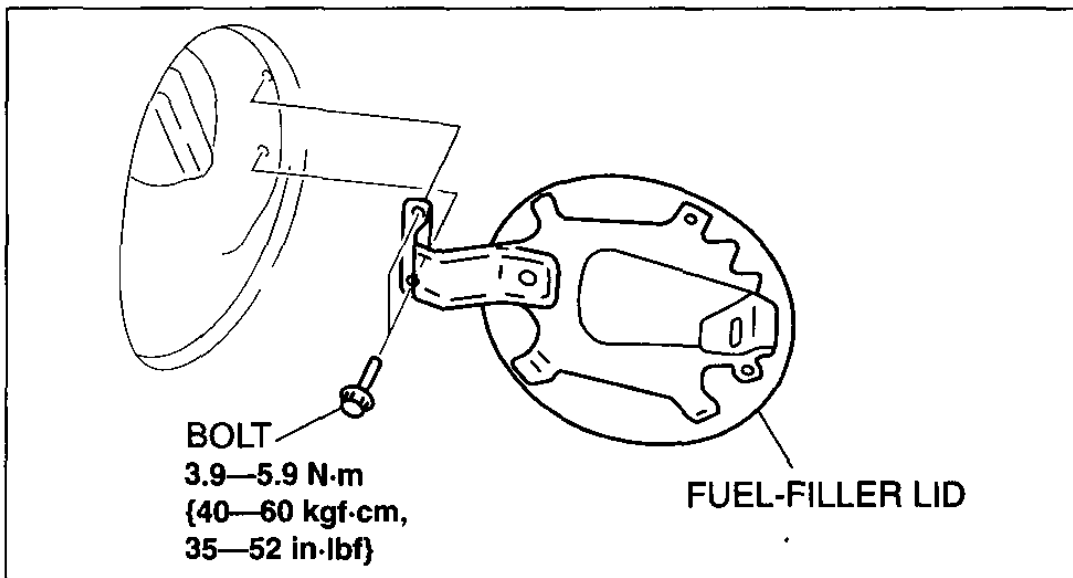
Component Procedures: Fuel Door

Adjustments (itype_5)



am3uuw0000044

Removal and Replacement (itype_401)



am3uuw0000044