

# Component Procedures: Air Door Actuator / Motor

## Table of Contents

1. Parts and Labor (itype\_189)
2. HVAC Control System (Article 1448343)
3. Air Intake Actuator (Article 1443483)
4. Air Mix Actuator (Article 1443484)
5. Airflow Mode Actuator (Article 1443487)
6. Air Intake Actuator (Article 1414176)
7. Air Mix Actuator (Article 1434382)
8. Airflow Mode Actuator (Article 1414473)

# Component Procedures: Air Door Actuator / Motor

## Parts and Labor (itype\_189)

### Labor

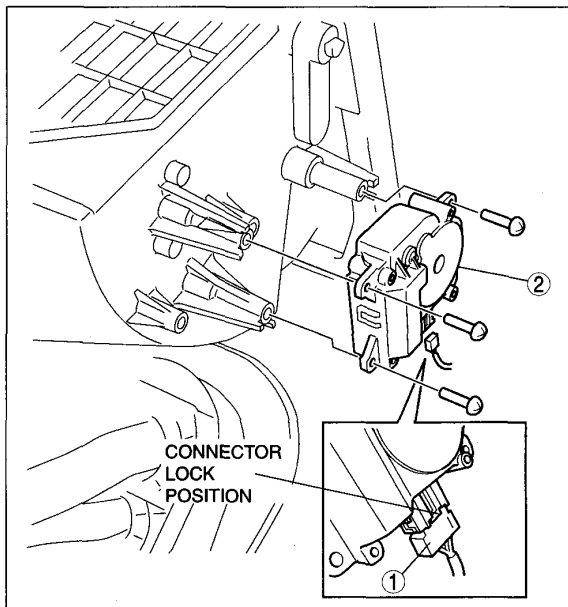
Operation	Qualifier Path	Skill	Std Hrs	Wty Hrs
Replace	Link Kit > Temperature Control	B	4.4	3.2
Replace	Mode Door	B	0.5	0.3
Replace	Temp Door	B	4.1	2.9

## HVAC Control System (Article 1448343)

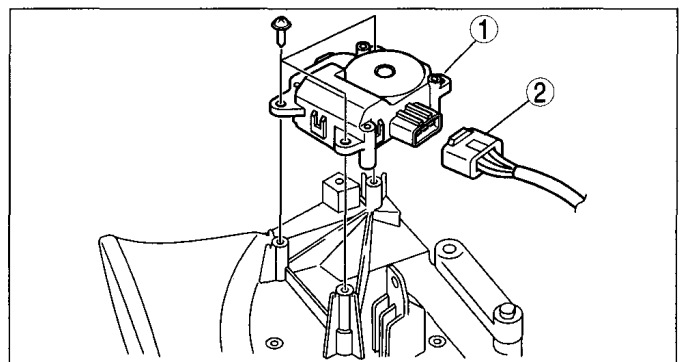
### Non Standards

- Full-Auto Air Conditioner (1448344)
- Manual Air Conditioner (1448345)

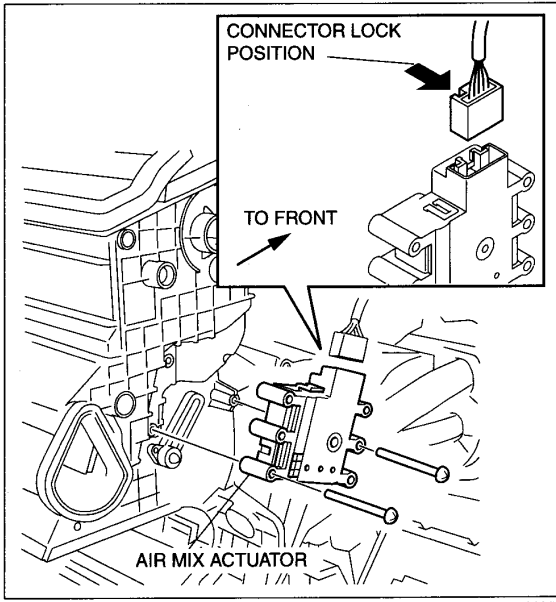
## Air Intake Actuator (Article 1443483)



1	Air intake actuator connector
2	Air intake actuator

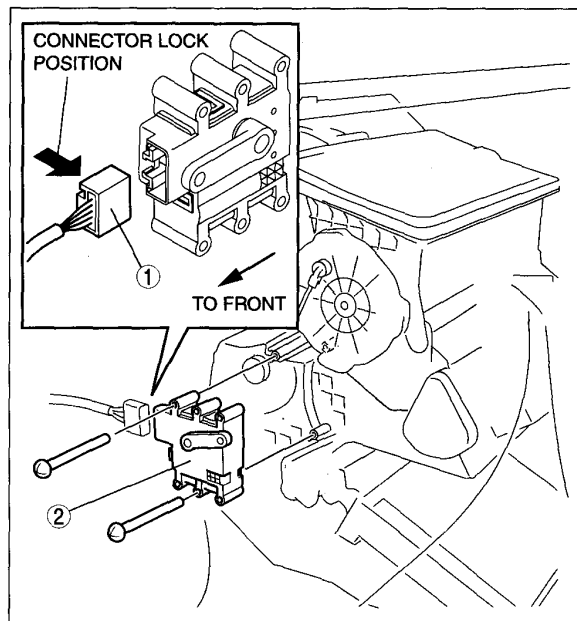


## Air Mix Actuator (Article 1443484)

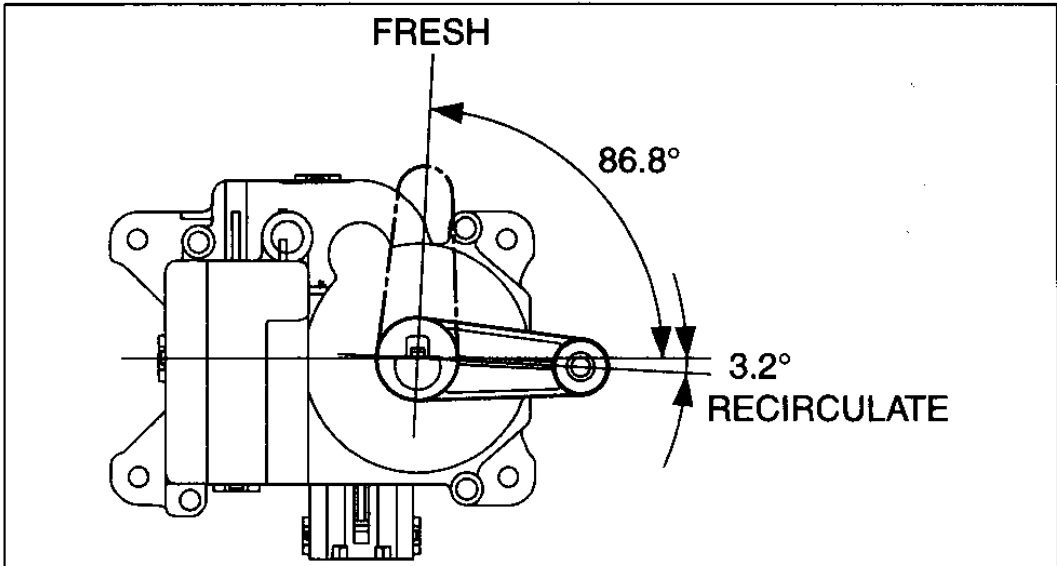


### Airflow Mode Actuator (Article 1443487)

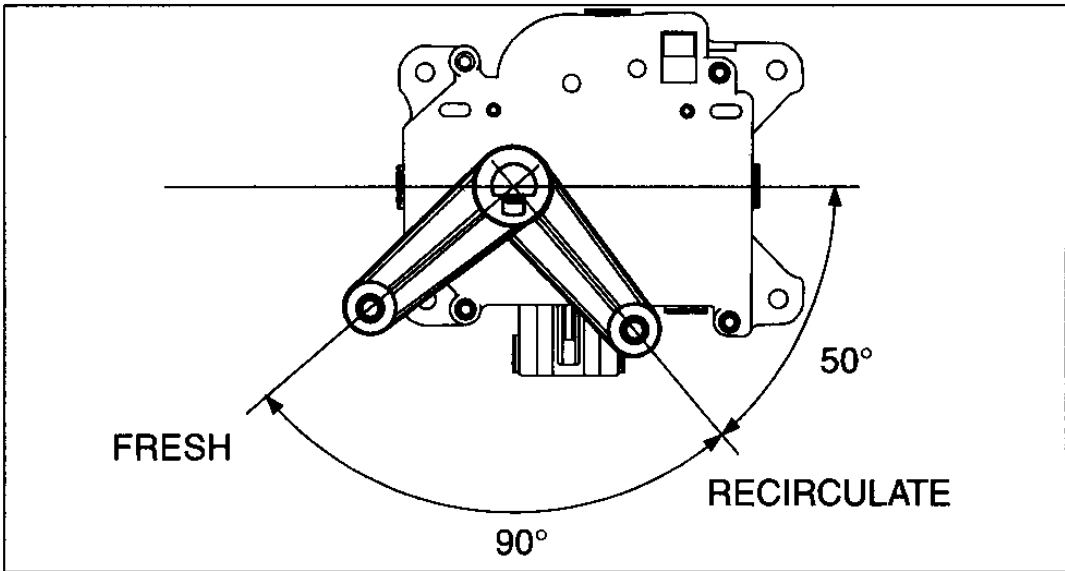
1	Airflow mode actuator connector
2	Airflow mode actuator



### Air Intake Actuator (Article 1414176)

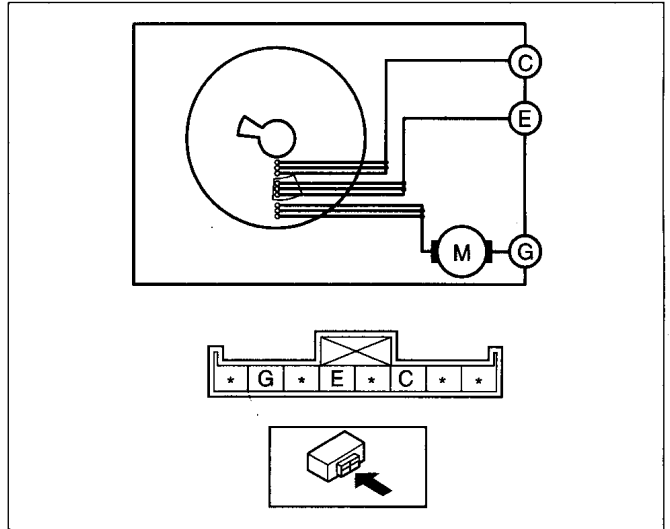


am3uuw0000063



am3uuw0000063

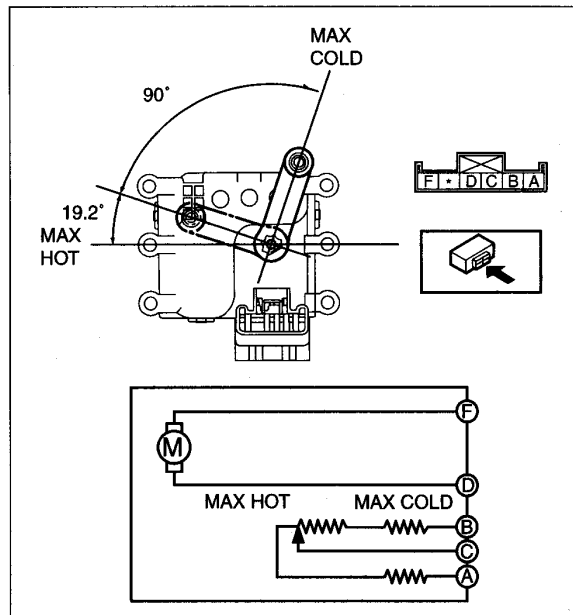
Terminal			Air intake actuator operation
C	E	G	
B+	-	Ground	FRESH → RECIRCULATE
-	Ground	B+	RECIRCULATE → FRESH



am3uuw000063

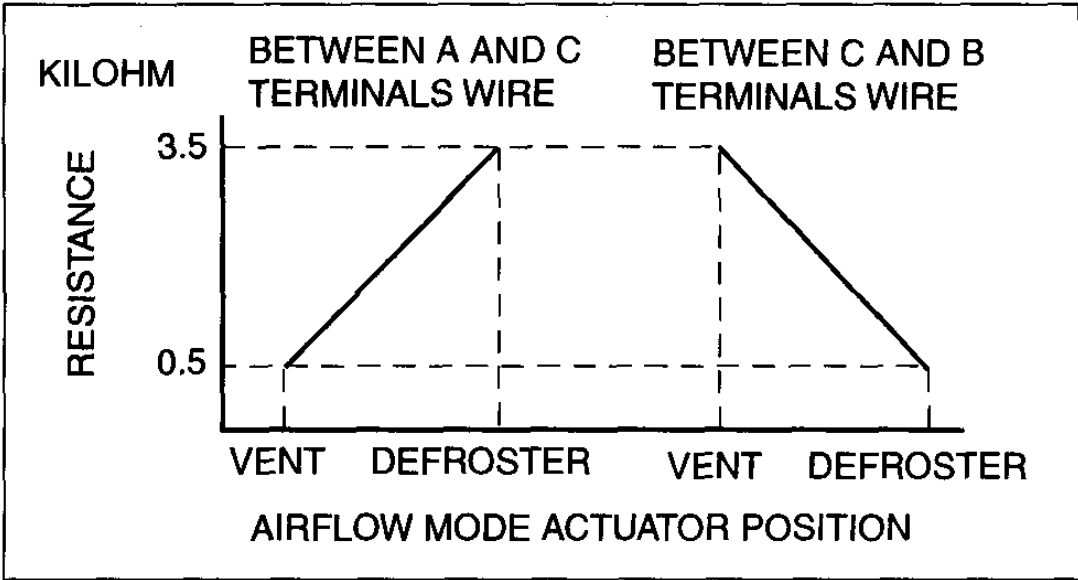
### Air Mix Actuator (Article 1434382)

Terminal		Air mix actuator operation
D	F	
B+	Ground	HOT → COLD
Ground	B+	COLD → HOT



am3uuw000066





am3uuw0000063