

Component Procedures: Fuse Block

Table of Contents

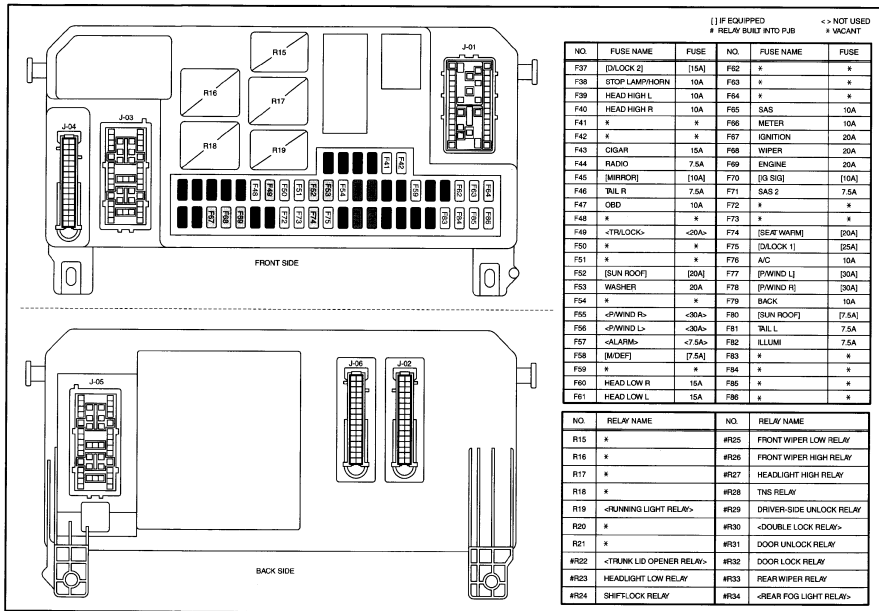
1. Passenger Junction Box (PJB) (Article 1423169)
2. Additional/Related Diagrams (Article 1423163)
3. Components (itype_32)

Component Procedures: Fuse Block

Passenger Junction Box (PJB) (Article 1423169)

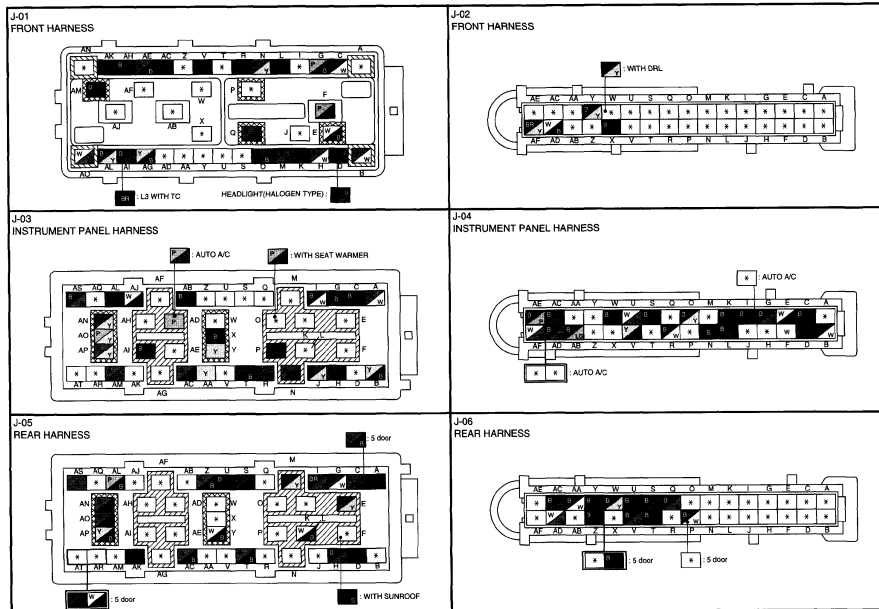
PASSENGER JUNCTION BOX (PJB)

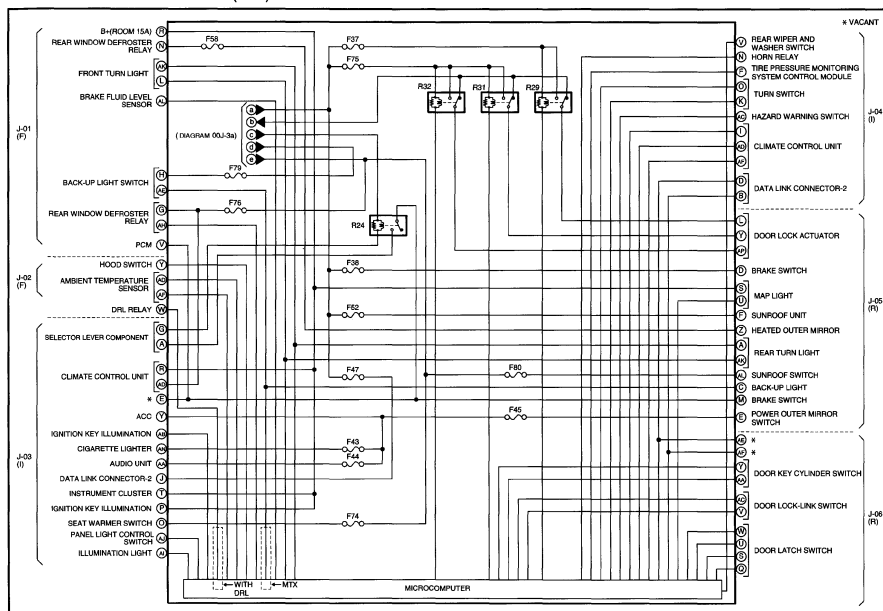
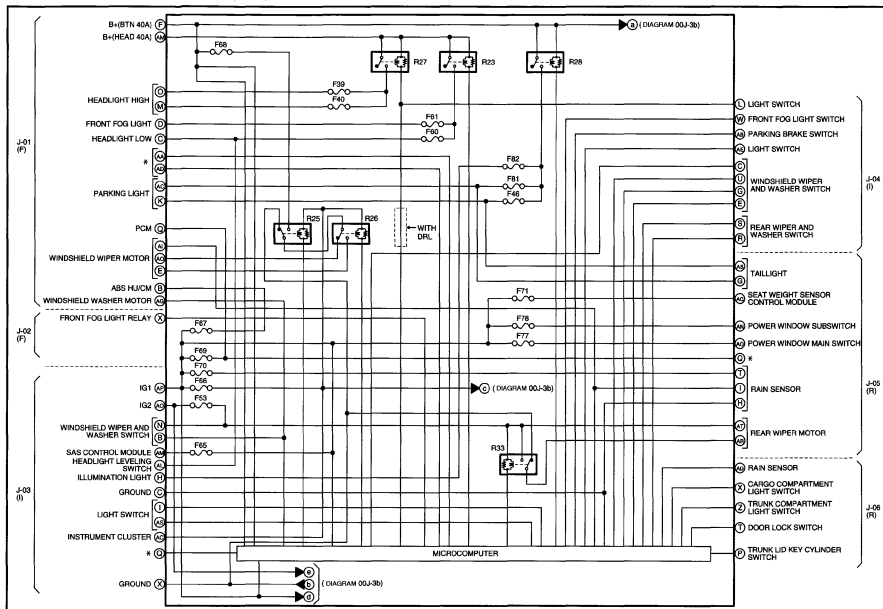
00J-1



PASSENGER JUNCTION BOX (PJB)

00J-2





Additional/Related Diagrams (Article 1423163)

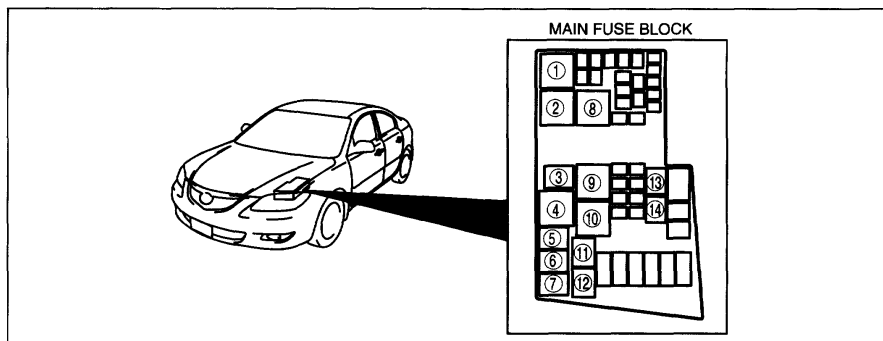
For information regarding diagrams for this component, please refer to Power and Ground Distribution Diagrams.

See: Power and Ground Distribution > Electrical

Components (itype_32)

RELAY LOCATION

H092100800600



c3u0921w001

1	Main relay
2	Starter relay
3	A/C relay
4	Blower relay (L3 with TC)
5	Injector driver relay (L3 with TC) AT main relay (FSSA-EL)
6	Drive-by-wire relay
7	Horn relay
8	Rear washer relay (L3 with TC)

9	DRL relay (L3 with TC) Blower relay (except L3 with TC)
10	Headlight cleaner relay (L3 with TC) Rear washer relay (except L3 with TC)
11	Rear window defroster relay
12	Front fog light relay
13	Fuel pump relay No.2 (L3 with TC) DRL relay (except L3 with TC) Headlight cleaner relay (except L3 with TC)
14	Fuel pump relay