

# Component Procedures: Engine Lubrication

## Table of Contents

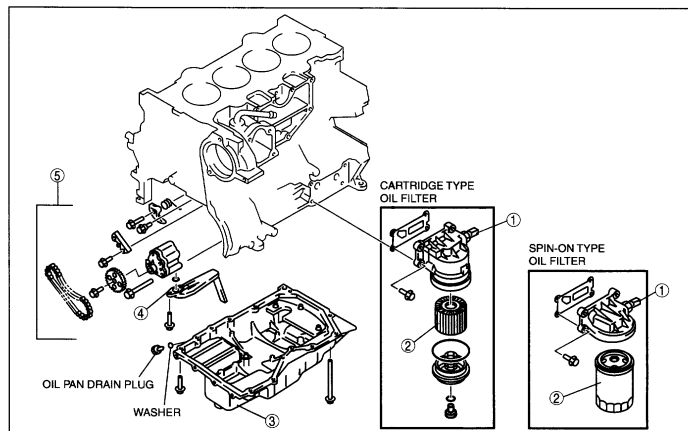
1. Lubrication System Location Index (Article 1468441)
2. All Technical Service Bulletins (itype\_100)
3. Customer Interest Bulletins (itype\_109)
4. Repair Tips (itype\_110)
5. Noise (itype\_156)
6. New / Updated Parts (itype\_117)
7. Service Manual Updates (itype\_115)
8. Tools and Equipment (itype\_113)

# Component Procedures: Engine Lubrication

## Lubrication System Location Index (Article 1468441)

LUBRICATION SYSTEM LOCATION INDEX(LF, L3]

40111c280100



1	Oil pressure switch
2	Oil filter
3	Oil pan

4	Oil strainer
5	Oil pump component

### All Technical Service Bulletins (itype\_100)

Tsbs

- Engine - Correct Oil Filter Wrench Applications (MTIP-08-03-3, 2008/03/01)
- Engine - VVT Noise At Engine Start Up (0101011, 2011/12/21)
- Engine - Oil Filter Element Replacement Precautions (0103508, 2008/07/07)
- Engine - Revised Oil Pan Removal/Installtion (0101309, 2009/04/16)

### Customer Interest Bulletins (itype\_109)

Tsbs

- Engine - VVT Noise At Engine Start Up (0101011, 2011/12/21)

### Repair Tips (itype\_110)

Tsbs

- Engine - Correct Oil Filter Wrench Applications (MTIP-08-03-3, 2008/03/01)
- Engine - Oil Filter Element Replacement Precautions (0103508, 2008/07/07)

### Noise (itype\_156)

Tsbs

- Engine - VVT Noise At Engine Start Up (0101011, 2011/12/21)

### New / Updated Parts (itype\_117)

Tsbs

- Engine - Revised Oil Pan Removal/Installtion (0101309, 2009/04/16)

### Service Manual Updates (itype\_115)

Tsbs

- Engine - Revised Oil Pan Removal/Installtion (0101309, 2009/04/16)

### Tools and Equipment (itype\_113)

Tsbs

- Engine - Correct Oil Filter Wrench Applications (MTIP-08-03-3, 2008/03/01)
- Engine - Oil Filter Element Replacement Precautions (0103508, 2008/07/07)