

Component Procedures: Power and Ground Distribution

Table of Contents

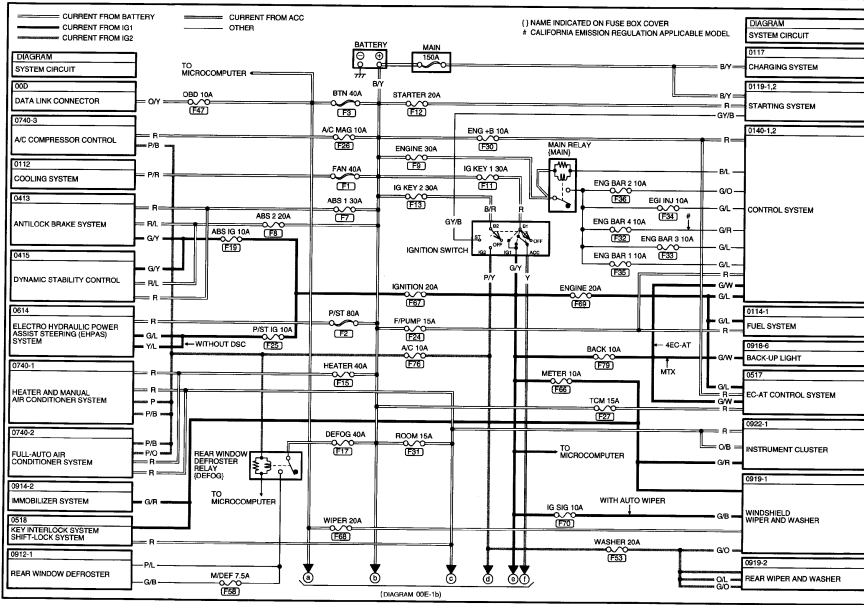
1. Power Distribution (Article 1469915)
2. Ground Distribution (Article 1469904)
3. Ground Distribution (Article 11713)
4. Power Distribution (Article 16084)
5. Components (itype_32)
6. Vehicle Damage Warnings (itype_16)
7. All Technical Service Bulletins (itype_100)
8. Relay Inspection (Article 1464810)
9. Injector Driver Relay/A/T Main relay (Article 1464808)

Component Procedures: Power and Ground Distribution

Power Distribution (Article 1469915)

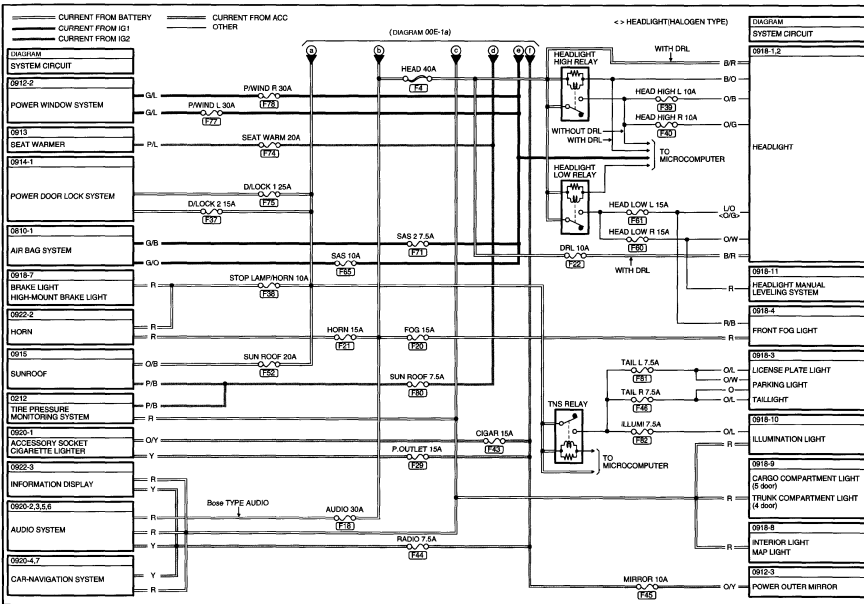
ELECTRICAL WIRING SCHEMATIC (EXCEPT L3 WITH TC)

00E-1a



ELECTRICAL WIRING SCHEMATIC (EXCEPT L3 WITH TC)

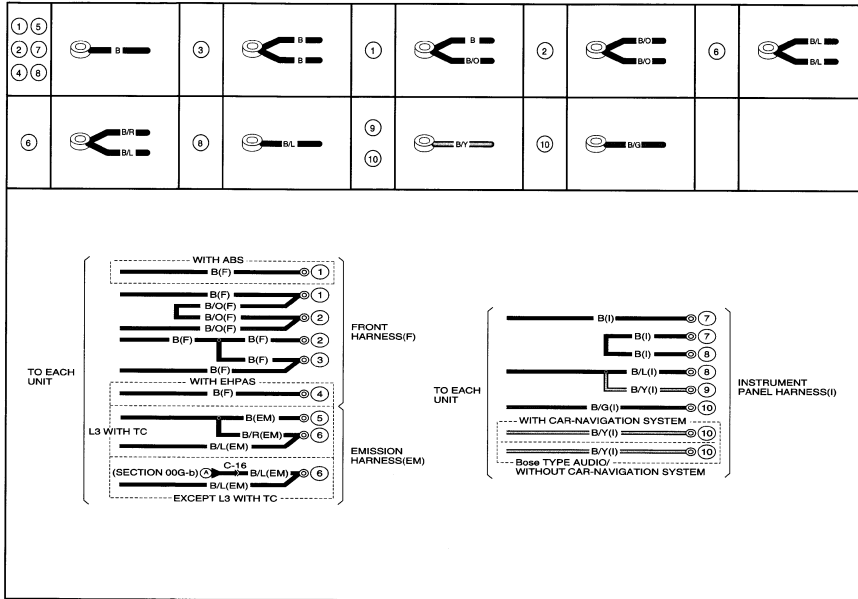
00E-1b



Ground Distribution (Article 1469904)

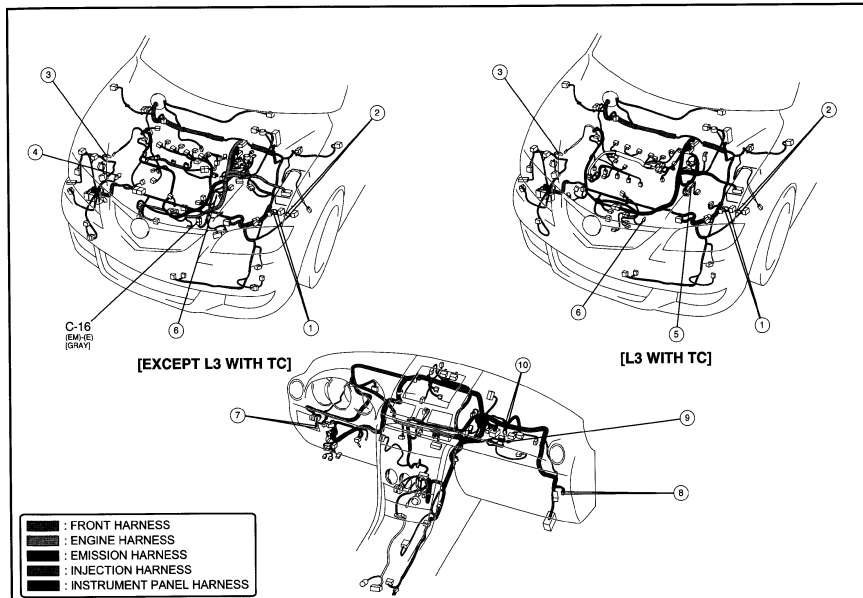
GROUND POINT

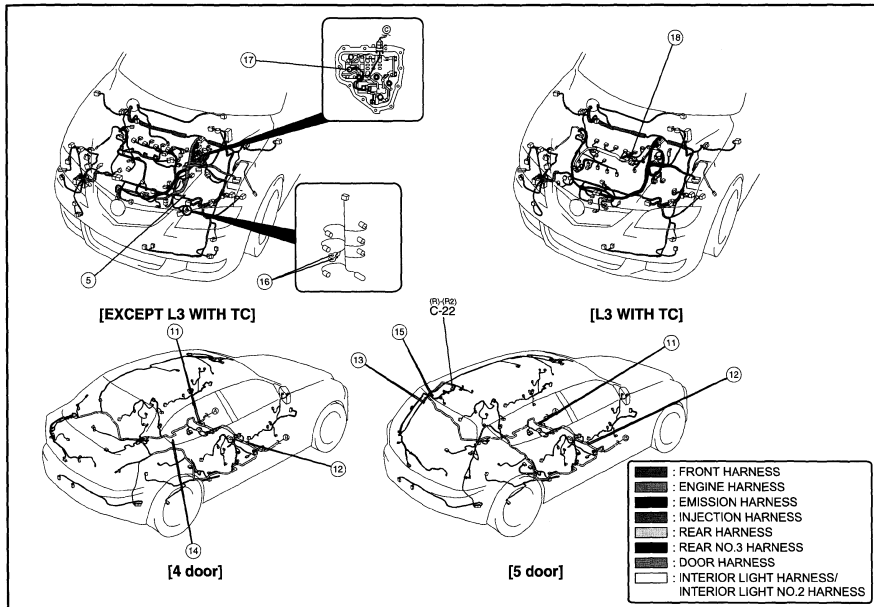
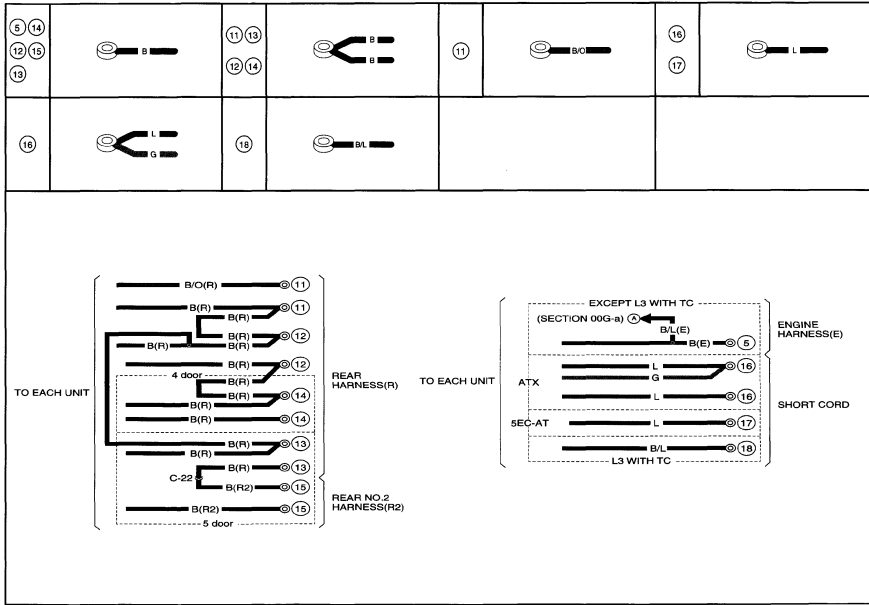
00G-a



GROUND POINT

00G-a





Ground Distribution (Article 11713)

Ground Distribution

Page 1 of 1

Power Distribution (Article 16084)

Power Distribution

Page 1 of 3

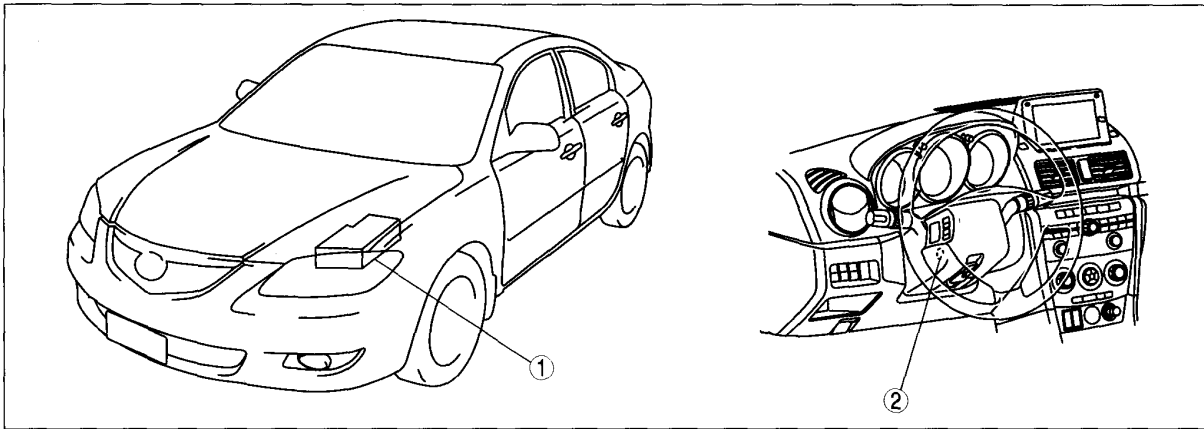
Page 2 of 3

Page 3 of 3

Components (itype_32)

POWER SYSTEM LOCATION INDEX

id092100800700



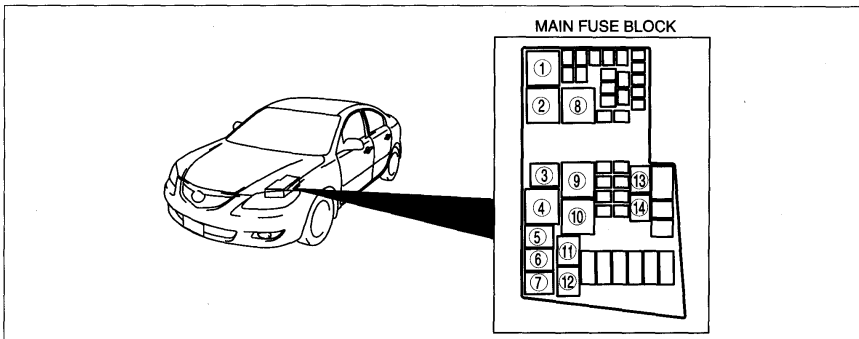
c3u0921w002

1	Main fuse block
---	-----------------

2	Ignition switch
---	-----------------

RELAY LOCATION

id092100800600



c3u0921w001

1	Main relay
2	Starter relay
3	A/C relay
4	Blower relay (L3 with TC)
5	Injector driver relay (L3 with TC) AT main relay (FS5A-EL)
6	Drive-by-wire relay
7	Horn relay
8	Rear washer relay (L3 with TC)

9	DRL relay (L3 with TC) Blower relay (except L3 with TC)
10	Headlight cleaner relay (L3 with TC) Rear washer relay (except L3 with TC)
11	Rear window defroster relay
12	Front fog light relay
13	Fuel pump relay No.2 (L3 with TC) DRL relay (except L3 with TC) Headlight cleaner relay (except L3 with TC)
14	Fuel pump relay

Vehicle Damage Warnings (itype_16)

FUSE SERVICE CAUTIONS

CAUTION: Determine and correct the cause of the burnt fuse before replacing it with the specified type. If the fuse is replaced before doing this, it may burn again.

All Technical Service Bulletins (itype_100)

Tsbs

- ELECTRICAL CONCERN AND/OR MULTIPLE DTC'S DUE TO AFTERMARKET DEVICE (MT-001/20, 2020/07/14)

Relay Inspection (Article 1464810)

RELAY INSPECTION

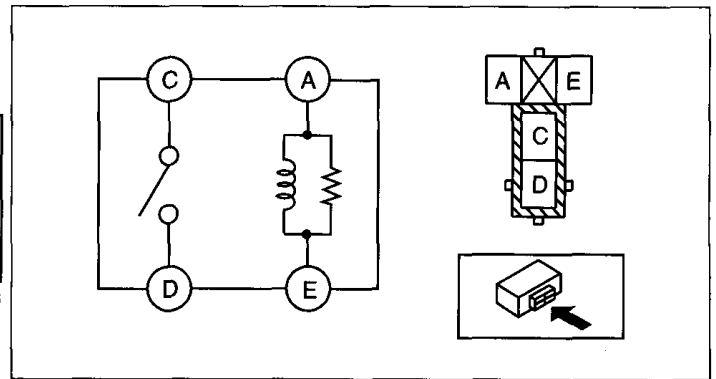
Relay type

Terminal type	Part name
4 terminals	Type A <ul style="list-style-type: none"> • A/C relay • AT main relay • Injector driver relay • Drive-by-wire relay • Horn relay • Rear window defroster relay • Front fog light relay • Headlight cleaner relay (except L3 with TC) • DRL relay (except L3 with TC) • Fuel pump relay • Fuel pump relay No.2
	Type B <ul style="list-style-type: none"> • Main relay • Starter relay • Blower relay • Rear washer relay • DRL relay (L3 with TC) • Headlight cleaner relay (L3 with TC)

○—○ : Continuity

Step	Terminal			
	A	E	C	D
1	○—○			
2	B+	GND	○—○	

am8rrw00000328

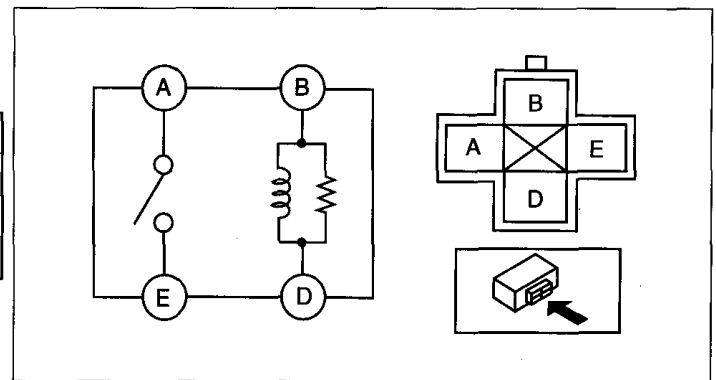


am8rrw00000327

○—○ : Continuity

Step	Terminal			
	B	D	A	E
1	○—○			
2	B+	GND	○—○	

am8rrw00000330



am8rrw00000329

Injector Driver Relay/A/T Main relay (Article 1464808)

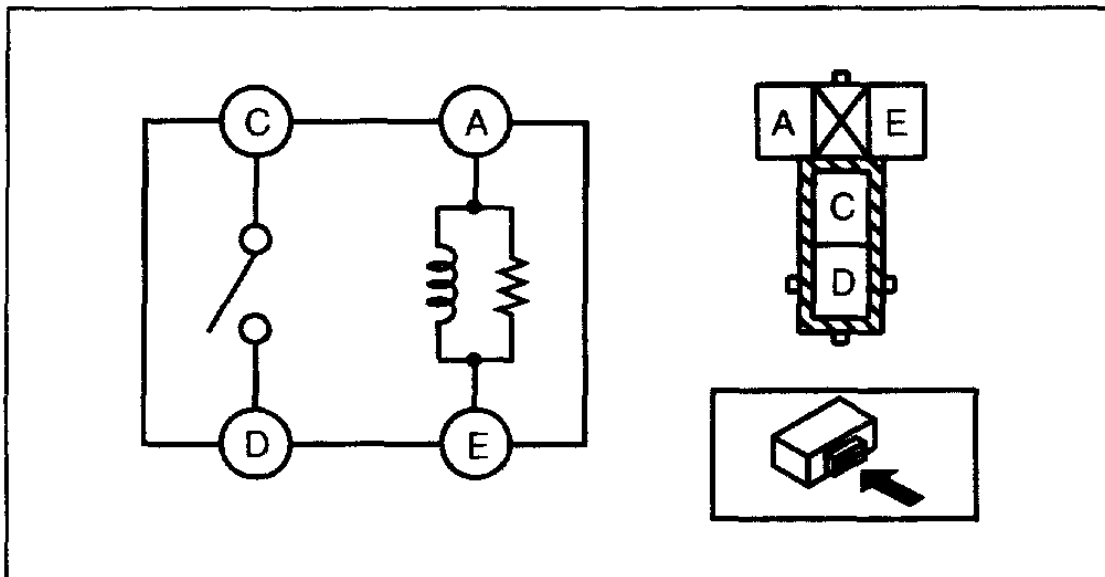
Relay type

Terminal type		Part name
4 terminals	Type A	<ul style="list-style-type: none"> • A/C relay • AT main relay • Injector driver relay • Drive-by-wire relay • Horn relay • Rear window defroster relay • Front fog light relay • Headlight cleaner relay (except L3 with TC) • DRL relay (except L3 with TC) • Fuel pump relay • Fuel pump relay No.2
	Type B	<ul style="list-style-type: none"> • Main relay • Starter relay • Blower relay • Rear washer relay • DRL relay (L3 with TC) • Headlight cleaner relay (L3 with TC)

○—○ : Continuity

Step	Terminal			
	A	E	C	D
1	○—○			
2	B+	GND	○—○	

am8rrw00000328



am8rrw00000327