

# **Component Procedures: Clutch**

## **Table of Contents**

1. Parts and Labor (itype\_189)
2. Clutch Location Index (Article 1454674)
3. General Procedures (Clutch) (Article 1450719)
4. Clutch Fluid Air Bleeding/Replacement (Article 1450735)
5. Clutch Unit Removal/Installation (Article 1391428)
6. Transmission/Transaxle Technical Data (Article 1454596)
7. Clutch Cover Inspection (Article 1450560)
8. Clutch Disc Inspection (Article 1450568)
9. Clutch Release Collar Inspection (Article 1391393)
10. Dual-Mass Flywheel Inspection [L3 With TC] (Article 1450643)
11. Flywheel Inspection [LF, L3] (Article 1450644)

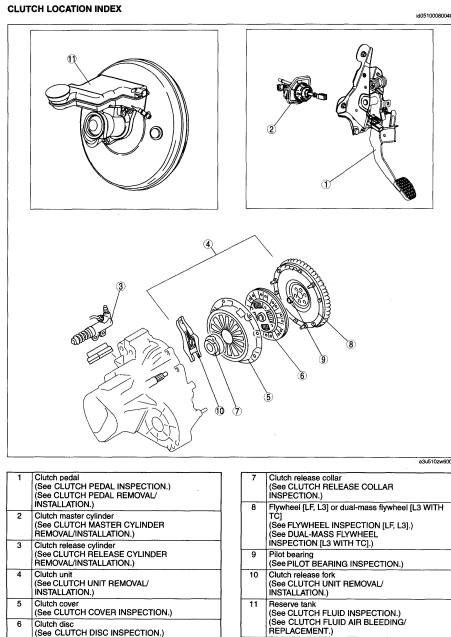
# Component Procedures: Clutch

## Parts and Labor (itype\_189)

### Labor

Operation	Qualifier Path	Skill	Std Hrs	Wty Hrs
Bleed	Clutch System, Bleed	B	0.5	0.3

## Clutch Location Index (Article 1454674)



## General Procedures (Clutch) (Article 1450719)

### GENERAL PROCEDURES ( CLUTCH )

#### Note:

^ A common reservoir is used for the clutch and brake system fluid.

#### Caution: If

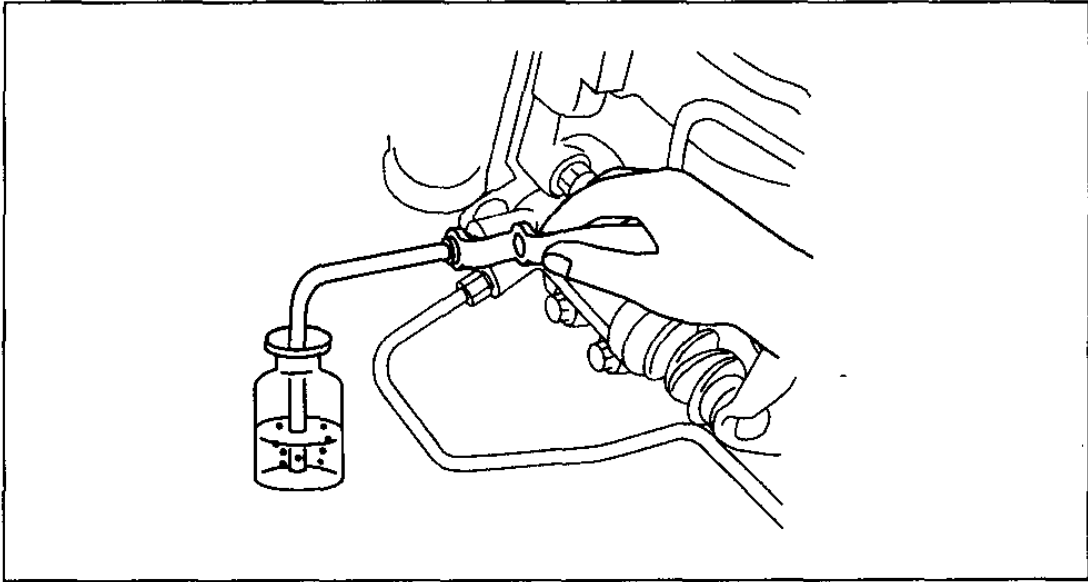
clutch pipe

s have been disconnected any time during the procedure, add

clutch fluid

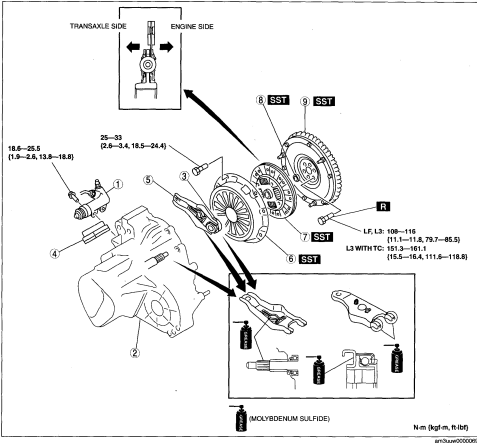
(brake fluid), bleed the air, and inspect for leakage after the procedure has been completed.

## Clutch Fluid Air Bleeding/Replacement (Article 1450735)

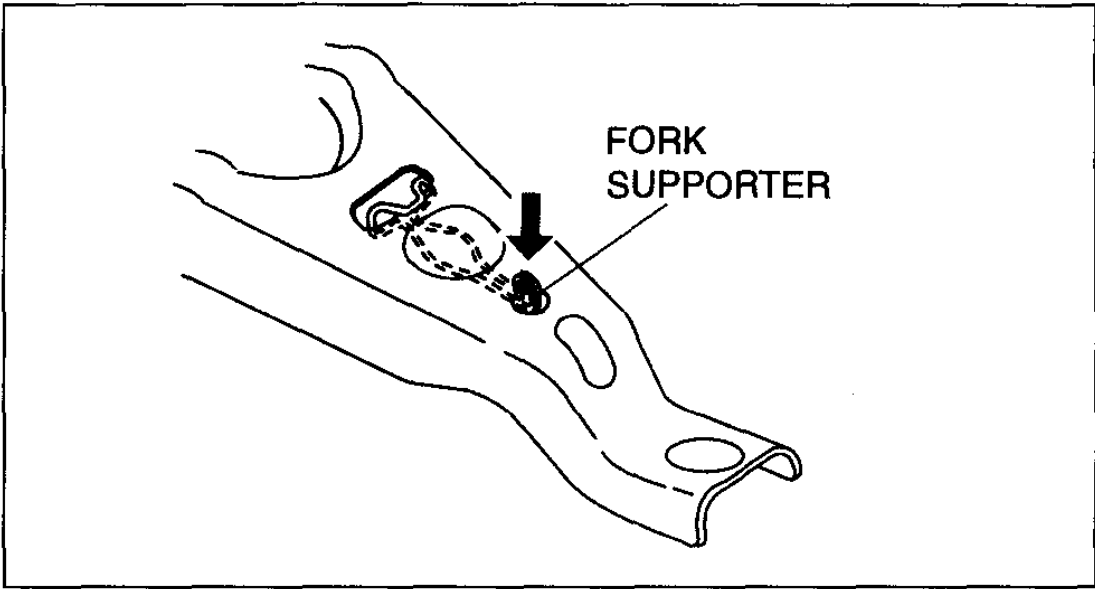


am3zzw000027

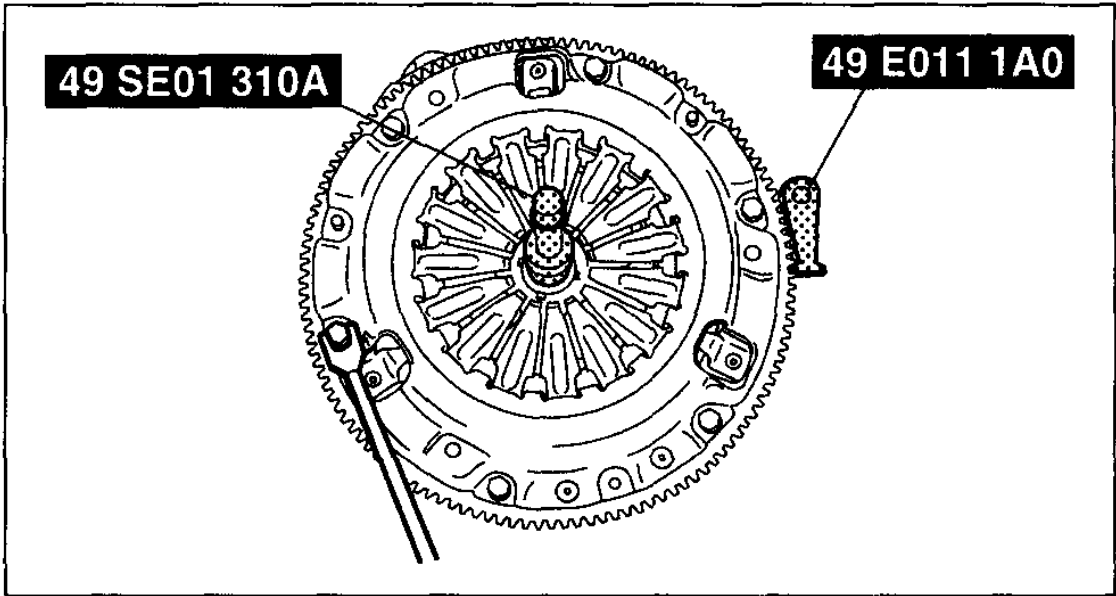
**Clutch Unit Removal/Installation (Article 1391428)**



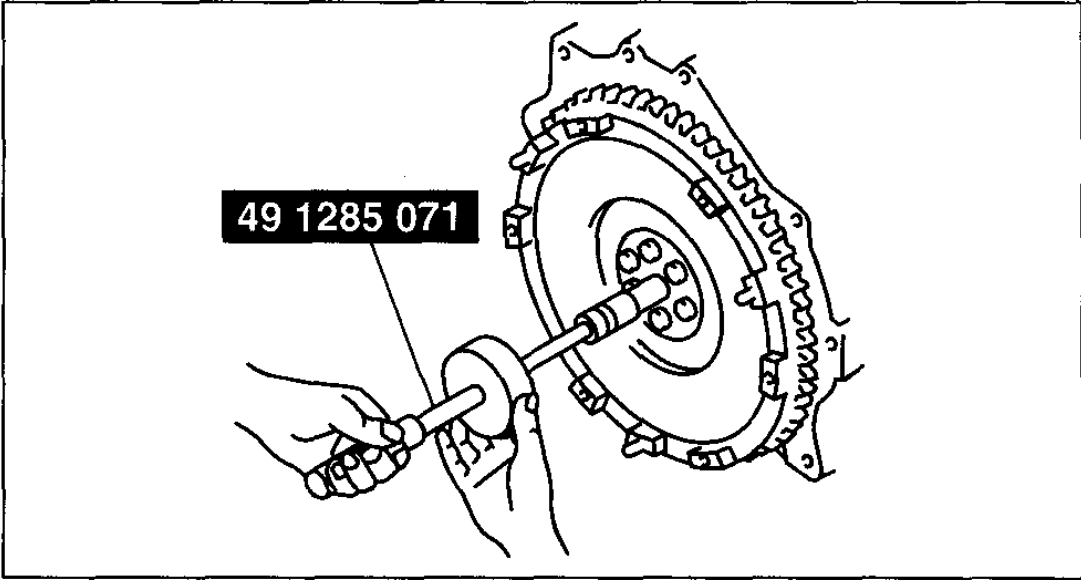
1 Clutch release cylinder (See CLUTCH RELEASE CYLINDER REMOVAL/INSTALLATION.)	6 Clutch cover (See Clutch Cover and Disc Removal Note.) (See Clutch Cover Installation Note.)
2 Manual transaxle (See MANUAL TRANSAXLE REMOVAL/INSTALLATION (GSM-R).) (See MANUAL TRANSAXLE REMOVAL/INSTALLATION (A2M-R).)	7 Clutch disc (See Clutch Cover and Disc Removal Note.) (See Clutch Disc Installation Note.)
3 Clutch release collar (See CLUTCH RELEASE COLLAR INSPECTION.)	8 Pilot bearing (See Pilot Bearing Removal Note.) (See Pilot Bearing Installation Note.)
4 Boot	9 Flywheel [L.F. L2] or Dual-mass Flywheel [L3 WITH TC] (See Flywheel or Dual-mass Flywheel Removal Note.) (See Flywheel or Dual-mass Flywheel Installation Note.)
5 Clutch release fork (See Clutch Release Fork Removal Note.)	



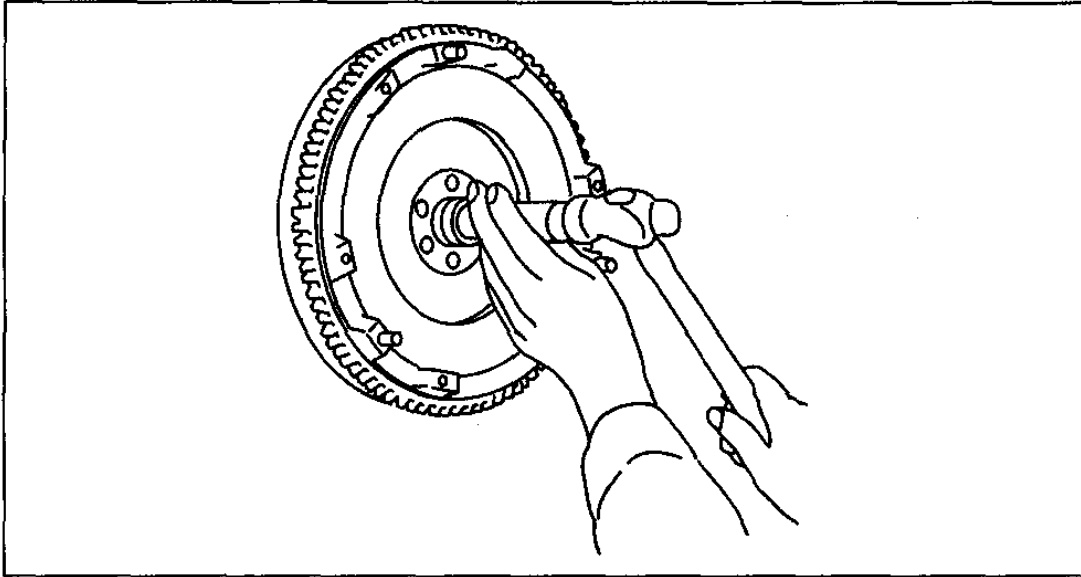
am3uuw000019



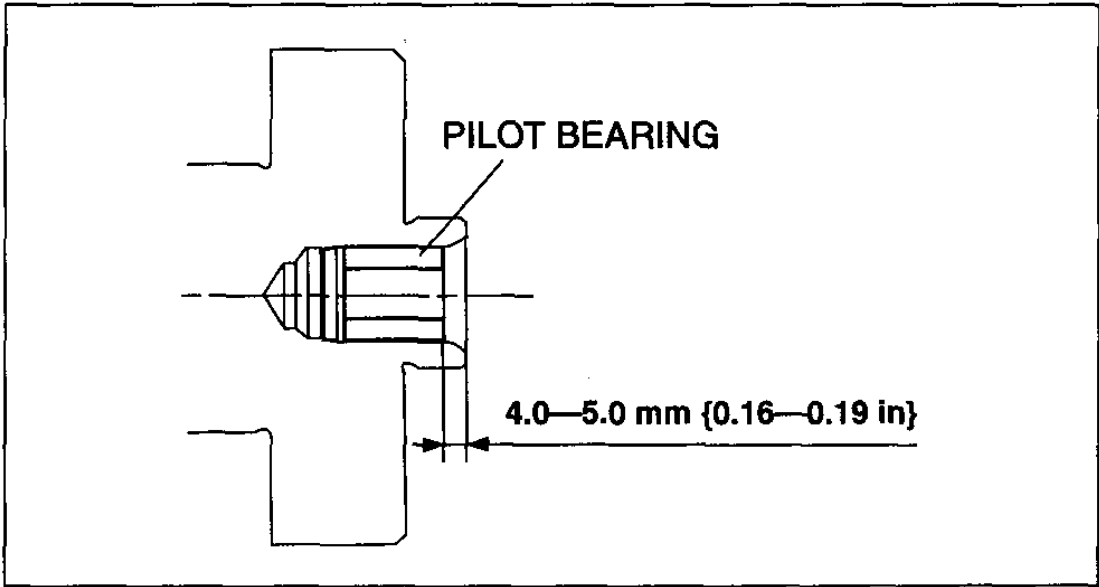
am3uuw000019



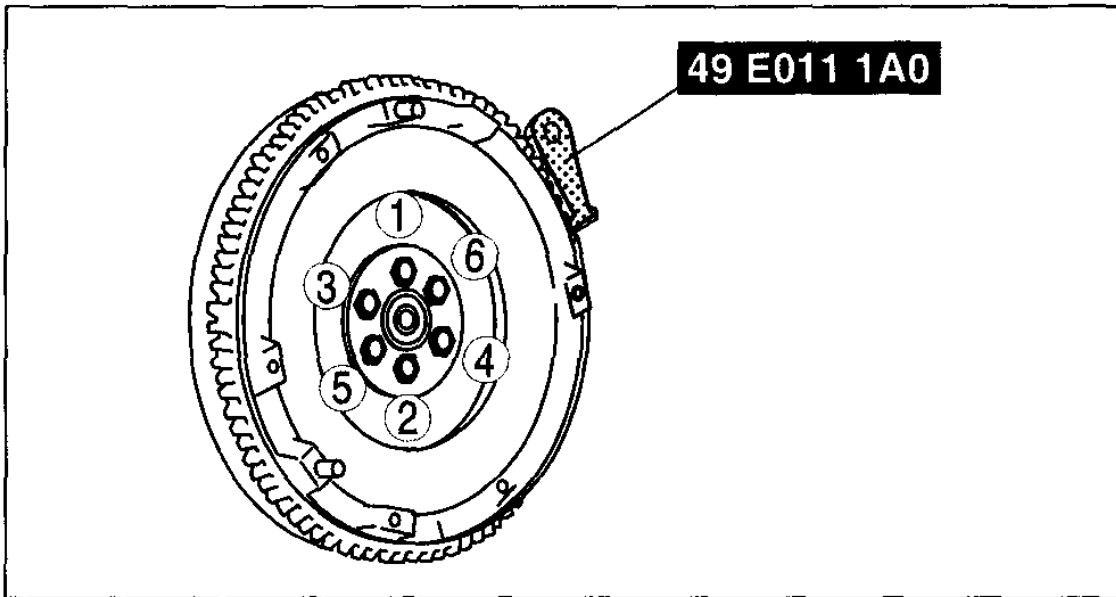
am3uuw000020



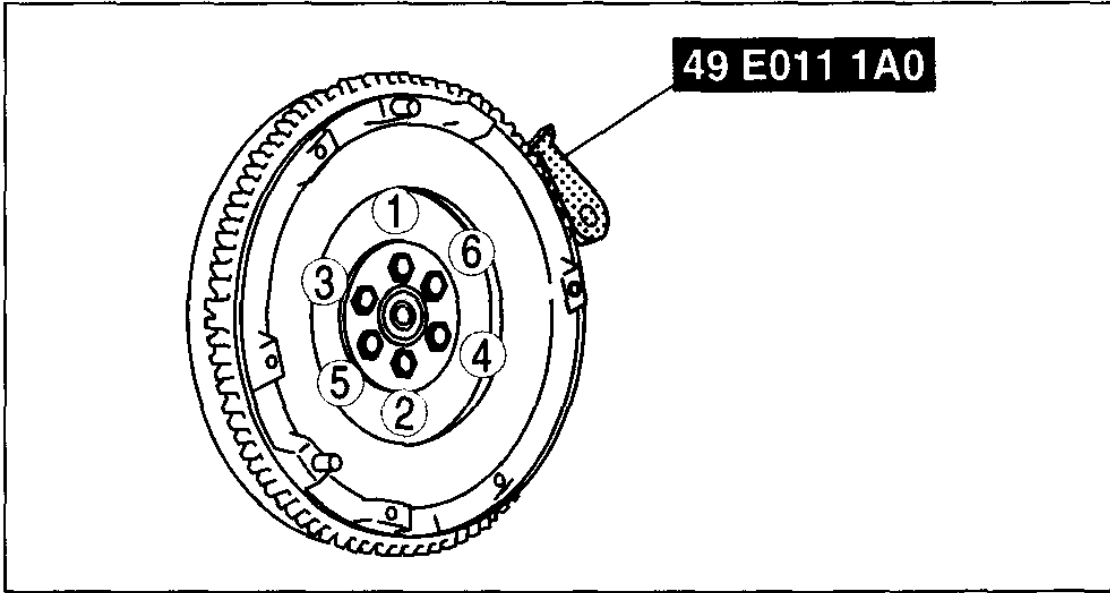
am3uuw0000121



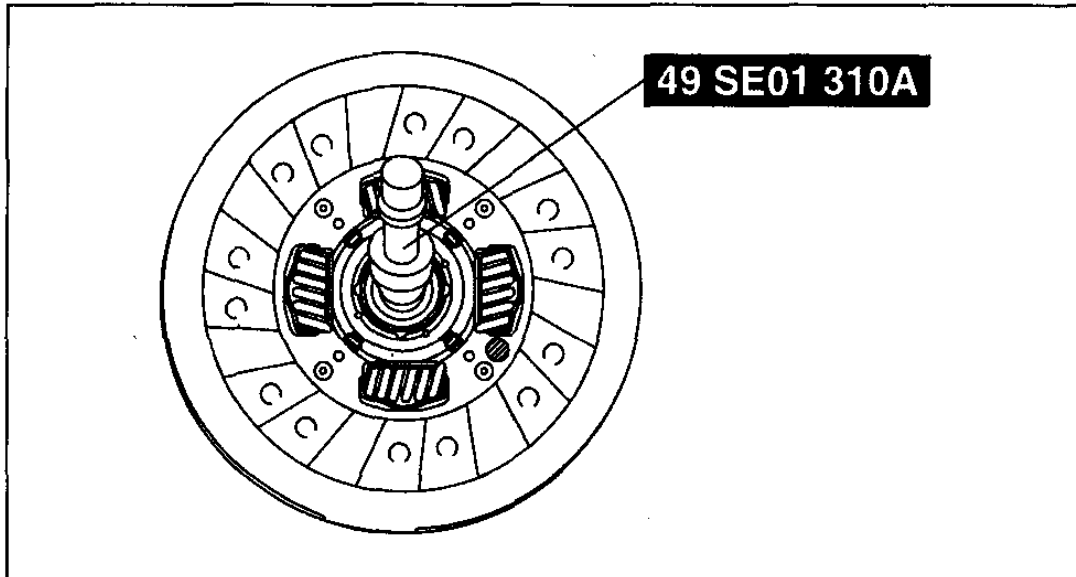
am3uuw000069



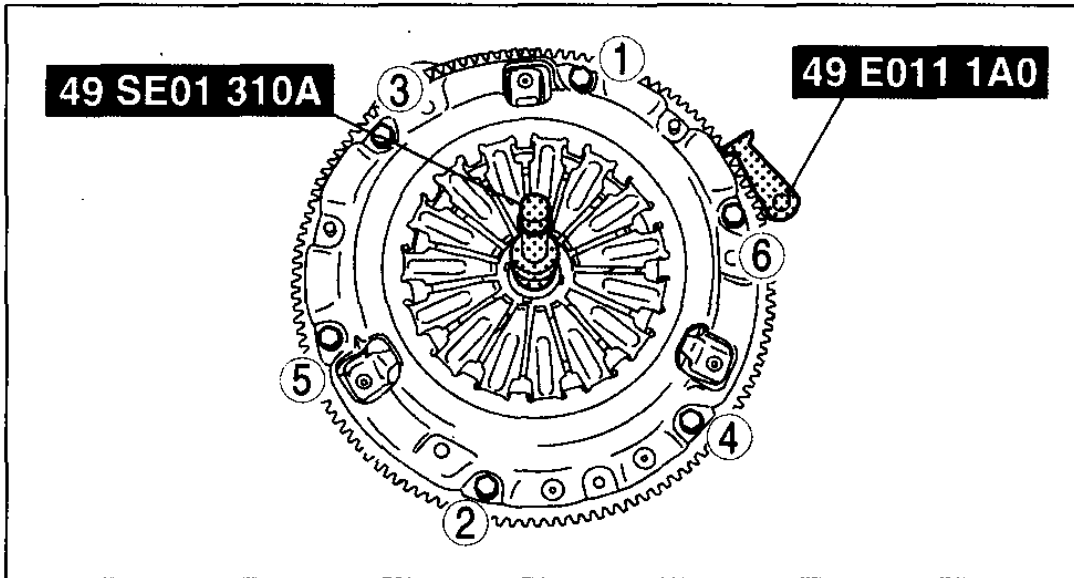
am3uuw000020



am3uuw000020



am3uuw000020



am3uuw0000020

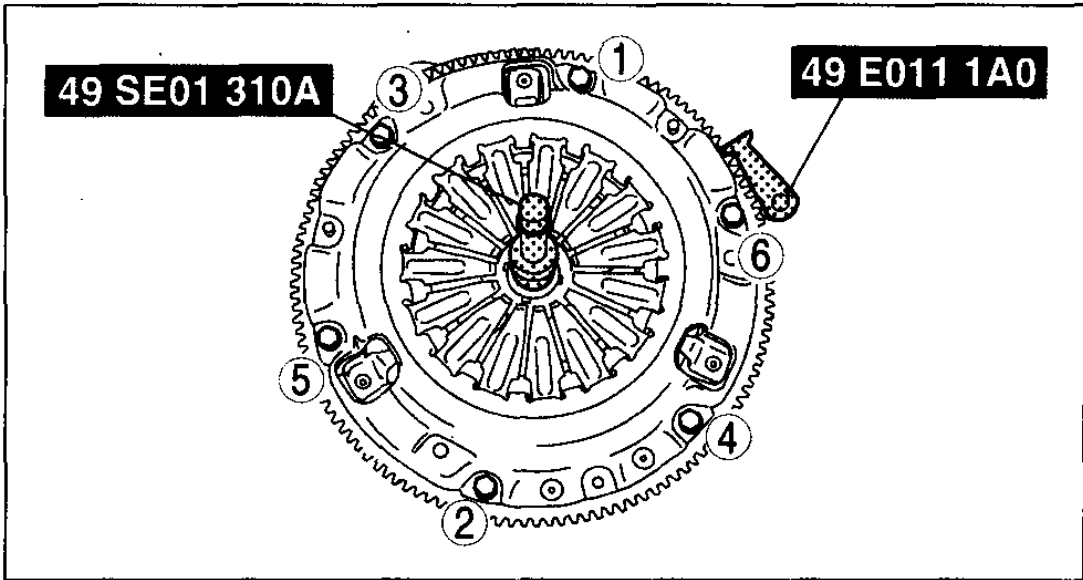
## Transmission/Transaxle Technical Data (Article 1454596)

### TRANSMISSION/TRANSAXLE TECHNICAL DATA

id055000800100

#### Clutch

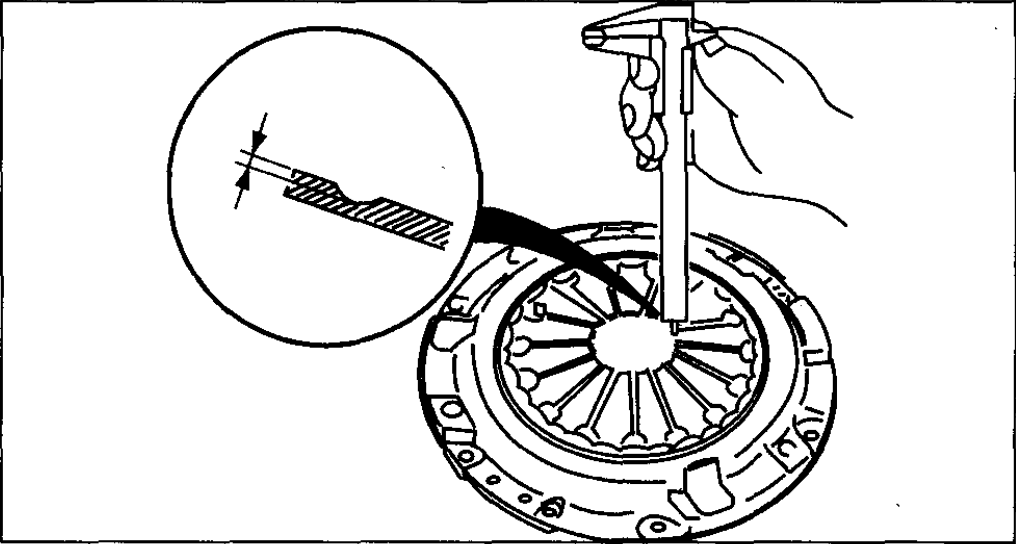
Item	Specification
Clutch fluid	SAE J1703, FMVSS 116 DOT-3
Clutch pedal disengagement stroke	90—110 mm {3.55—4.33 in} (Reference value)
Clutch pedal stroke	135 mm {5.31 in} (Reference value)
Clutch cover diaphragm spring fingers maximum depth	0.6 mm {0.024 in}
Maximum clearance of flatness of the pressure plate	LF, L3: 0.5 mm {0.020 in} L3 WITH TC: 0.3 mm {0.012 in}
Clutch cover diaphragm spring fingers maximum height difference	1.0 mm {0.039 in}
Clutch disc minimum depth	0.3 mm {0.012 in}
Clutch disc maximum runout	0.7 mm {0.028 in}
Flywheel maximum runout [LF, L3]	0.1 mm {0.004 in}
Dual-mass flywheel maximum runout [A26M-R]	1.5 mm {0.059 in}



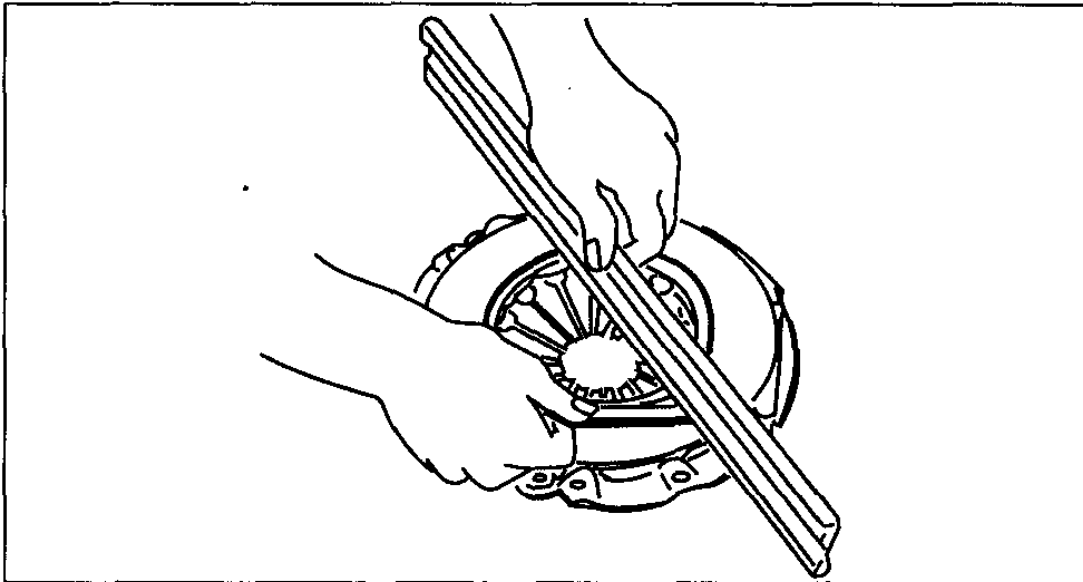
am3uuw000020

Clutch Cover Inspection (Article 1450560)

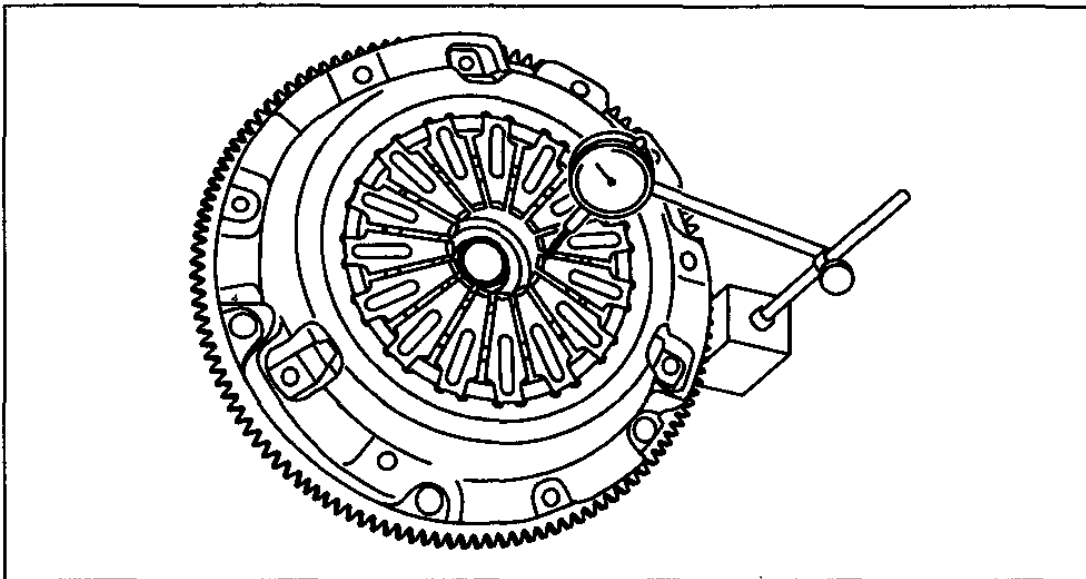
id051000800800



am3uuw000019

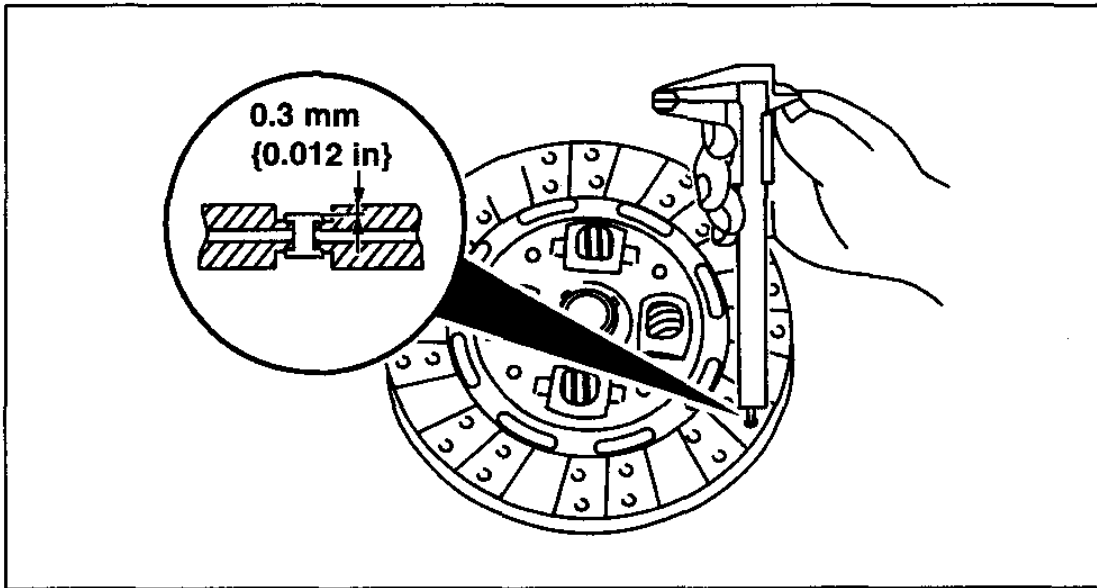


am3uuw0000019

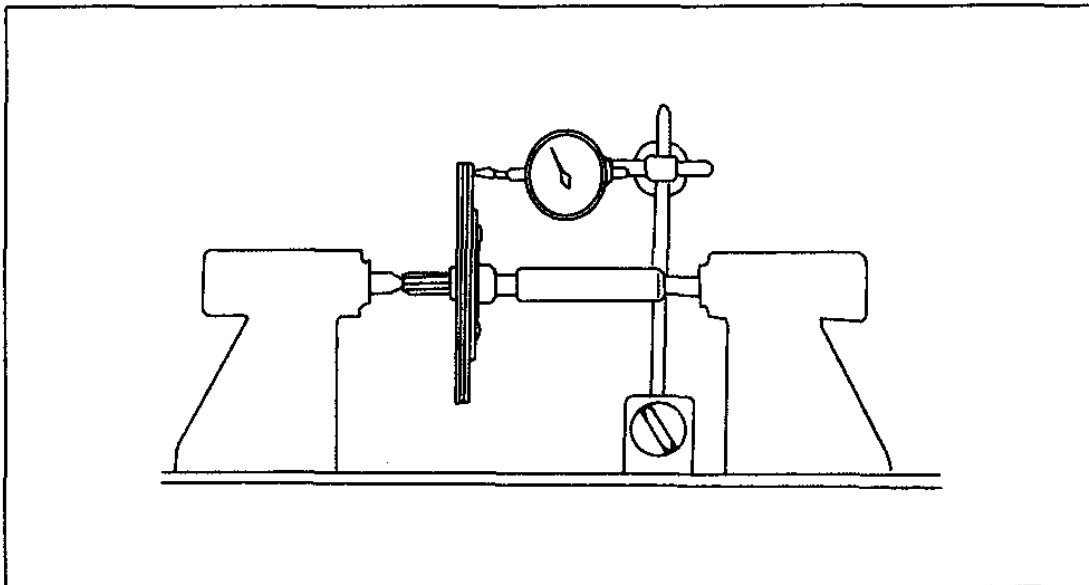


am3uuw0000019

Clutch Disc Inspection (Article 1450568)

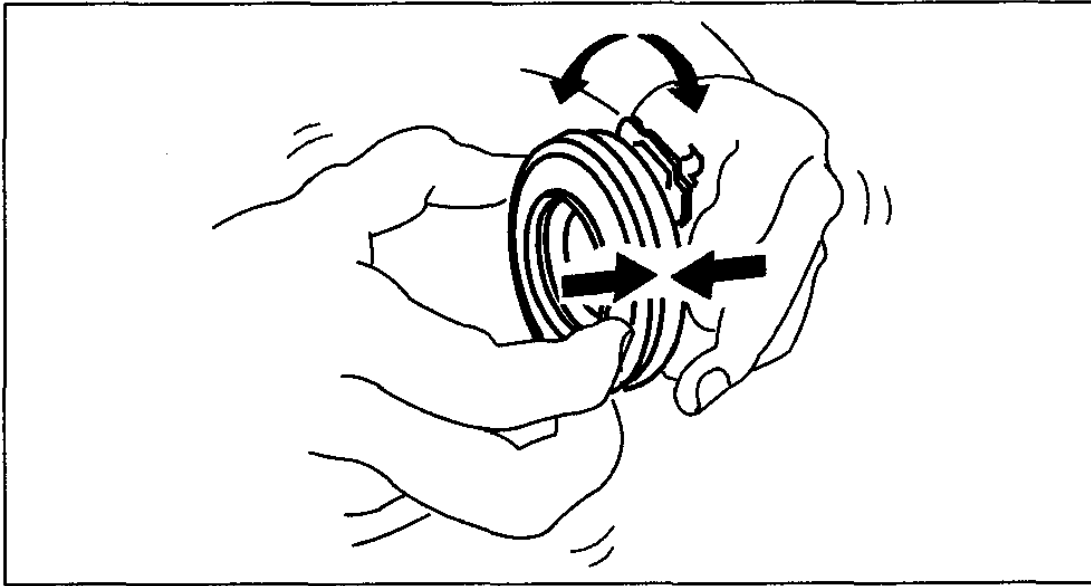


am3uuw0000069



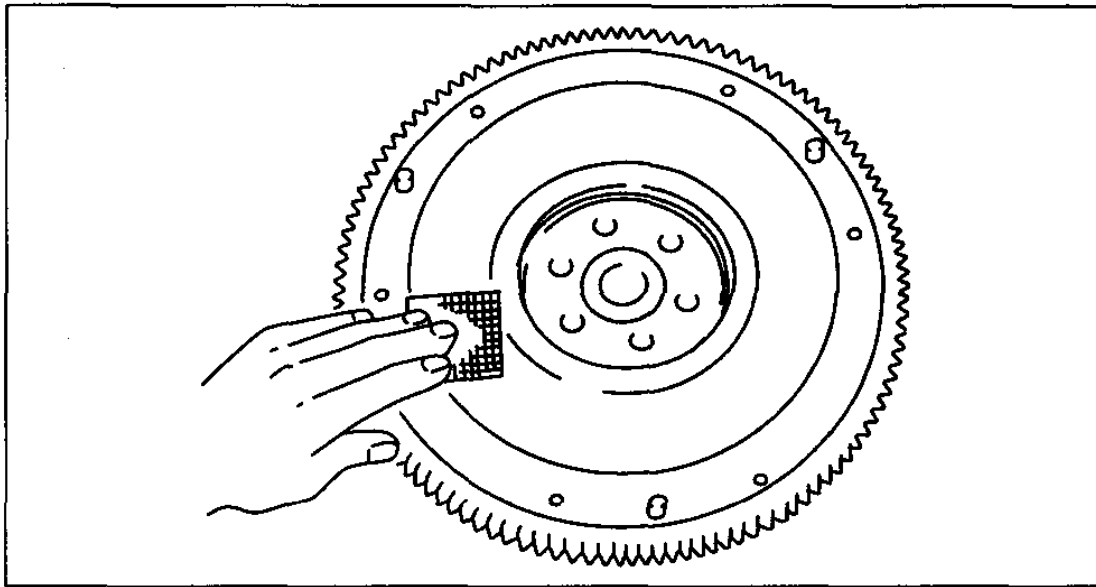
am3uuw0000070

Clutch Release Collar Inspection (Article 1391393)

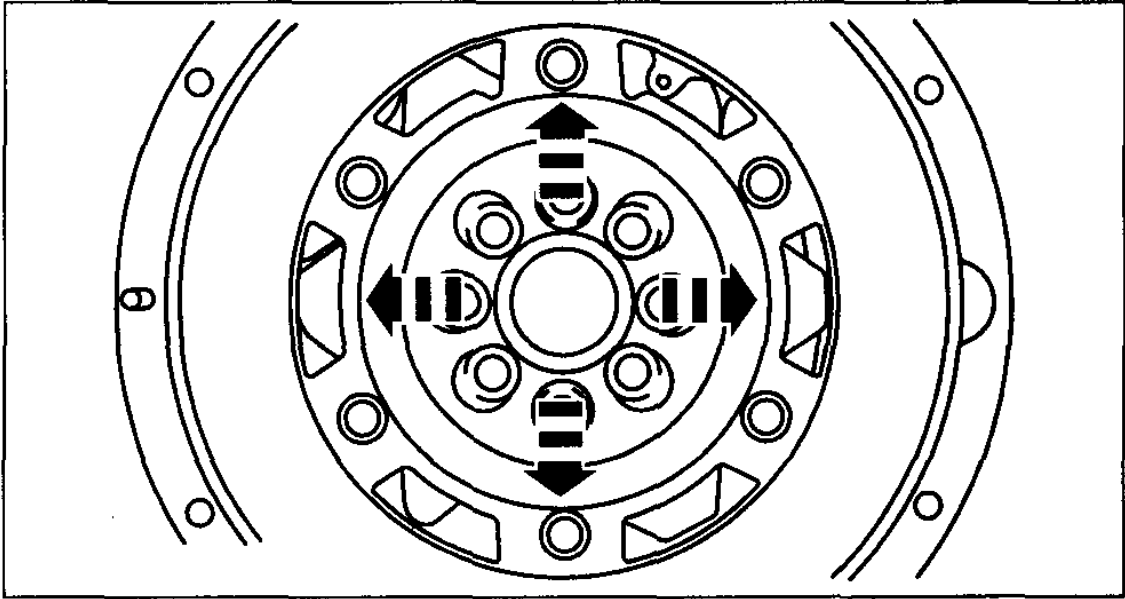


B3E0510W026

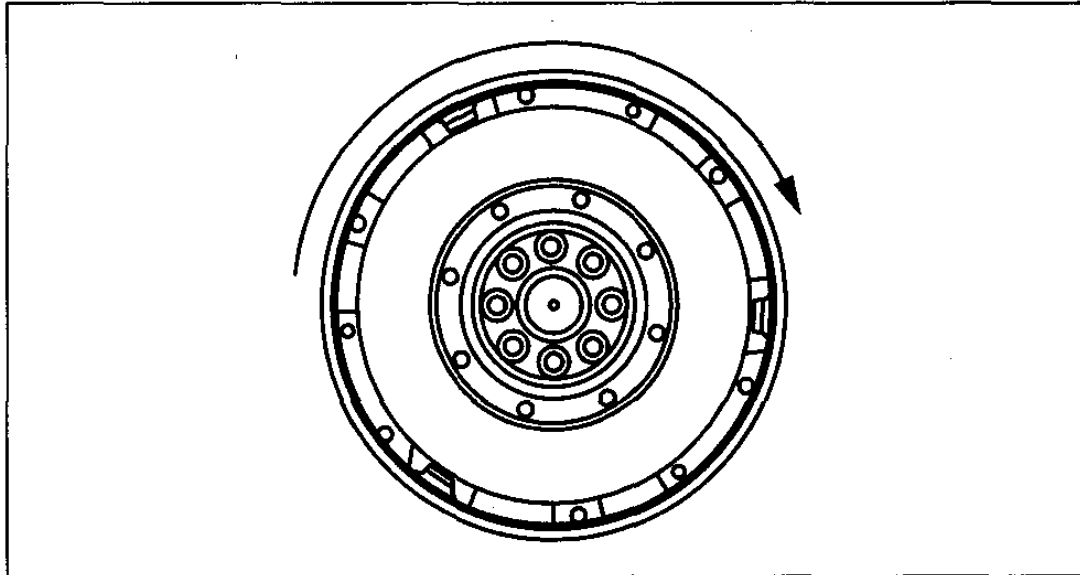
Dual-Mass Flywheel Inspection [L3 With TC] (Article 1450643)



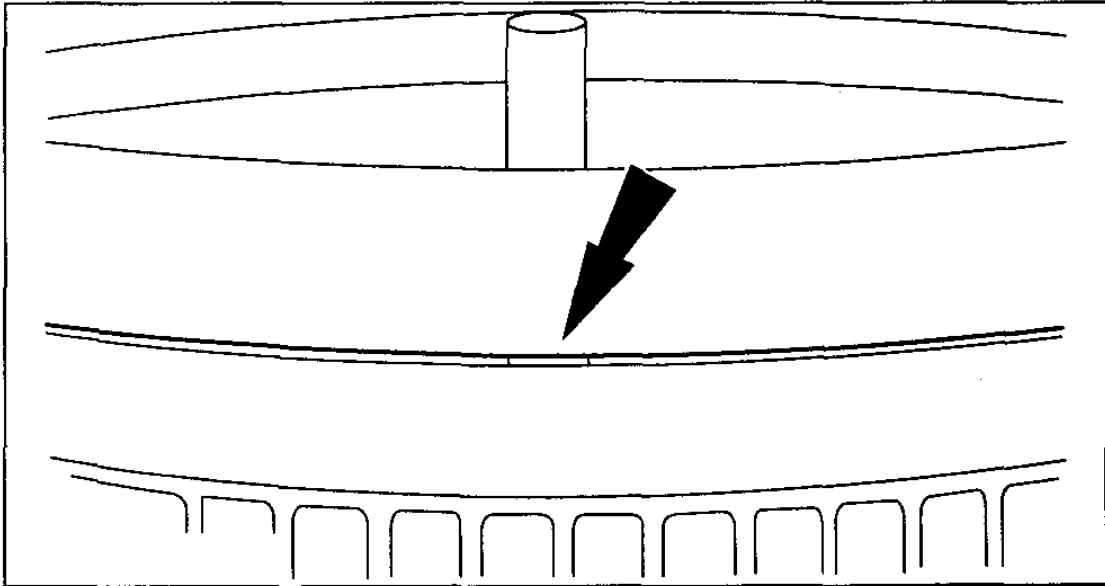
am3zzw0000031



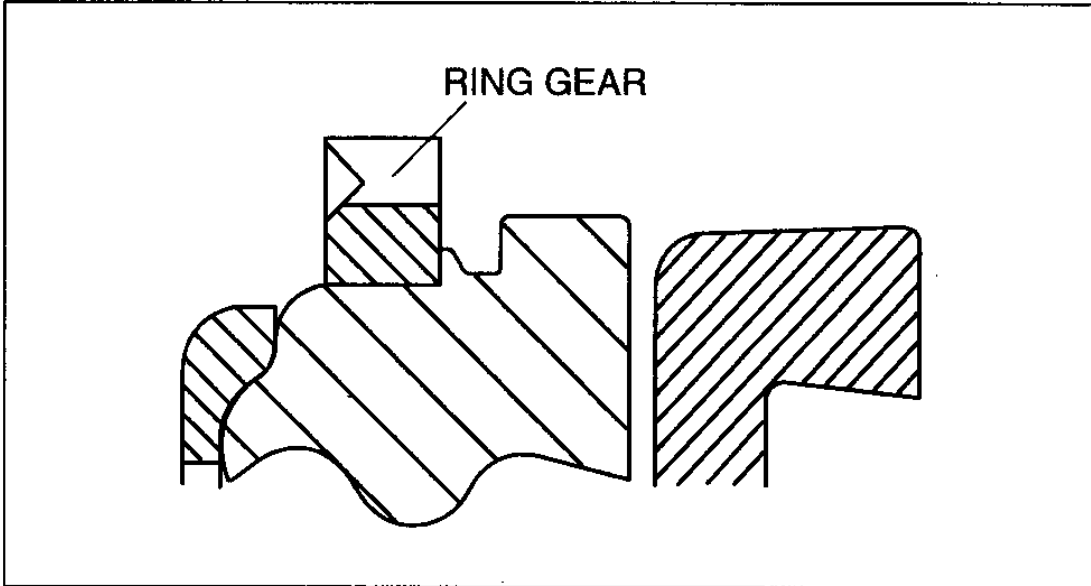
am3zzw0000031



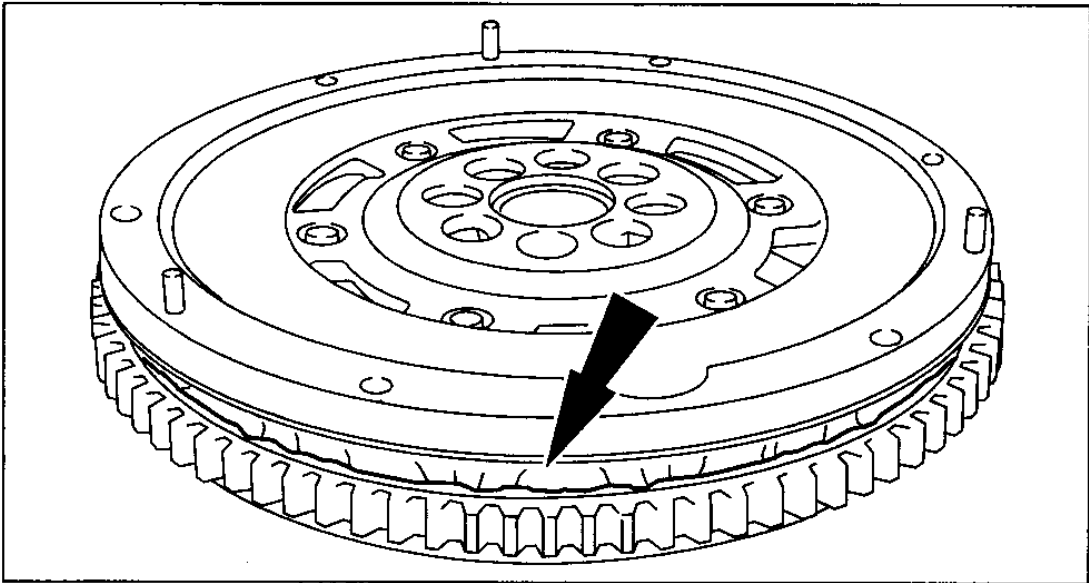
am3zzw0000031



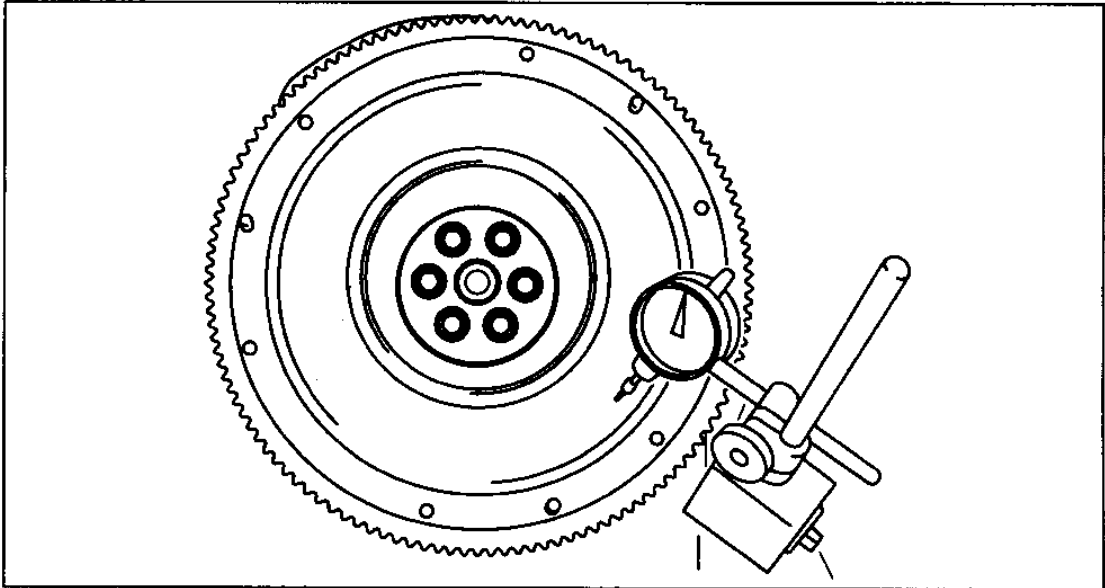
am3zzw0000031



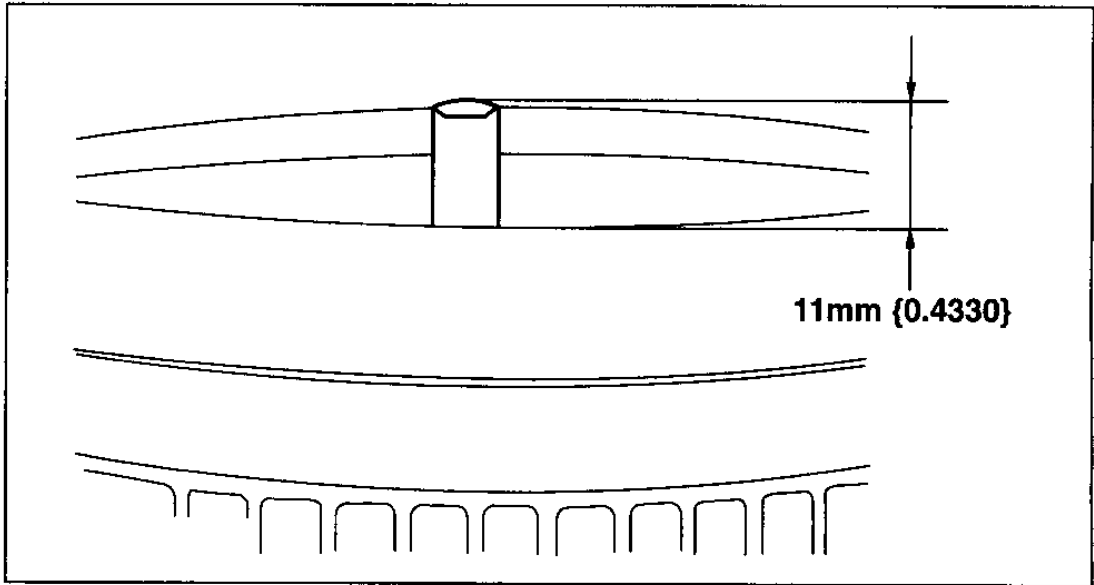
am3zzw0000031



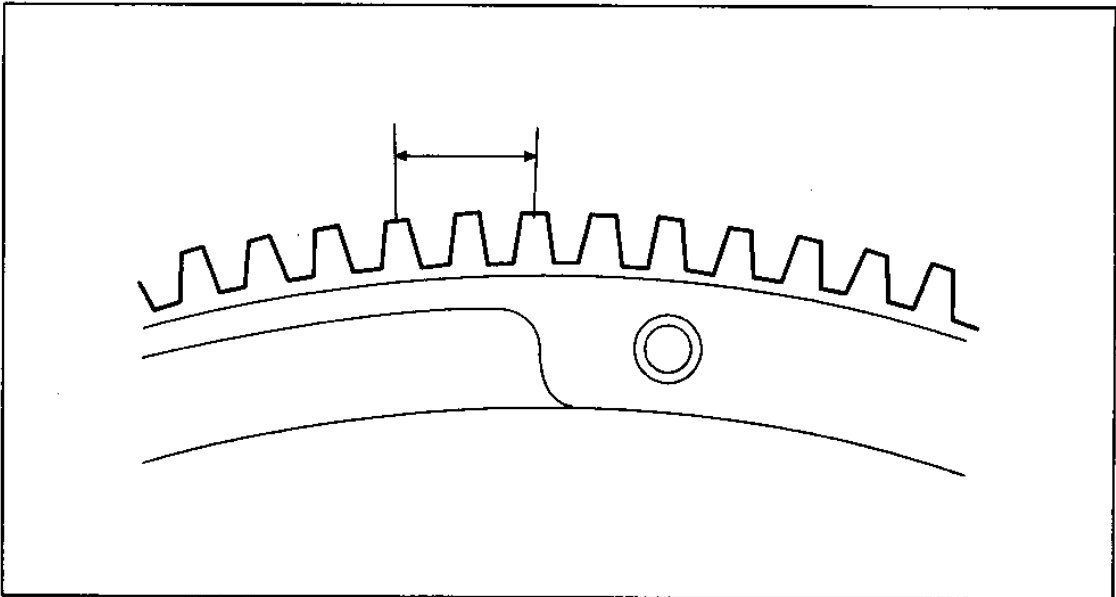
am3zzw0000031



am3zzw0000031

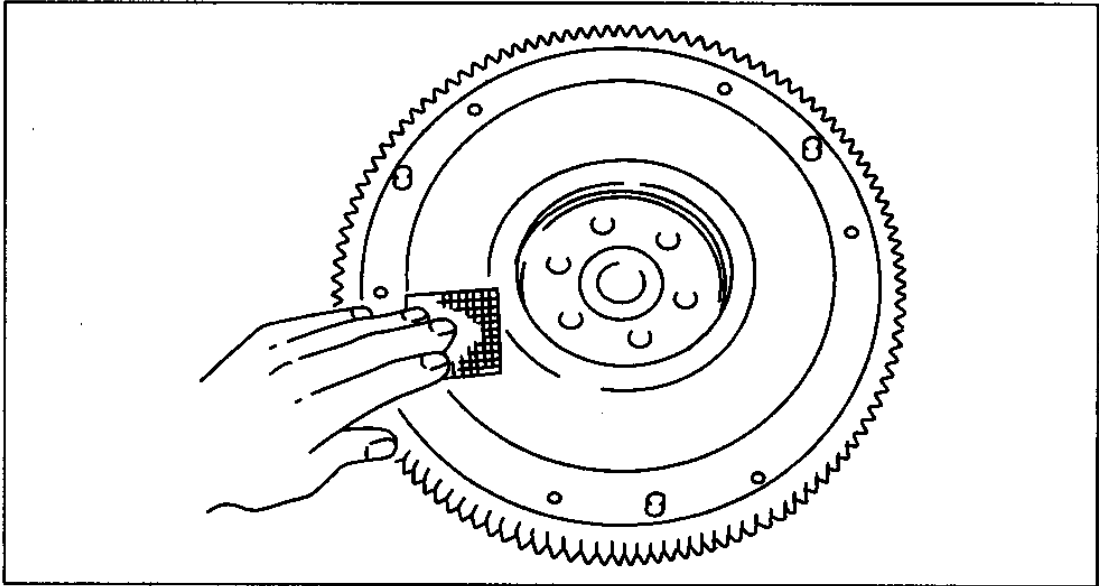


am3zzw0000031

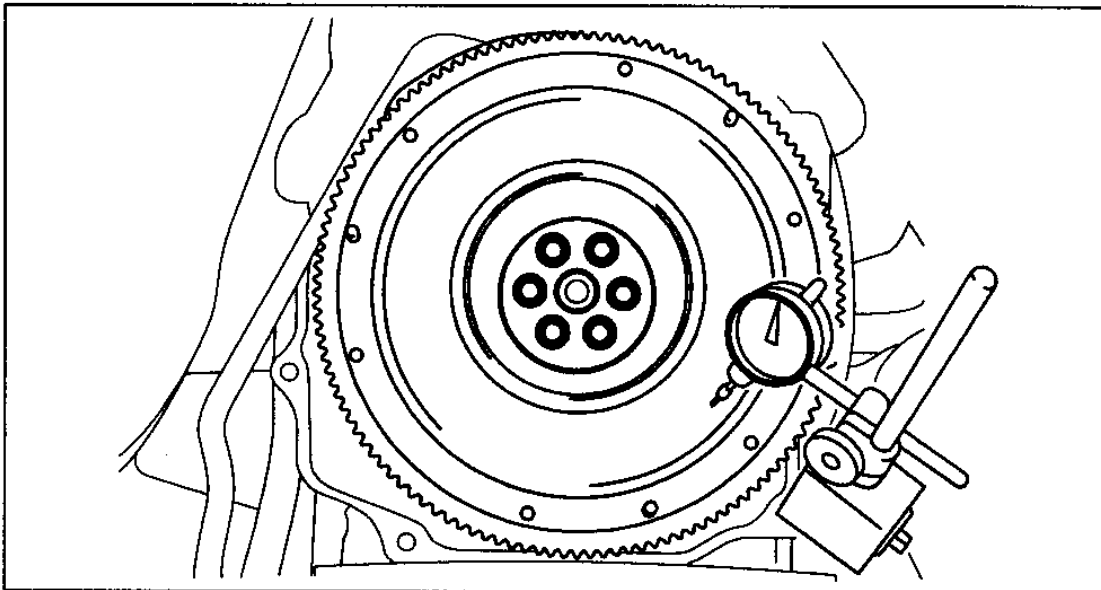


am3uuw0000018

Flywheel Inspection [LF, L3] (Article 1450644)



am3uuw000019



am3uuw000019