

Component Procedures: Turn Signals

Table of Contents

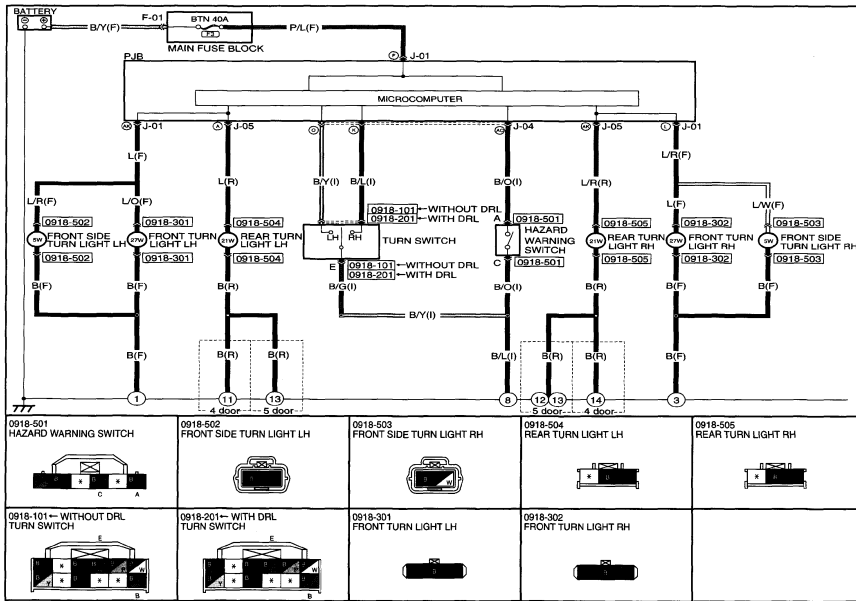
1. Electrical (OE) (itype_21)
2. Front Side Turn Light (Article 1451823)

Component Procedures: Turn Signals

Electrical (OE) (itype_21)

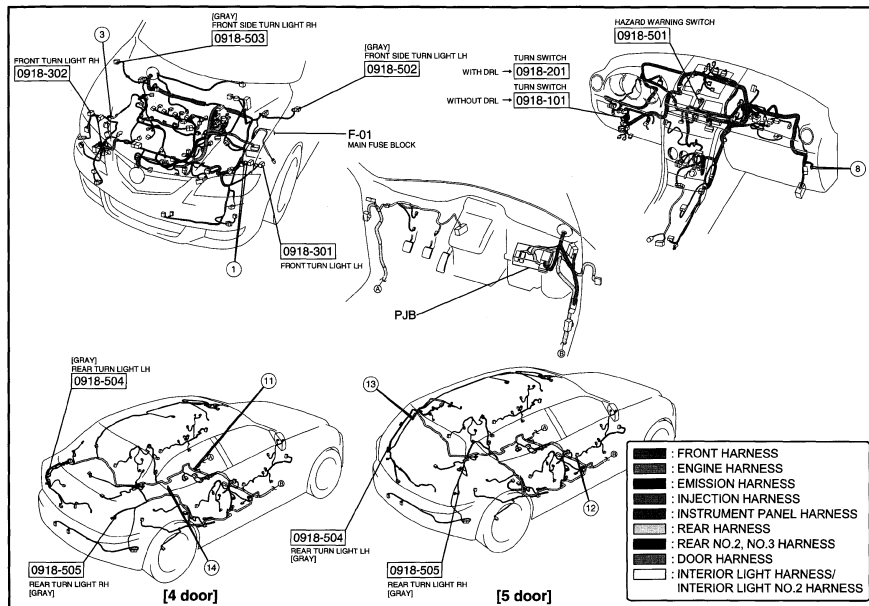
TURN AND HAZARD WARNING LIGHT

0918-5

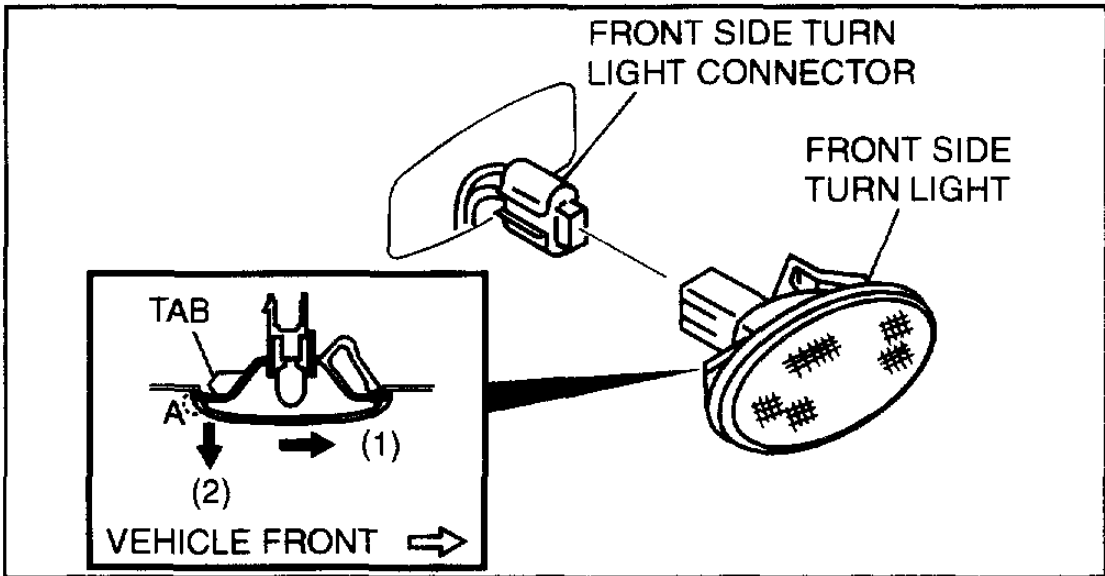


TURN AND HAZARD WARNING LIGHT

0918-5



Front Side Turn Light (Article 1451823)



B3E0918W115