

# Component Procedures: Radio, Stereo, and Compact Disc

## Table of Contents

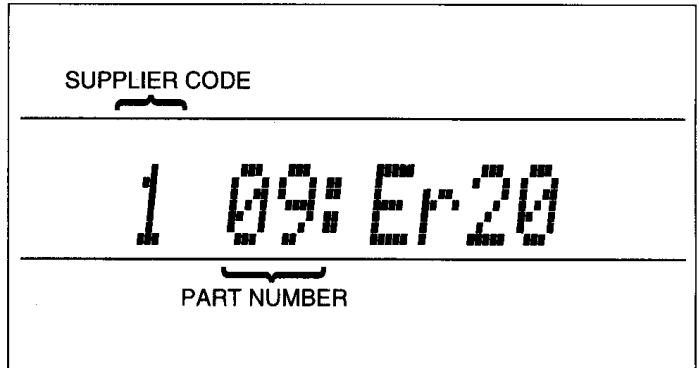
1. Components (itype\_389)
2. Audio System (Standard Type Audio/Without Car-Navigation System) (Article 1457951)
3. Audio System (Bose(R) Type Audio/Without Car-Navigation System) (Article 1457953)
4. Sound Systems - W/ Base W/ Navigation (Article 10140)
5. Sound Systems - W/ Base W/O Navigation (Article 10362)
6. Sound Systems - W/ Bose W/ Navigation (Article 10256)
7. Sound Systems - W/ Bose W/O Navigation (Article 10122)
8. Components (itype\_32)
9. Overhaul (itype\_402)
10. Removal and Replacement (itype\_401)
11. All Technical Service Bulletins (itype\_100)
12. Customer Interest Bulletins (itype\_109)
13. Repair Tips (itype\_110)
14. Component Tests and General Diagnostics (itype\_383)
15. Foreword (Article 1458830)
16. Confirmation Steps (Article 1458835)
17. Reading Diagnostic Trouble Codes (Article 1458524)
18. Clearing Diagnostic Trouble Codes (Article 1458712)
19. Entire Audio System (Article 1458097)
20. Radio System (Article 1458525)
21. CD Player/Changer (Article 1458110)
22. Erratic Operation (itype\_132)
23. Inoperative (itype\_148)
24. Noise (itype\_156)
25. Miscellaneous Information (itype\_111)
26. OEM Policies and Procedures (itype\_120)
27. Service Campaigns (itype\_108)

# Component Procedures: Radio, Stereo, and Compact Disc

## Components (itype\_389)

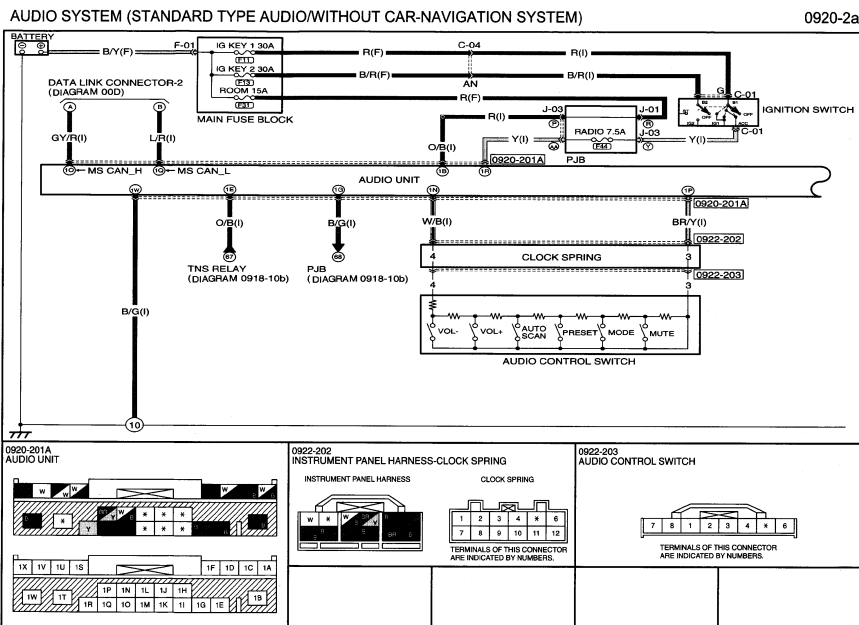
Supplier code	Supplier name
1	FMS audio
2	Panasonic
3	CLARION

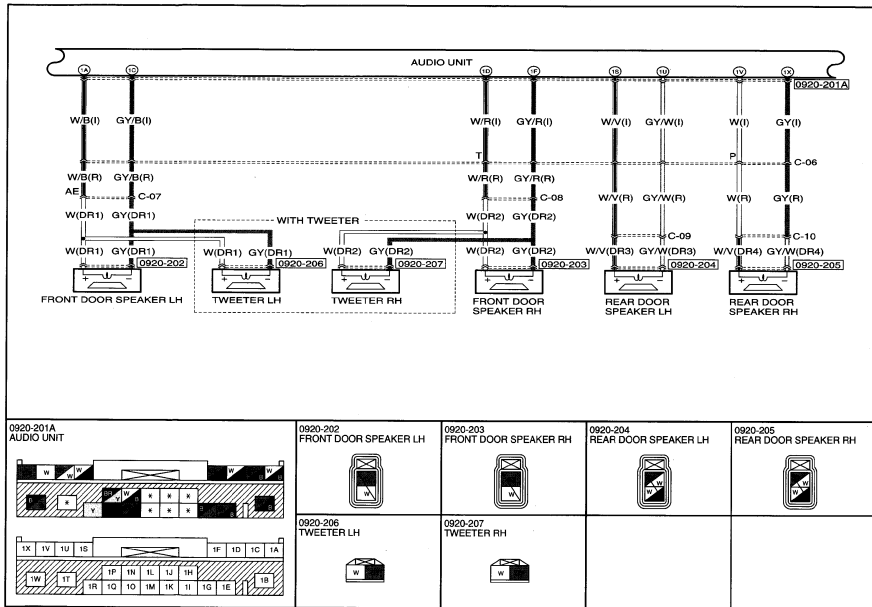
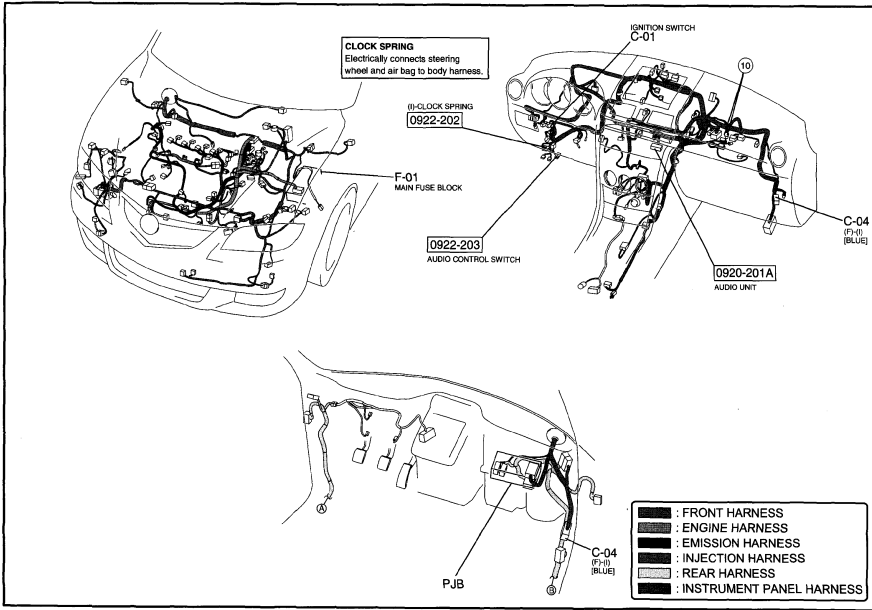
Part number	Part name
00	Cassette deck
03	CD player
05	CD changer (external)
06	CD changer (upper module)
07	MD player
09	Base unit
10	MP3 applicable CD player system



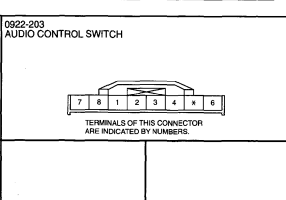
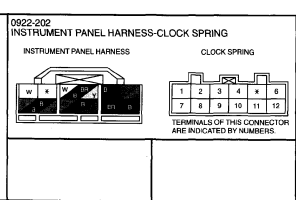
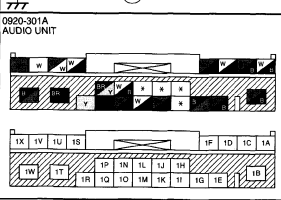
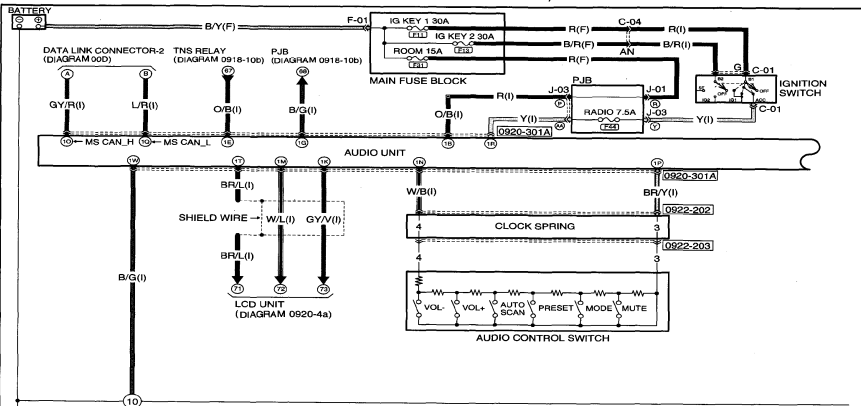
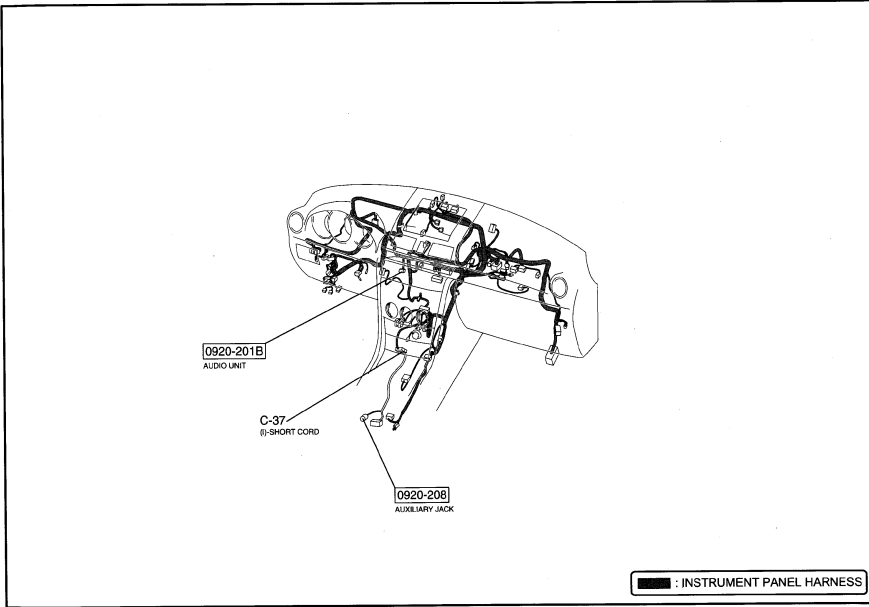
CHU0902WM02

## Audio System (Standard Type Audio/Without Car-Navigation System) (Article 1457951)

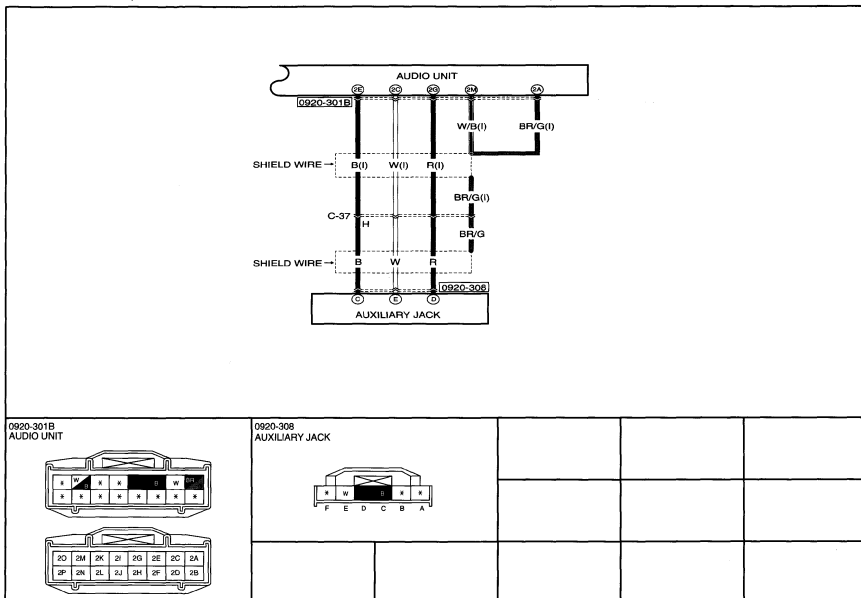
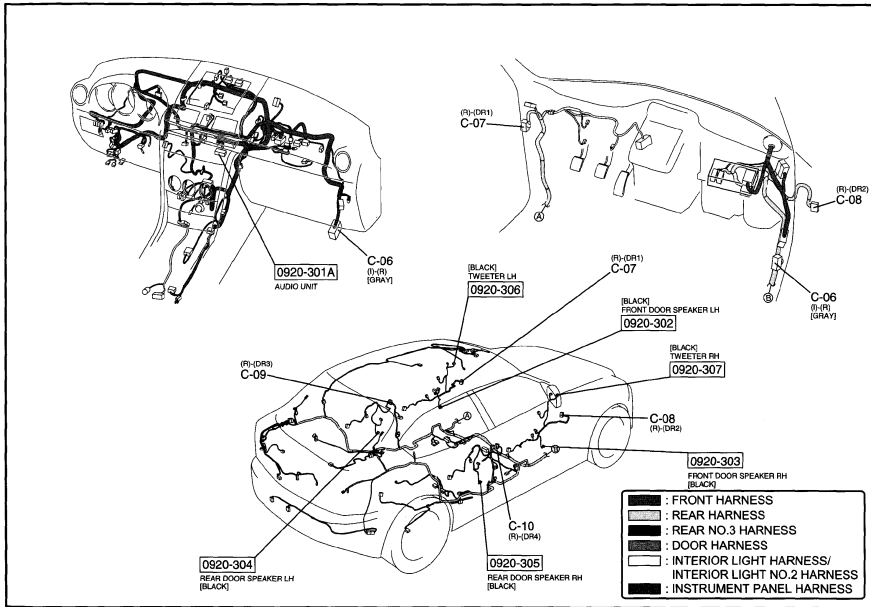


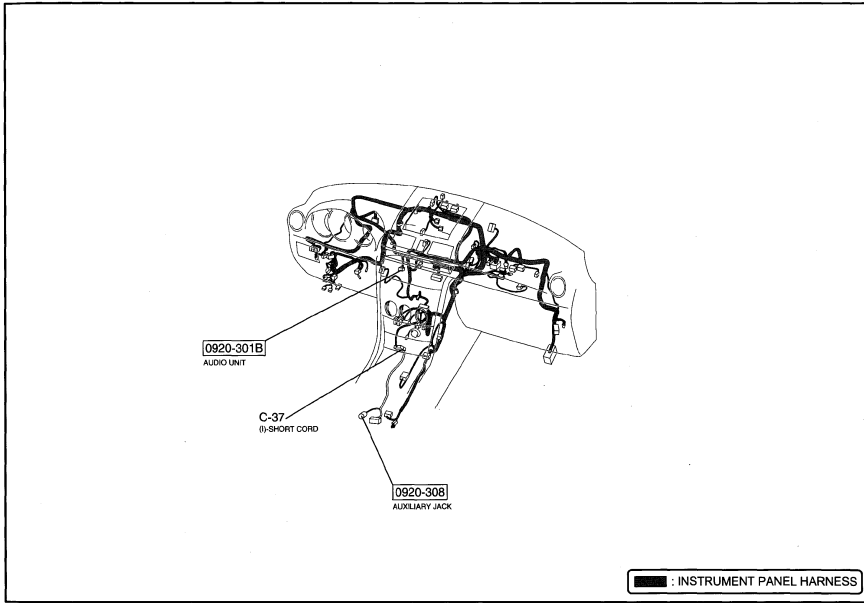




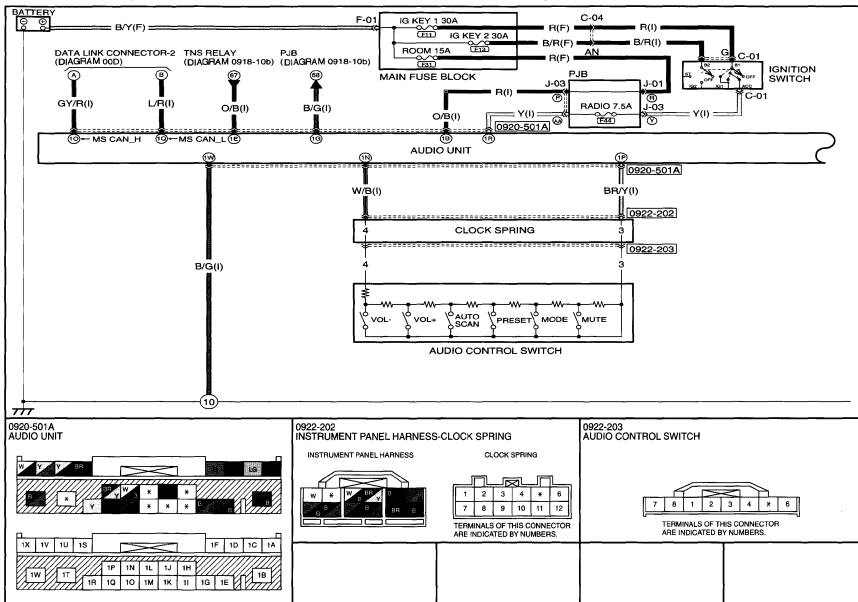


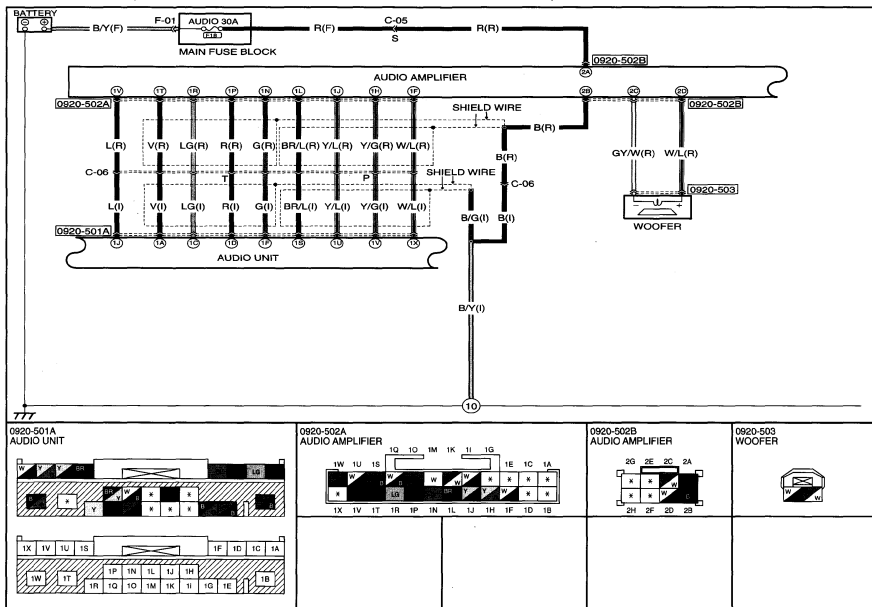
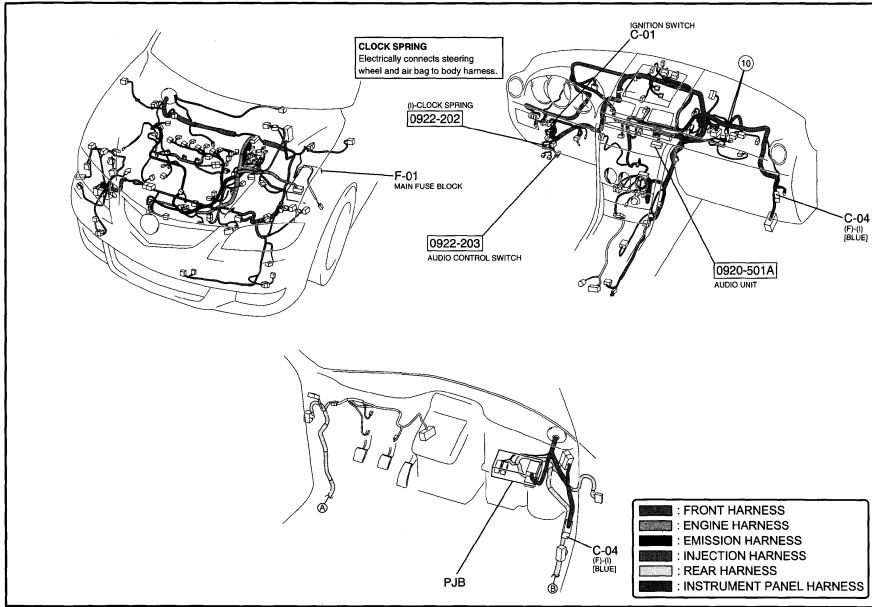


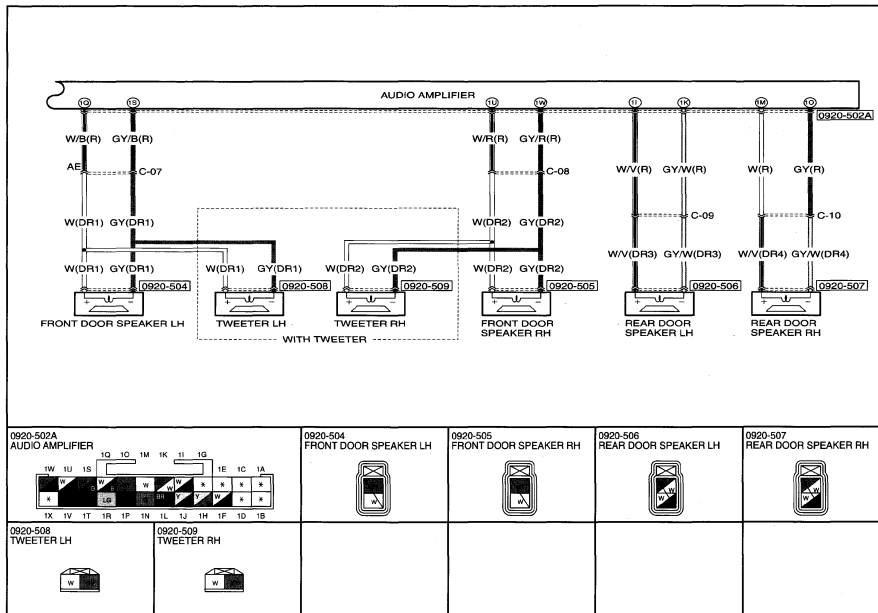
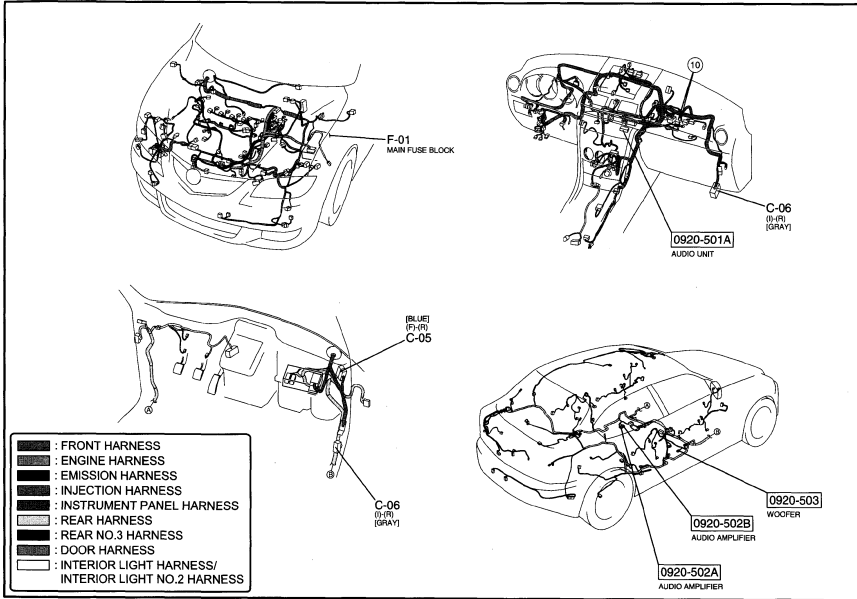


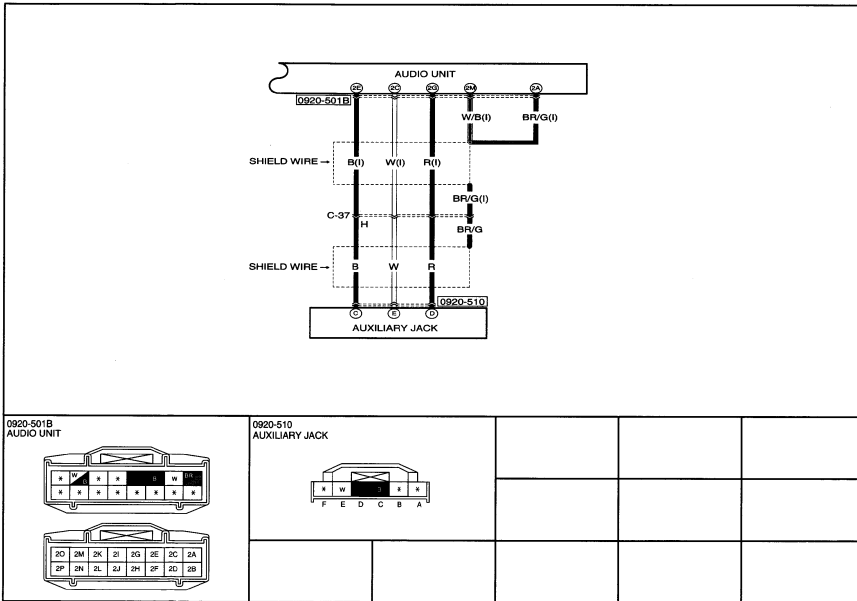
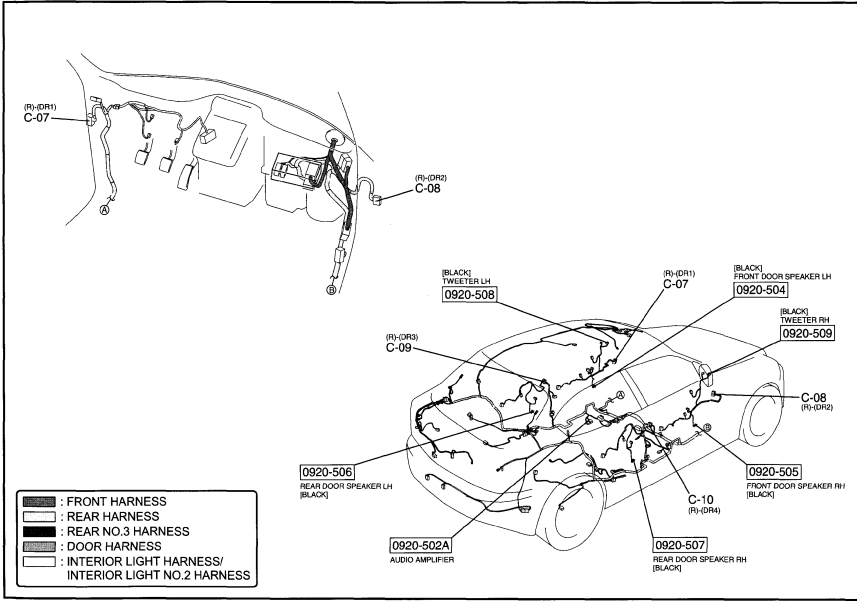


**Audio System (Bose(R) Type Audio/Without Car-Navigation System) (Article 1457953)**

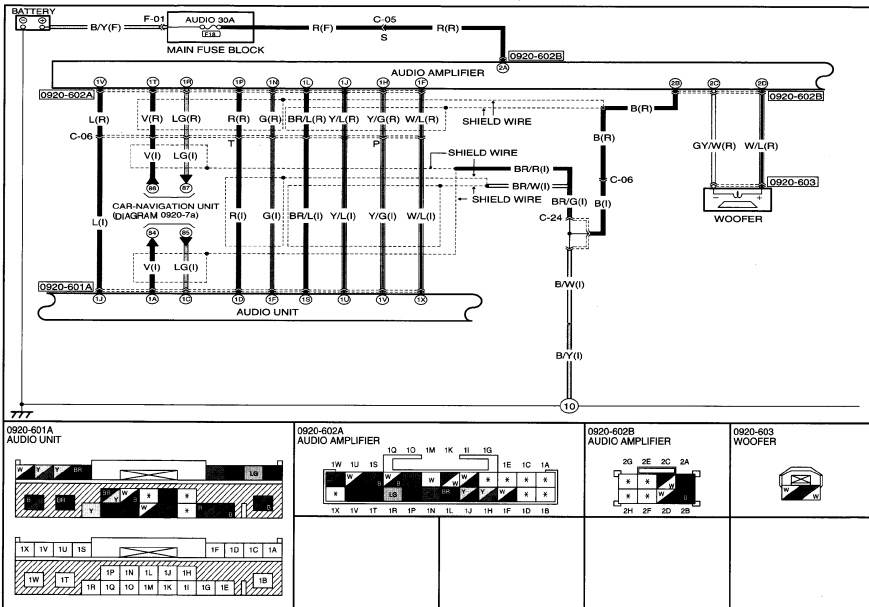
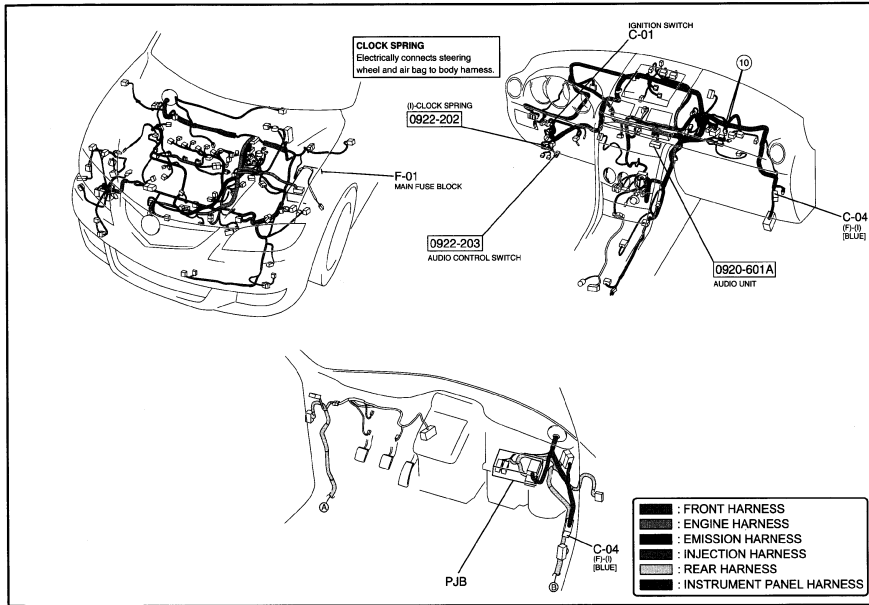


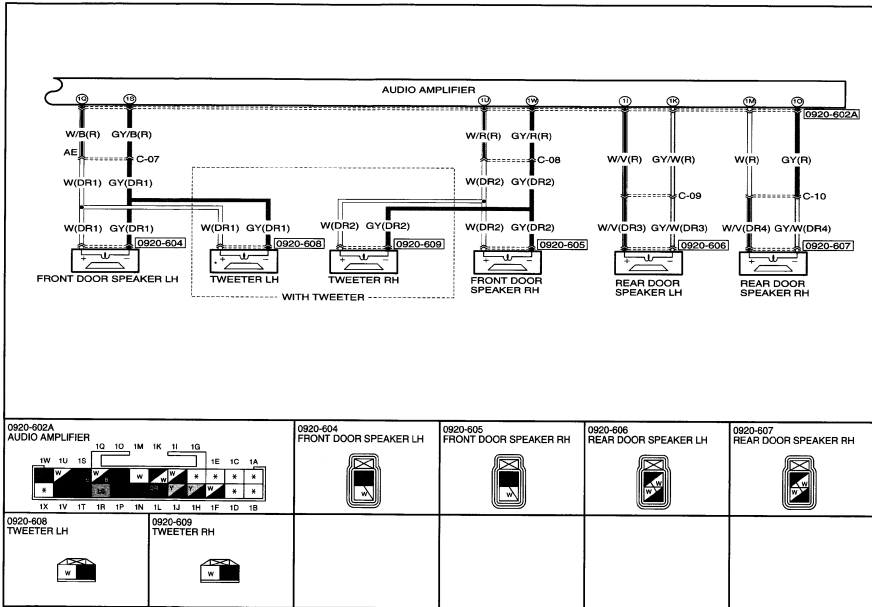
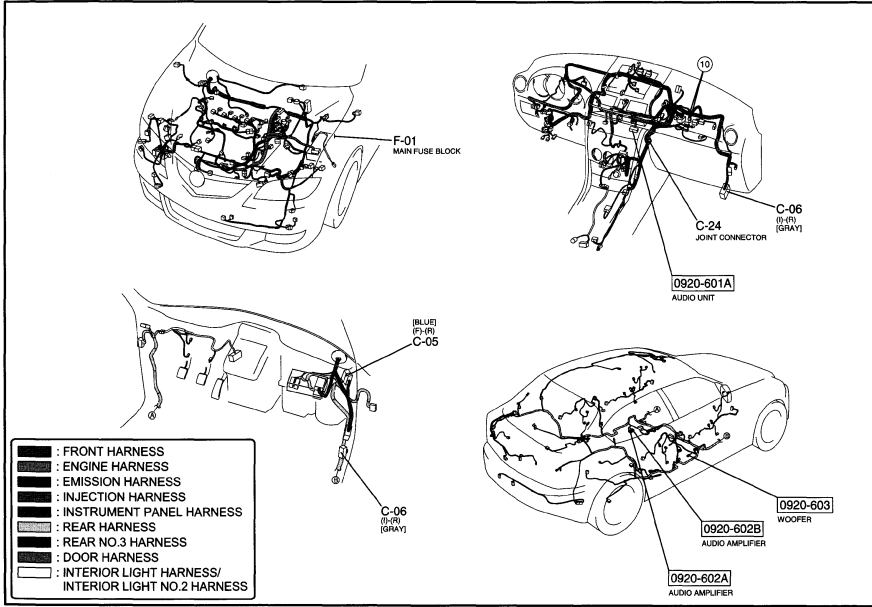


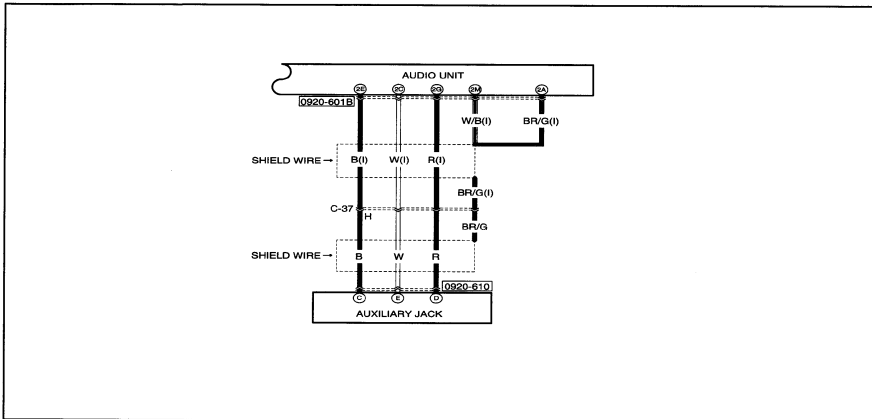
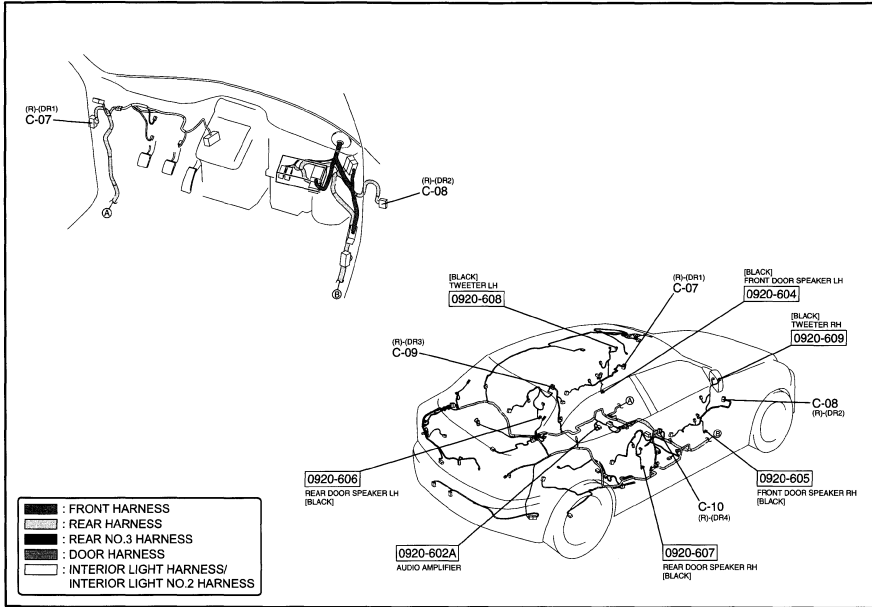




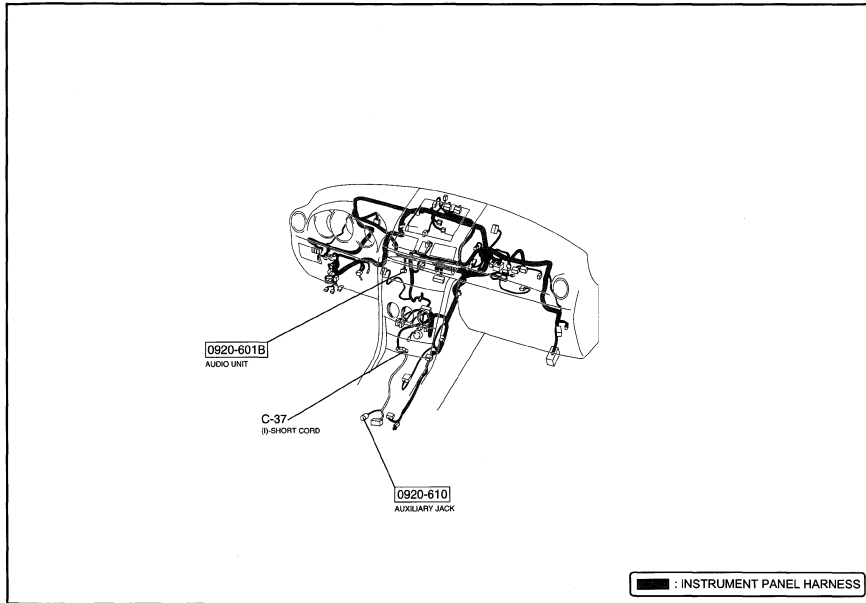








<p>0920-601B AUDIO UNIT</p>	<p>0920-610 AUXILIARY JACK</p>		



### Sound Systems - W/ Base W/ Navigation (Article 10140)

Sound Systems - W/ Base W/ Navigation

Page 1 of 1

### Sound Systems - W/ Base W/O Navigation (Article 10362)

Sound Systems - W/ Base W/O Navigation

Page 1 of 1

### Sound Systems - W/ Bose W/ Navigation (Article 10256)

Sound Systems - W/ Bose W/ Navigation

Page 1 of 2

Page 2 of 2

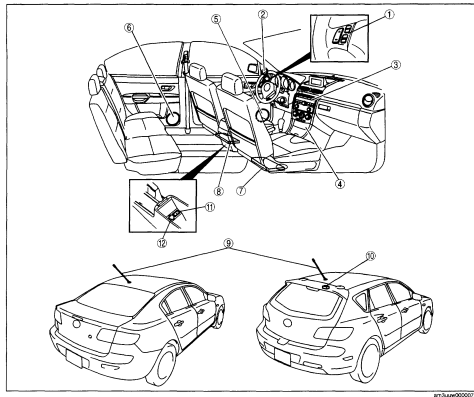
### Sound Systems - W/ Bose W/O Navigation (Article 10122)

Sound Systems - W/ Bose W/O Navigation

Page 1 of 1

### Components (itype\_32)

Audio System



1	Audio control switch
2	Front tweeter
3	Center panel module
4	Cigarette lighter

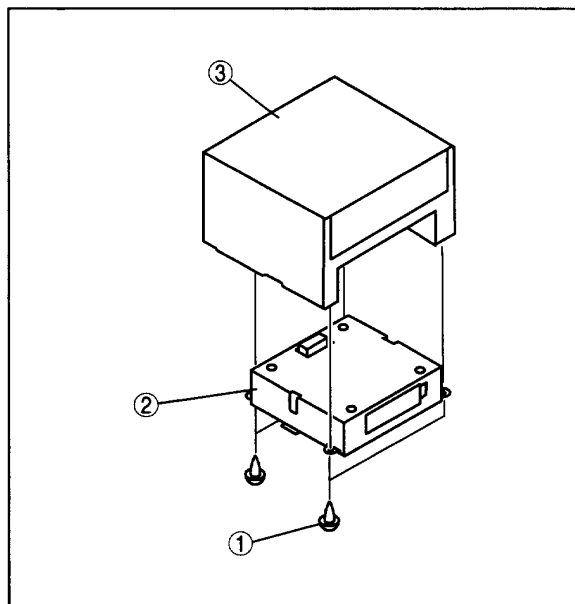
5	Front door speaker
6	Rear door speaker
7	Woofer (Bose)
8	Audio amplifier (Bose)

9	Center roof antenna
---	---------------------

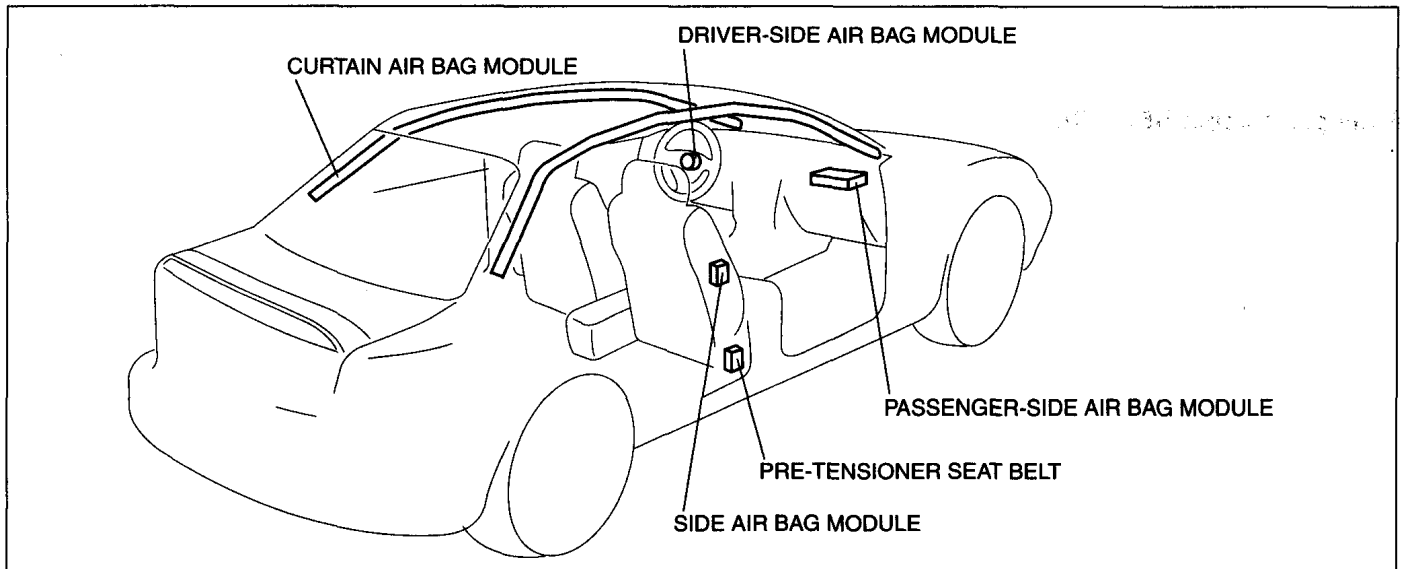
10	Condenser
11	Auxiliary jack
12	Accessory socket

Overhaul (itype\_402)

1	Screw
2	Lower module
3	Base unit



Removal and Replacement (itype\_401)



am6uuw0000162

### All Technical Service Bulletins (itype\_100)

Tsbs

- Audio System - Satellite Radio Serial Number Retrieval (MTIP-08-12-3, 2008/12/01)
- AUDIO / INFOTAINMENT SYSTEM SERVICE INFORMATION (09-004/19, 2019/01/10)
- Audio System - Satellite Presets Erased/Can't Be reset (0900909, 2009/02/16)
- Audio System - iPod(R) Adapter Application Table (MTIP-09-01-8, 2009/01/01)
- Audio System - Speaker Noise When Using Auxiliary Device (0903009, 2009/06/24)
- Audio System - Irregular Bass Operation (0901408, 2008/05/08)
- Campaign - Audio Preset Reset Method (ONP03, 2008/12/23)
- SIRIUSXM SATELLITE RADIO REGISTRATION TRANSFER AFTER UNIT REPLACEMENT (09-001/19, 2019/01/04)
- Audio System - Sirius Satellite Radio(R) Activation (0901708, 2008/06/17)

### Customer Interest Bulletins (itype\_109)

Tsbs

- Audio System - Satellite Presets Erased/Can't Be reset (0900909, 2009/02/16)
- Audio System - Speaker Noise When Using Auxiliary Device (0903009, 2009/06/24)
- Audio System - Irregular Bass Operation (0901408, 2008/05/08)

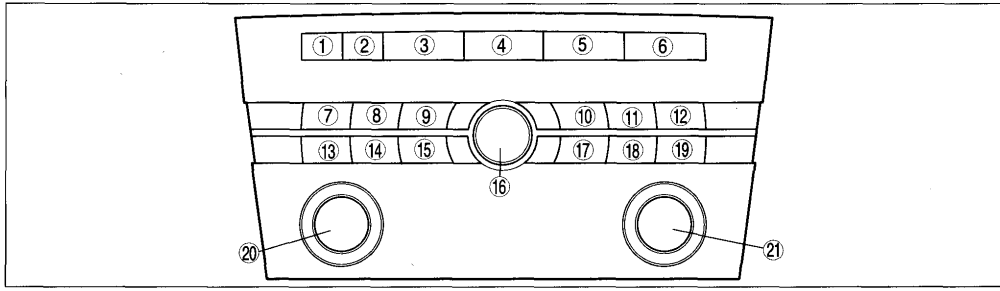
### Repair Tips (itype\_110)

Tsbs

- Audio System - Satellite Radio Serial Number Retrieval (MTIP-08-12-3, 2008/12/01)
- Audio System - iPod(R) Adapter Application Table (MTIP-09-01-8, 2009/01/01)
- Audio System - Sirius Satellite Radio(R) Activation (0901708, 2008/06/17)

### Component Tests and General Diagnostics (itype\_383)

**Structural View  
Buttons**



1	CLOCK button
2	SET button
3	FM1/2 button
4	AM button
5	CD button
6	TAPE/MD button
8	Preset button "2"
9	Preset button "3"
10	RPT button
11	SCAN button

12	SEEK UP button
13	Preset button "4"
14	Preset button "5"
15	Preset button "6"
16	POWER/VOLUME button
17	RDM button
18	PROG button
19	SEEK DOWN button
20	AUDIO CONT button
21	TUNE/TEXT/AUTO-M button

INSPECTION	DISPLAY	ACTION	
Start the LCD inspection mode.		The characters displayed on the LCD are not truncated or faint.	The LCD is normal.
		Except above	Replace the information display.

INSPECTION	DISPLAY	ACTION	
<ul style="list-style-type: none"> <li>Start the button inspection mode.</li> <li>Press all buttons.</li> </ul>	—	The buzzer sounds.	The button is normal.
		The buzzer does not sound.	Replace the base unit.

INSPECTION	DISPLAY	ACTION	
<ul style="list-style-type: none"> <li>Start the speaker inspection mode.</li> <li>Does each speaker output sound in the following order?                             <ol style="list-style-type: none"> <li>Front passenger-side door speaker and tweeter</li> <li>Front driver-side door speaker and tweeter</li> <li>Driver-side rear door speaker</li> <li>Passenger-side rear door speaker</li> </ol> </li> </ul>	—	Yes	Speakers, and wiring harness between the base unit and speakers are normal.
		No	<ul style="list-style-type: none"> <li>Inspect the following parts.                             <ul style="list-style-type: none"> <li>Malfunctioning speaker</li> <li>Wiring harness between base unit and malfunctioning speaker</li> </ul> </li> </ul>

INSPECTION	DISPLAY	ACTION
Start the radio reception condition inspection mode.	NORMAL CONDITION LEV-5   LEV-9	Antenna, antenna feeder and base unit are normal
	LEV-3   LEV-4	Change the frequency (radio station) and inspect again.
	MALFUNCTION PRESENT LEV-0   LEV-2	Inspect the antenna and antenna feeder. <ul style="list-style-type: none"> <li>• If either the antenna or the antenna feeder is not normal, replace the malfunctioning part.</li> <li>• If the antenna and antenna feeder are normal, replace the base unit.</li> </ul>

### Foreword (Article 1458830)

Non Standards

- Entire Audio System (1458831)
- Radio System (1458922)

### Confirmation Steps (Article 1458835)

Non Standards

- Entire Audio System (1458836)
- Radio System (1458923)

### Reading Diagnostic Trouble Codes (Article 1458524)

Non Standards

- Without Manufacturer's Scan Tool (1458745)

### Clearing Diagnostic Trouble Codes (Article 1458712)

Non Standards

- Without Manufacturer's Scan Tool (1458746)

### Entire Audio System (Article 1458097)

Non Standards

- Troubleshooting Index (1458098)
- Quick Diagnostic Chart (1458140)
- No.1 AF Noise or Pop Noise At All Sources (Radio, CD) (1458398)
- No.2 No Power to the Entire Audio System (1458521)
- No.3 No Sound From All Speakers (1428409)
- No.4 No Sound From Some Speakers (1458137)
- No.5 Sound Break-Up or Poor Sound Quality (1458522)
- No.6 Volume Increases/Decreases While Driving the Vehicle (1458523)
- No.7 ALC Function Is Inoperative (1458135)
- No.8 No Audio System Illumination (1458475)

### Radio System (Article 1458525)

Non Standards

- No.1 No Radio Reception (AM/FM)/No or Low Volume (1458526)
- No.2 Noise From Radio (AM Only) (1458527)
- No.3 Noise From Radio (FM Only) (1458528)
- No.4 Cannot Tune (Seek Does Not Stop) (1458529)

- No.5 Cannot Preset (Preset Function Does Not Operate) (1458530)
- No.6 Reception Frequency of Radio Slips (1458531)
- Troubleshooting Index (1458532)
- Quick Diagnostic Chart (1458533)

## **CD Player/Changer (Article 1458110)**

### Non Standards

- No.1 CD Player/Changer Does Not Load the CD or Ejects the CD Immediately (1424923)
- No.2 CD Player/Changer Does Not Eject the CD (1458534)
- No.3 CD Player/Changer Does Not Play the CD/No Sound (1425332)
- No.4 Sound Jumps (1458206)
- No.5 Scratches on the CD (1458535)
- No.6 Disc Change Is Inoperative (1424924)
- No.7 Track Change Is Inoperative (1458477)
- Troubleshooting Index (1458111)
- Quick Diagnostic Chart (1458212)

## **Erratic Operation (itype\_132)**

### Tsbs

- Audio System - Satellite Presets Erased/Can't Be reset (0900909, 2009/02/16)
- Audio System - Irregular Bass Operation (0901408, 2008/05/08)

## **Inoperative (itype\_148)**

### Tsbs

- Audio System - Satellite Presets Erased/Can't Be reset (0900909, 2009/02/16)

## **Noise (itype\_156)**

### Tsbs

- Audio System - Speaker Noise When Using Auxiliary Device (0903009, 2009/06/24)

## **Miscellaneous Information (itype\_111)**

### Tsbs

- AUDIO / INFOTAINMENT SYSTEM SERVICE INFORMATION (09-004/19, 2019/01/10)

## **OEM Policies and Procedures (itype\_120)**

### Tsbs

- SIRIUSXM SATELLITE RADIO REGISTRATION TRANSFER AFTER UNIT REPLACEMENT (09-001/19, 2019/01/04)

## **Service Campaigns (itype\_108)**

### Tsbs

- Campaign - Audio Preset Reset Method (ONP03, 2008/12/23)