

Component Procedures: Map Light

Table of Contents

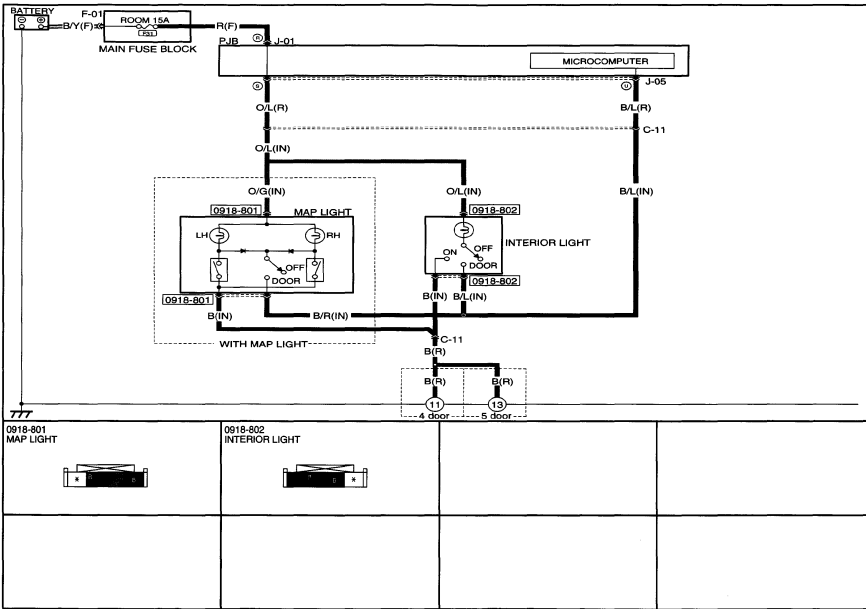
1. Electrical (OE) (itype_21)
2. Removal and Replacement (itype_401)
3. Component Tests and General Diagnostics (itype_383)

Component Procedures: Map Light

Electrical (OE) (itype_21)

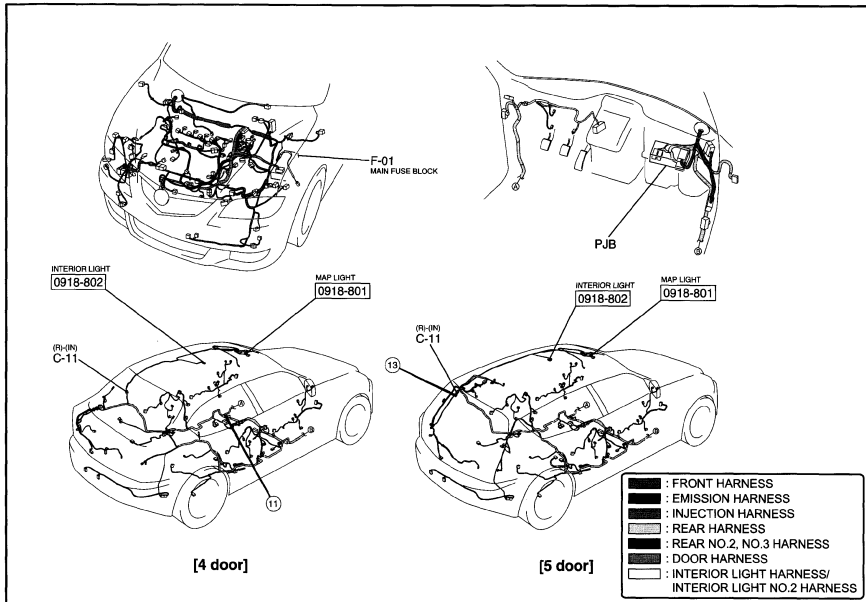
INTERIOR LIGHT/MAP LIGHT

0918-8

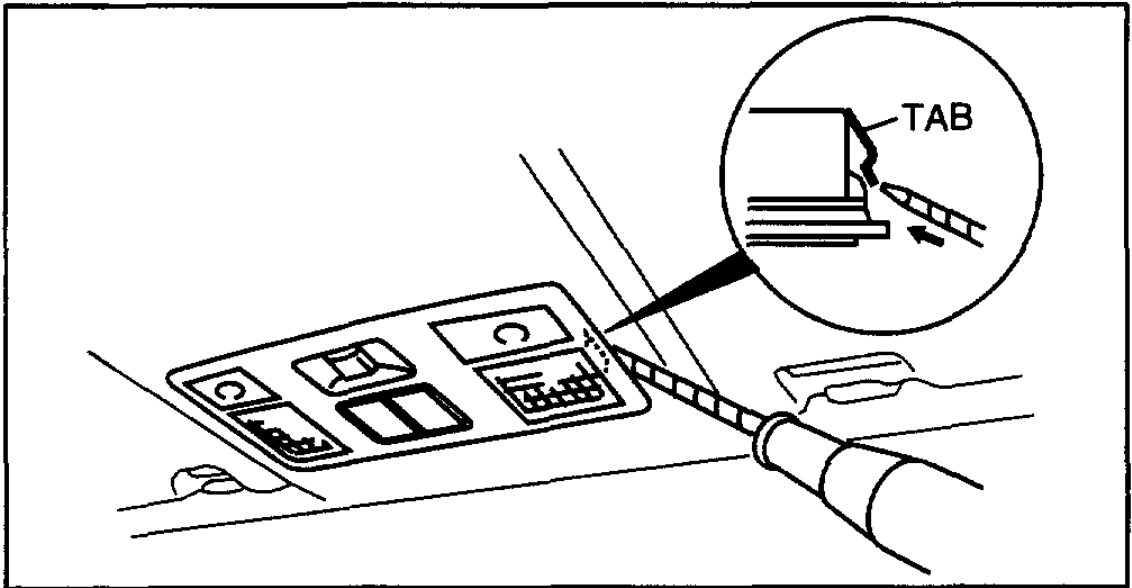


INTERIOR LIGHT/MAP LIGHT

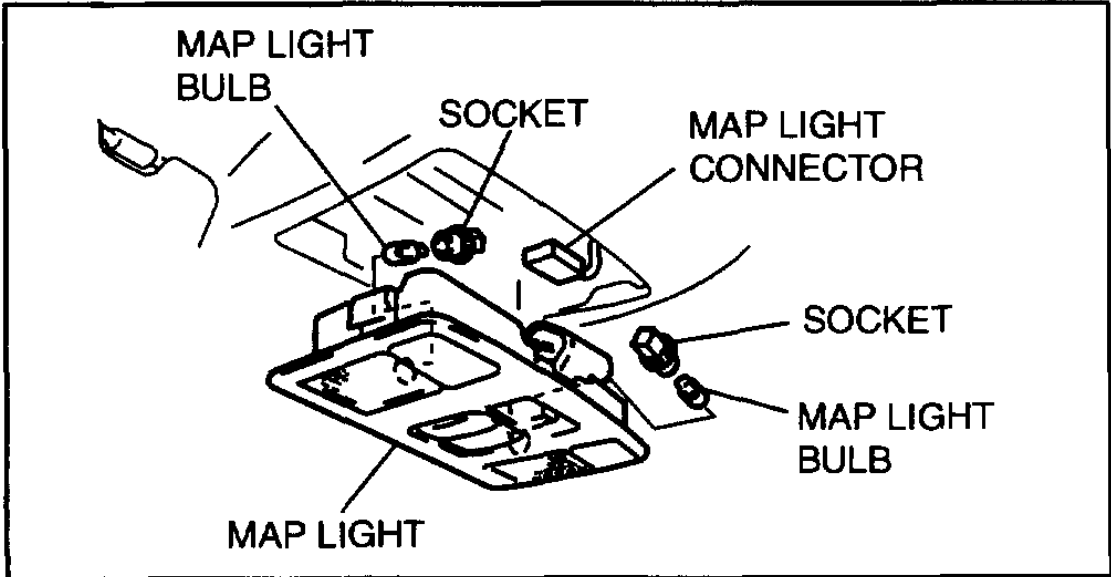
0918-8



Removal and Replacement (itype_401)



B3E0918W145

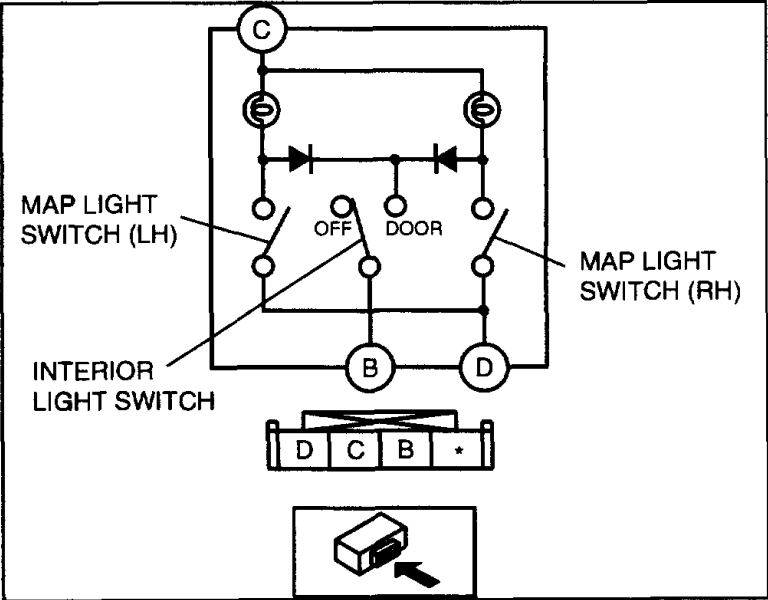


B3E0918W144

○ ⊕ ○ : Bulb

Switch position		Terminal		
Map light switch	Interior light switch	B	C	D
On	-		○ — ⊕ — ○	
-	DOOR	○ — ⊕ — ○		
Off	OFF			

b3e0918w147



B3E0918W146