

Component Procedures: Center Mounted Brake Lamp

Table of Contents

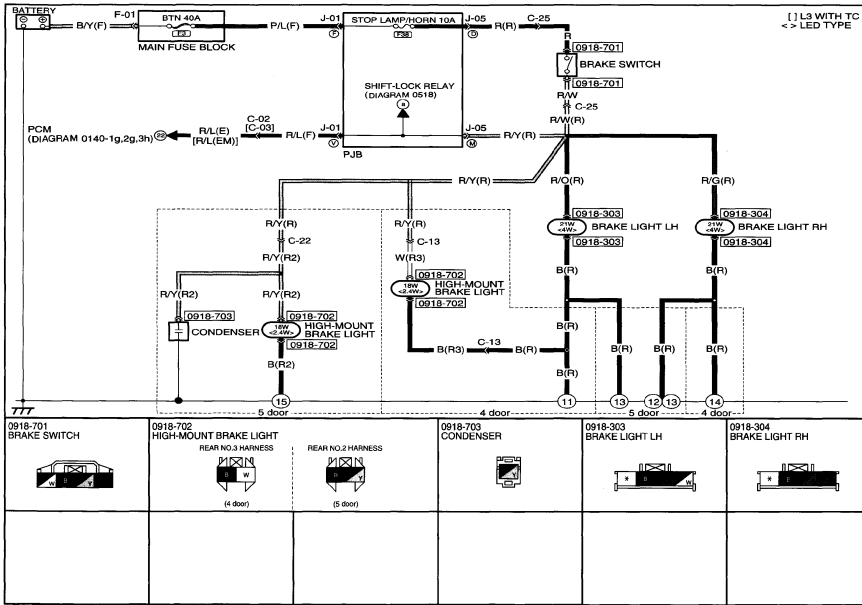
1. Electrical (OE) (itype_21)
2. Removal and Replacement (itype_401)

Component Procedures: Center Mounted Brake Lamp

Electrical (OE) (itype_21)

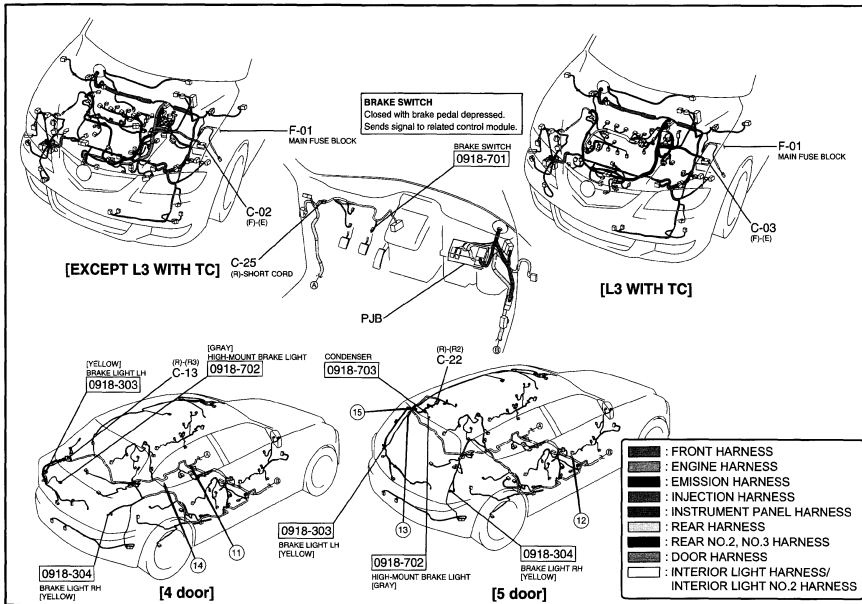
BRAKE LIGHT/HIGH-MOUNT BRAKE LIGHT

0918-7



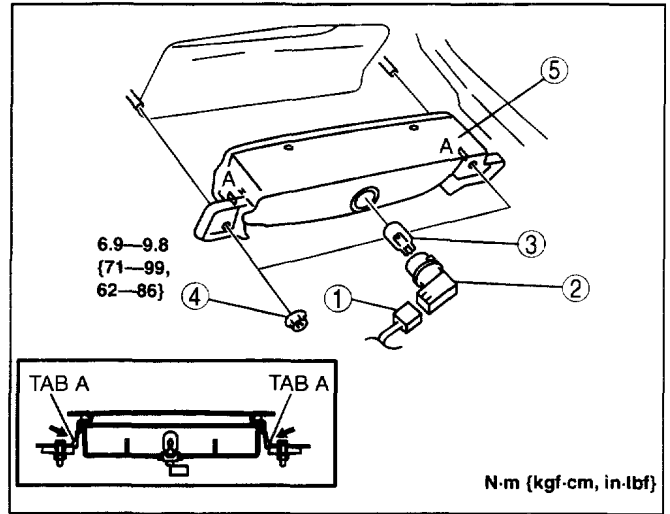
BRAKE LIGHT/HIGH-MOUNT BRAKE LIGHT

0918-7



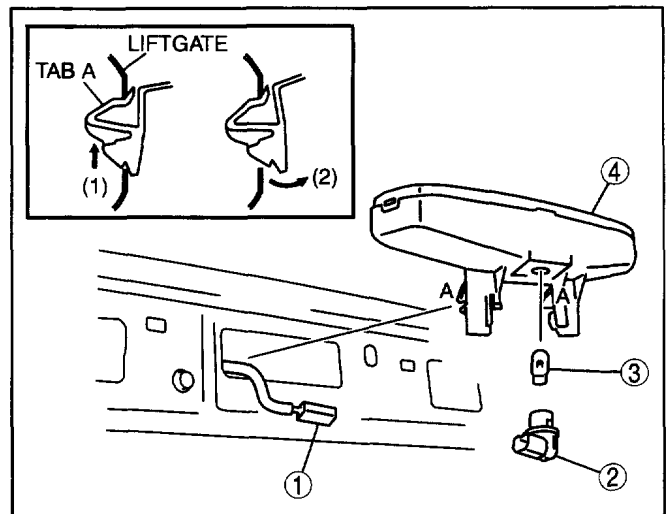
Removal and Replacement (itype_401)

1	Connector
2	Socket
3	High-mount brake light bulb
4	Nut
5	High-mount brake light



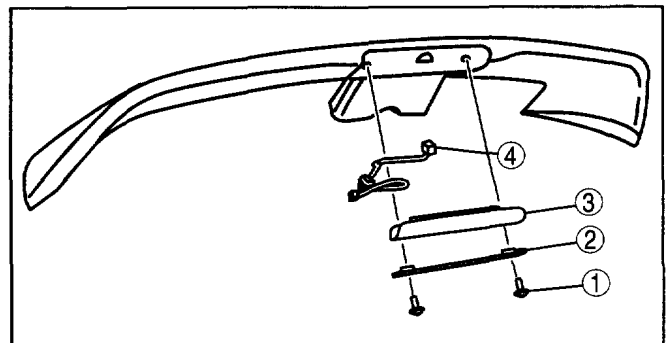
am3uuw000007

1	Connector
2	Socket
3	High-mount brake light bulb
4	High-mount brake light



am3uuw000007

1	Screw
2	Bracket
3	High-mount brake light
4	Connector



am3uuw0000018