

Component Procedures: Fuel Pump Relay

Table of Contents

1. Parts and Labor (itype_189)
2. Components (itype_32)
3. Relay Inspection (Article 1409253)
4. Melting of Main or Other Fuses (Article 1409272)

Component Procedures: Fuel Pump Relay

Parts and Labor (itype_189)

Parts

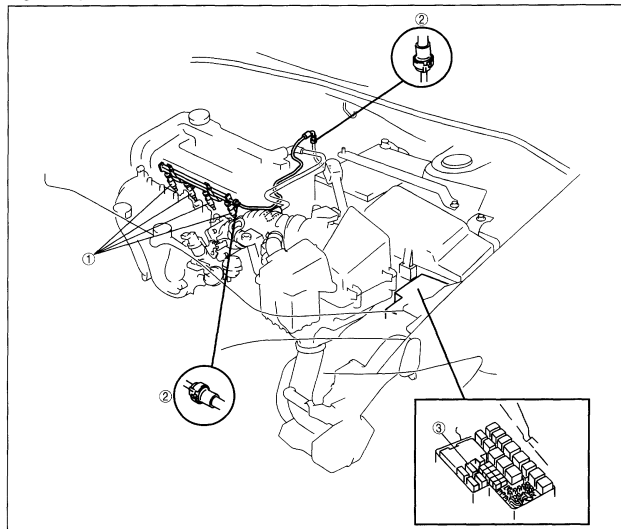
Qualifier	Part #	Name	Price	Note
Fuel Pump Relay	AJ5118821	Ecm Relay	12.45	

Labor

Operation	Qualifier Path	Skill	Std Hrs	Wty Hrs
Replace	Fuel Pump Relay, R&R	B	0.3	0.2

Components (itype_32)

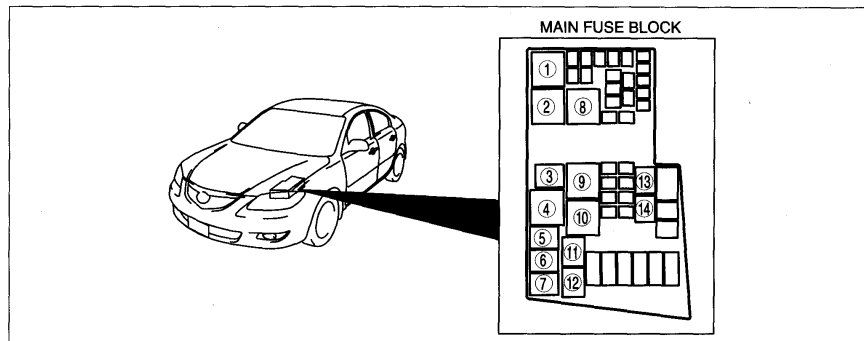
Engine Compartment Side



1	Fuel injector	2	Quick release connector (Type A)
		3	Fuel pump relay

RELAY LOCATION

id092100800600



c3u0921w001

1	Main relay	9	DRL relay (L3 with TC) Blower relay (except L3 with TC)
2	Starter relay	10	Headlight cleaner relay (L3 with TC) Rear washer relay (except L3 with TC)
3	A/C relay	11	Rear window defroster relay
4	Blower relay (L3 with TC)	12	Front fog light relay
5	Injector driver relay (L3 with TC) AT main relay (FS5A-EL)	13	Fuel pump relay No.2 (L3 with TC) DRL relay (except L3 with TC) Headlight cleaner relay (except L3 with TC)
6	Drive-by-wire relay	14	Fuel pump relay
7	Horn relay		
8	Rear washer relay (L3 with TC)		

Relay Inspection (Article 1409253)

RELAY INSPECTION

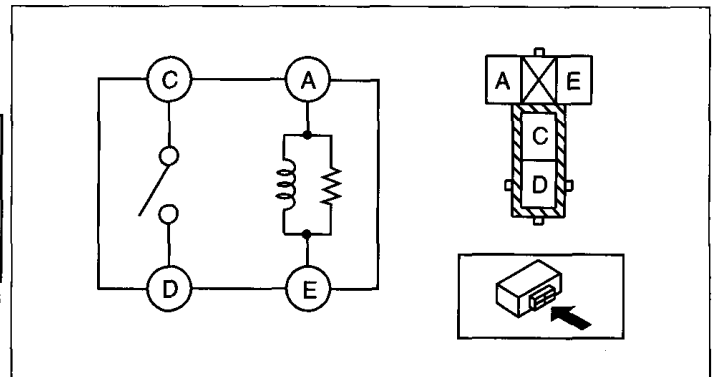
Relay type

Terminal type	Part name
4 terminals	Type A <ul style="list-style-type: none"> • A/C relay • AT main relay • Injector driver relay • Drive-by-wire relay • Horn relay • Rear window defroster relay • Front fog light relay • Headlight cleaner relay (except L3 with TC) • DRL relay (except L3 with TC) • Fuel pump relay • Fuel pump relay No.2
	Type B <ul style="list-style-type: none"> • Main relay • Starter relay • Blower relay • Rear washer relay • DRL relay (L3 with TC) • Headlight cleaner relay (L3 with TC)

○—○ : Continuity

Step	Terminal			
	A	E	C	D
1	○—○			
2	B+	GND	○—○	

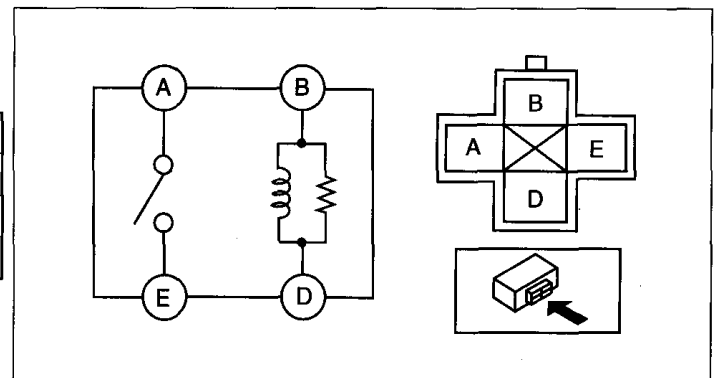
am8rrw00000328



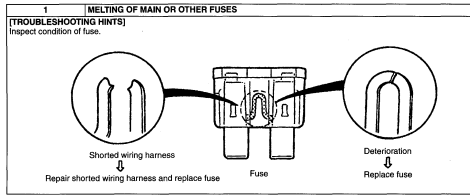
○—○ : Continuity

Step	Terminal			
	B	D	A	E
1	○—○			
2	B+	GND	○—○	

am8rrw00000330



Melting of Main or Other Fuses (Article 1409272)



Damaged fuse	Related wiring harness
MAIN	MAIN fuse • Generator • Starter
ENGINE	ENGINE fuse • Main Relay — ENG BAR1 fuse — ENG BAR2 fuse — ENG BAR3 fuse — ENG BAR4 fuse (California emission regulation applicable model) — EGI INJ fuse
ENG BAR1	ENG BAR1 fuse • PCM (4EAT) • Purge solenoid valve • Variable intake-air solenoid valve • EGR valve • Variable tumble solenoid valve • OCV • MAF/AT sensor • VSS (4EAT) • Accelerator pedal position sensor • EVAP system leak detection pump • ET control relay
ENG BAR2	ENG BAR2 fuse • PCM
ENG BAR3	ENG BAR3 fuse • Front HCDS heater (California emission regulation applicable model) • Middle HCDS heater (California emission regulation applicable model) • Rear HCDS heater (except for California emission regulation applicable model)
ENG BAR4 (California emission regulation applicable model)	ENG BAR4 fuse • Rear HCDS heater (California emission regulation applicable model)
EGI INJ	EGI INJ fuse • Front HCDS heater (except for California emission regulation applicable model) • Fuel injectors
IG KEY1	IG KEY1 fuse • Ignition switch — ENGINE fuse (in PJB)
IG KEY2	IG KEY2 fuse • Ignition switch — BACK fuse (in PJB)

Damaged fuse	Related wiring harness
ENGINE (in PJB)	ENGINE fuse (in PJB) • PCM • Fuel pump relay • Ignition coils • Condenser
STARTER	STARTER fuse • Starter relay — Starter
ENG+B	ENG+B fuse • PCM
BTN	BTN fuse • OBD fuse (in PJB)
OBD (in PJB)	OBJ fuse (in PJB) • DLC-2
F/PUMP	F/PUMP fuse • Fuel pump relay • ET control relay
FAN	FAN fuse • FAN control module
BACK (in PJB)	BACK fuse (in PJB) • TR switch