

Component Procedures: License Plate Lamp

Table of Contents

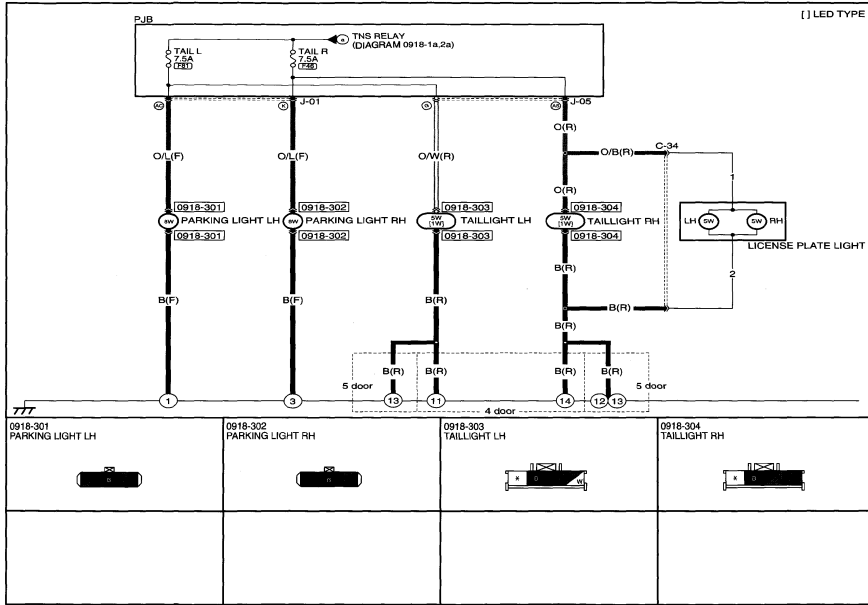
1. Electrical (OE) (itype_21)
2. Removal and Replacement (itype_401)

Component Procedures: License Plate Lamp

Electrical (OE) (itype_21)

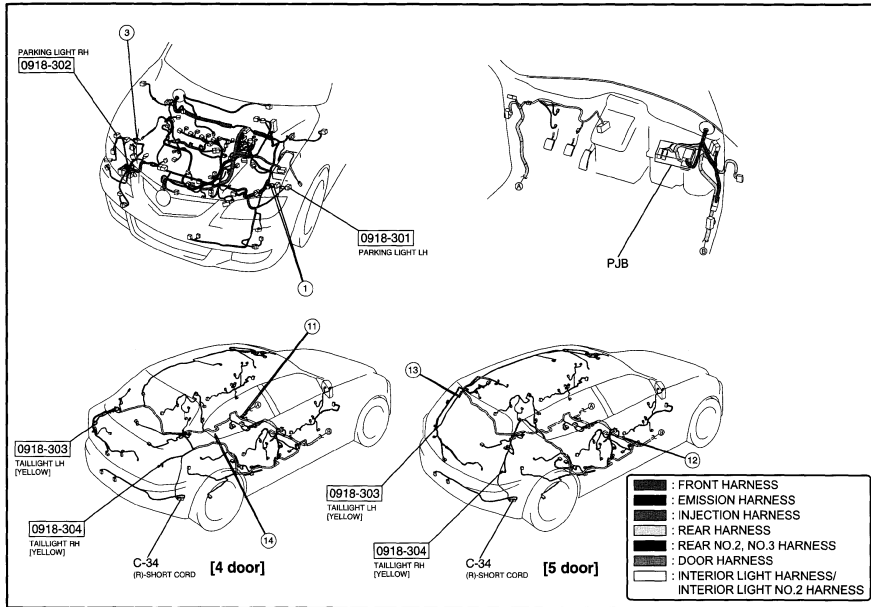
LICENSE PLATE LIGHT/PARKING LIGHT/TAILLIGHT

0918-3

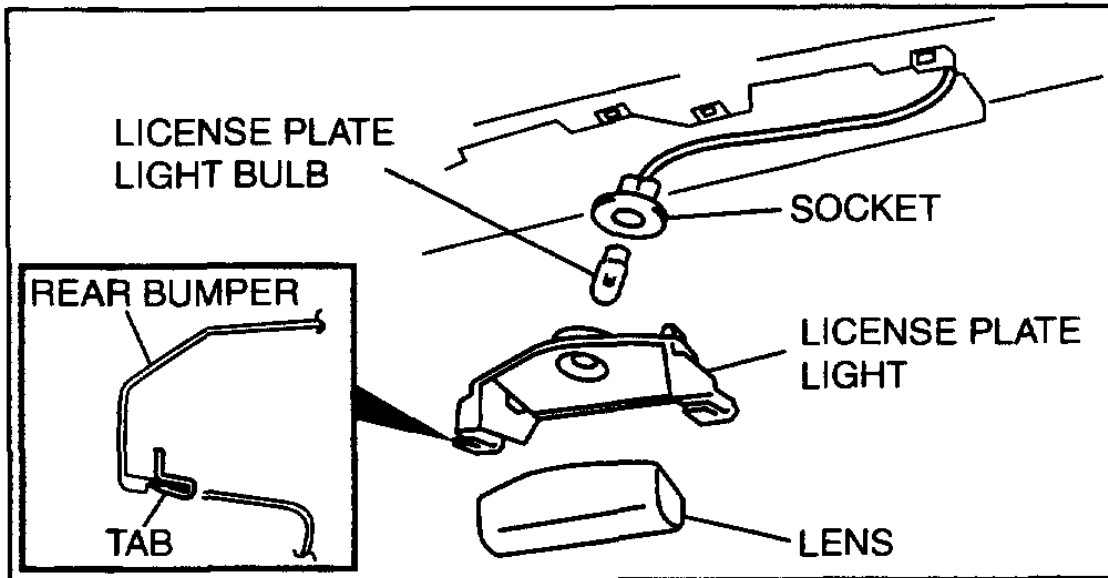


LICENSE PLATE LIGHT/PARKING LIGHT/TAILLIGHT

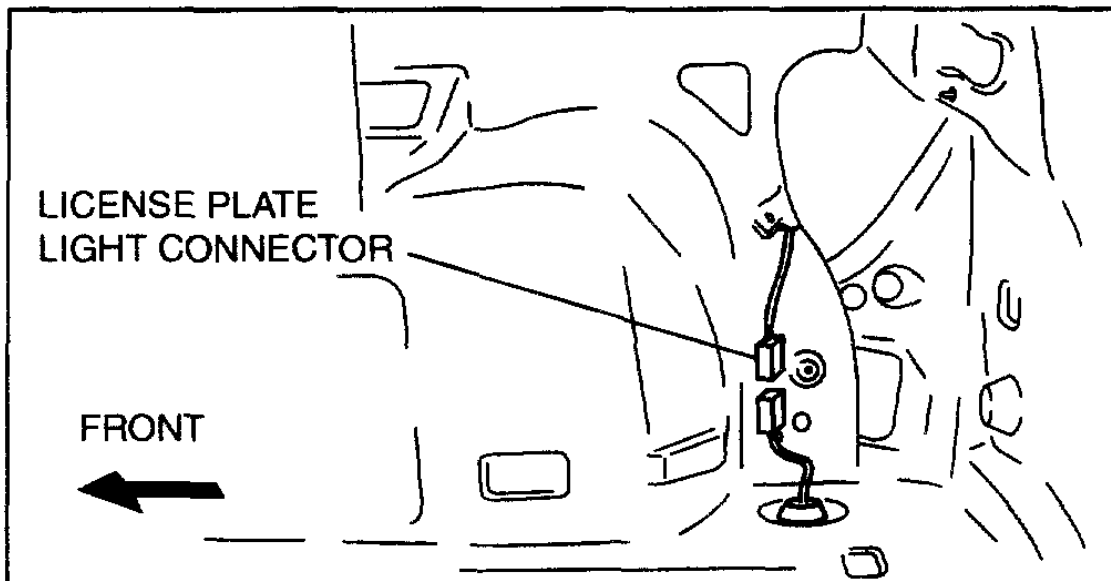
0918-3



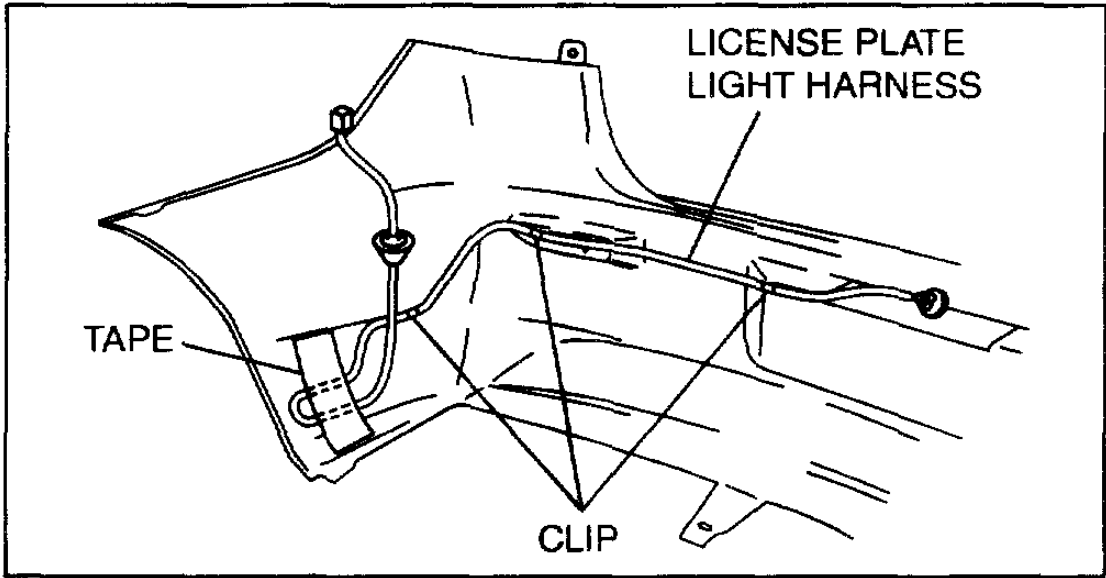
Removal and Replacement (itype_401)



b3e0918w121



B3E0918W175



c3u0918w122