

# **Component Procedures: Shift Interlock Solenoid**

## **Table of Contents**

1. Parts and Labor (itype\_189)
2. Automatic Transaxle Shift Mechanism Location Index (Article 1358502)

# Component Procedures: Shift Interlock Solenoid

## Parts and Labor (itype\_189)

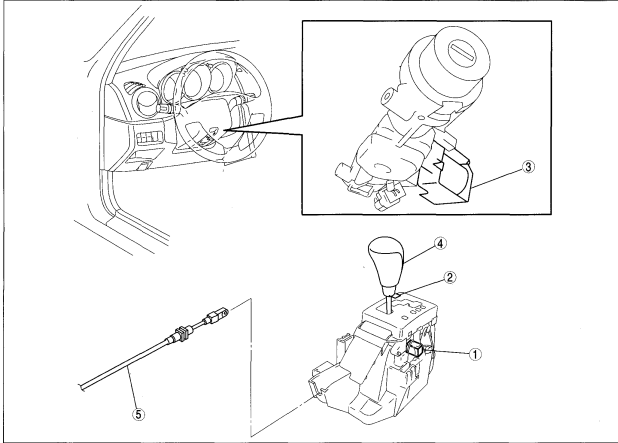
### Labor

Operation	Qualifier Path	Skill	Std Hrs	Wty Hrs
Replace	Actuator	B	0.8	0.5

## Automatic Transaxle Shift Mechanism Location Index (Article 1358502)

### AUTOMATIC TRANSAXLE SHIFT MECHANISM LOCATION INDEX

1051800801000



c3u2518w003

1	Shift-lock solenoid (See SHIFT-LOCK INSPECTION.) (See SHIFT-LOCK SOLENOID INSPECTION.)
2	Emergency override button (See EMERGENCY OVERRIDE BUTTON INSPECTION.)
3	Key interlock solenoid (See KEY INTERLOCK SOLENOID INSPECTION.)

4	Selector lever (See SELECTOR LEVER INSPECTION.) (See SELECTOR LEVER COMPONENT INSPECTION.) (See SELECTOR LEVER COMPONENT REMOVAL/INSTALLATION.) (See SELECTOR LEVER DISASSEMBLY/ASSEMBLY.)
5	Selector cable (See SELECTOR CABLE ADJUSTMENT.)