

# **Component Procedures: Variable Induction Control Solenoid**

## **Table of Contents**

1. Variable Intake Air Solenoid Valve Inspection (Article 1358381)
2. Variable Tumble Solenoid Valve Inspection (Article 1358380)

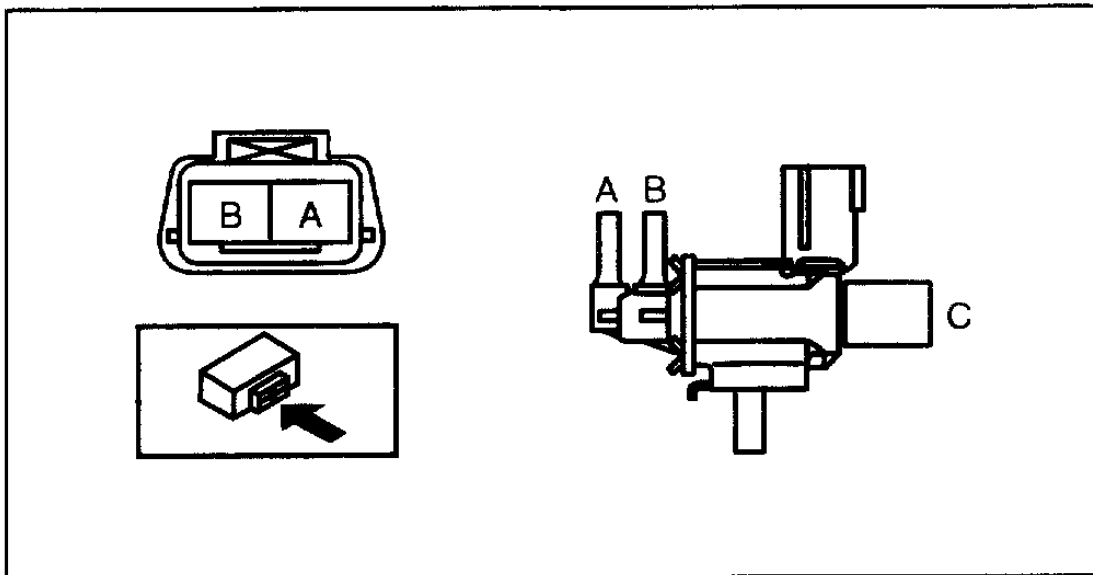
# Component Procedures: Variable Induction Control Solenoid

## Variable Intake Air Solenoid Valve Inspection (Article 1358381)

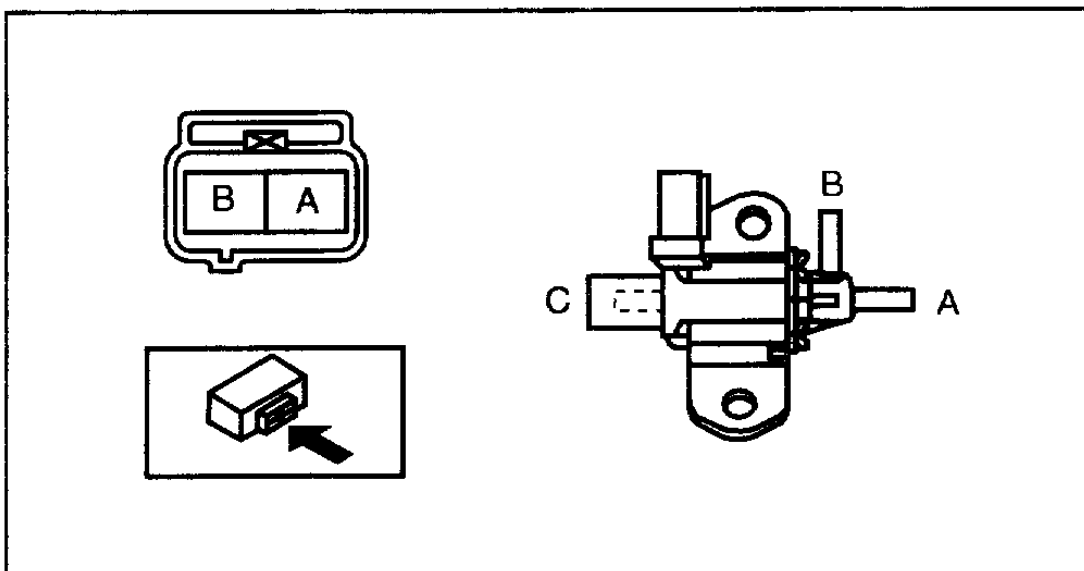
○—○ : Continuity ○=○ : Airflow

Step	Terminal		Port		
	A	B	A	B	C
1	○—○			○=○	○=○
2	B+	GND	○=○	○=○	

C3U0113W011



C3U0113W012



C3U0113W014

PCM  
HARNESS SIDE CONNECTOR

2BE	2BA	2AW	2AS	2AO	2AK	2AG	2AC	2Y	2U	2Q	2M	2I	2E	2A
2BF	2BB	2AX	2AT	2AP	2AL	2AH	2AD	2Z	2V	2R	2N	2J	2F	2B

2BG	2BC	2AY	2AU	2AQ	2AM	2AI	2AE	2AA	2W	2S	2O	2K	2G	2C
2BH	2BD	2AZ	2AV	2AR	2AN	2AJ	2AF	2AB	2X	2T	2P	2L	2H	2D



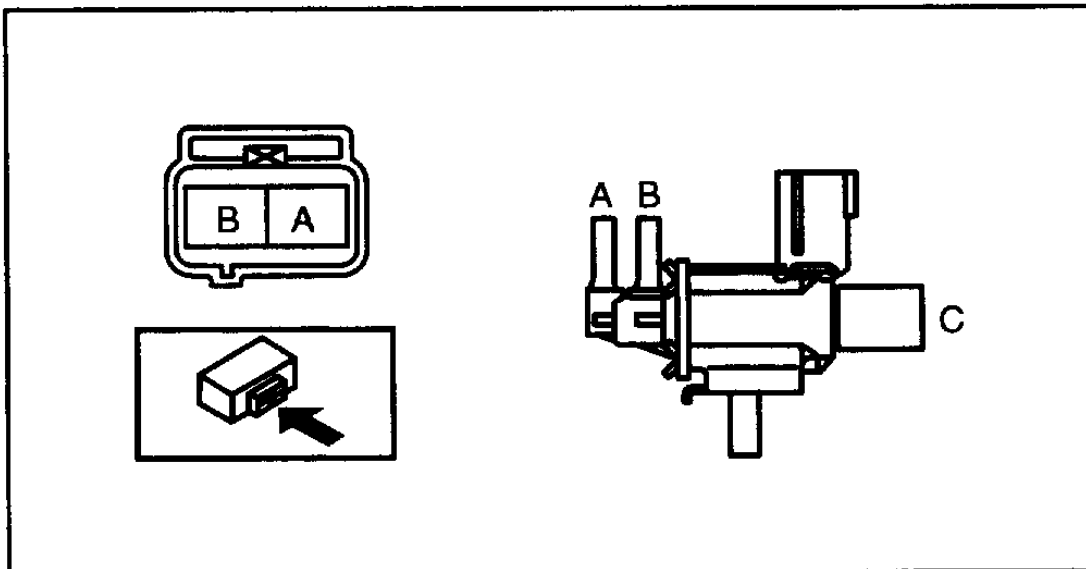
E3U140ZW6092

Variable Tumble Solenoid Valve Inspection (Article 1358380)

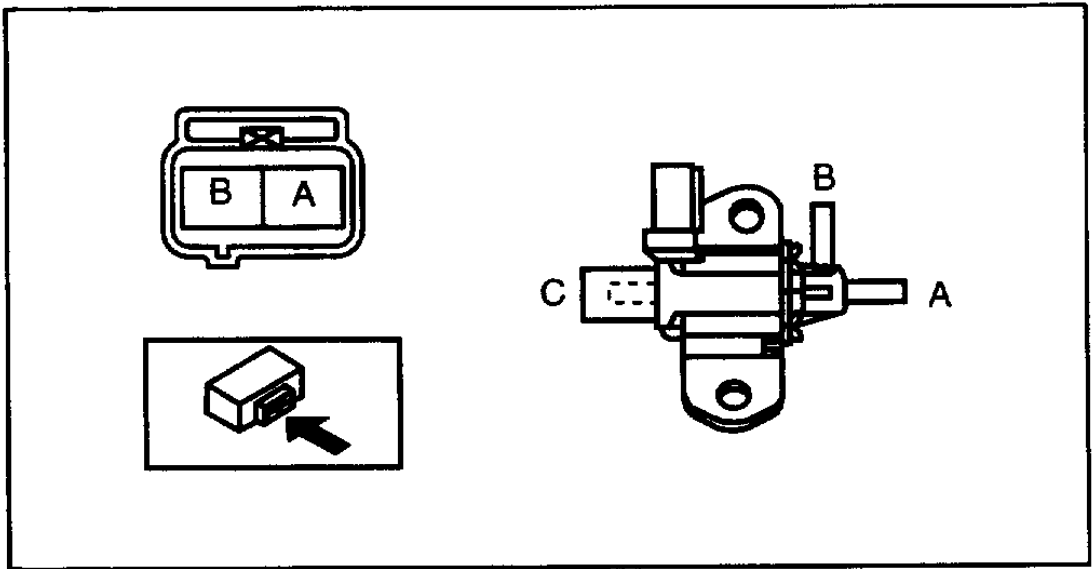
○—○ : Continuity    ○=○ : Airflow

Step	Terminal		Port		
	A	B	A	B	C
1	○—○	○—○		○=○	○=○
2	B+	GND	○—○	○—○	

C3U0113W018



C3U0113W019



C3U0113W020

PCM  
HARNESS SIDE CONNECTOR

2BE	2BA	2AW	2AS	2AO	2AK	2AG	2AC	2Y	2U	2Q	2M	2I	2E	2A
2BF	2BB	2AX	2AT	2AP	2AL	2AH	2AD	2Z	2V	2R	2N	2J	2F	2B

2BG	2BC	2AY	2AU	2AQ	2AM	2AI	2AE	2AA	2W	2S	2O	2K	2G	2C
2BH	2BD	2AZ	2AV	2AR	2AN	2AJ	2AF	2AB	2X	2T	2P	2L	2H	2D



E3U146ZW6990