

Component Procedures: Spoiler

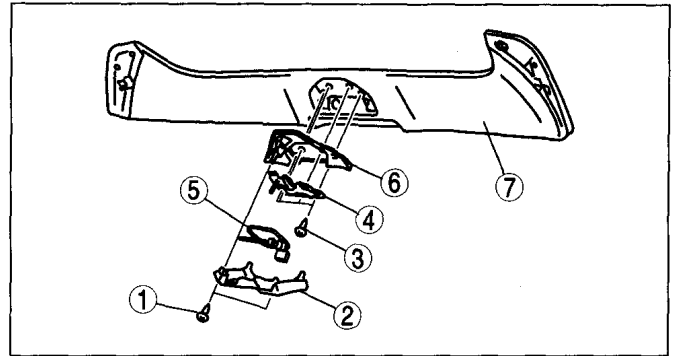
Table of Contents

1. Overhaul (itype_402)
2. Removal and Replacement (itype_401)

Component Procedures: Spoiler

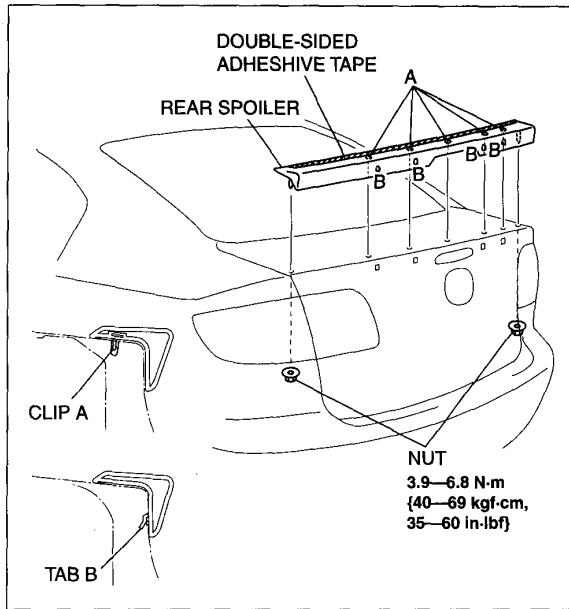
Overhaul (itype_402)

1	Screw
2	Cover
3	Screw
4	Bracket
5	Connector
6	Cover
7	Rear spoiler

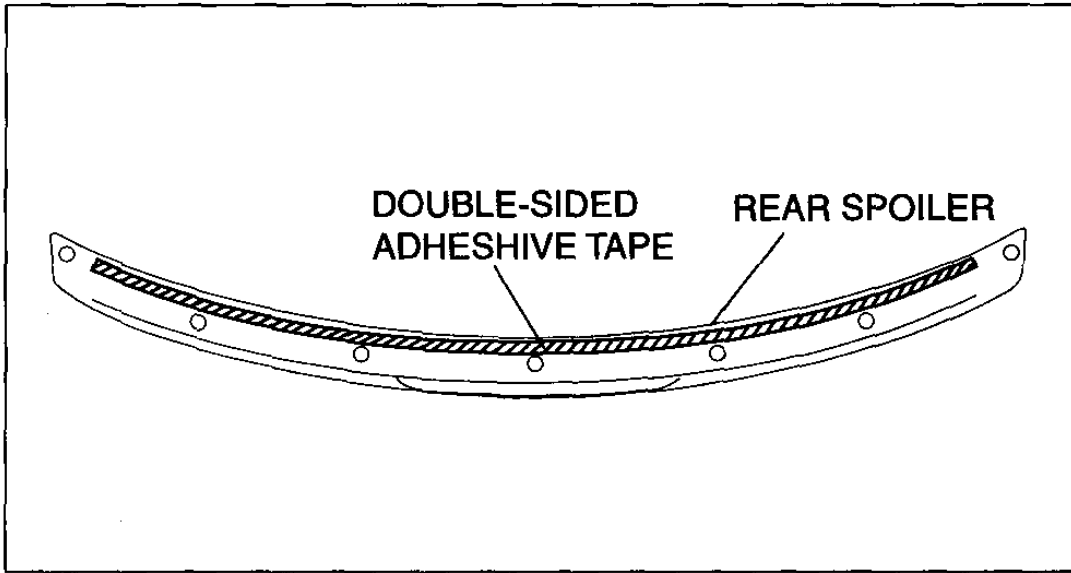


am3uuw000026

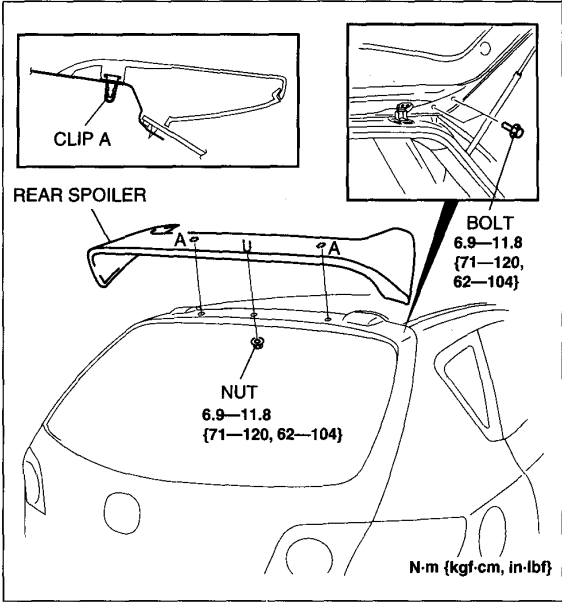
Removal and Replacement (itype_401)



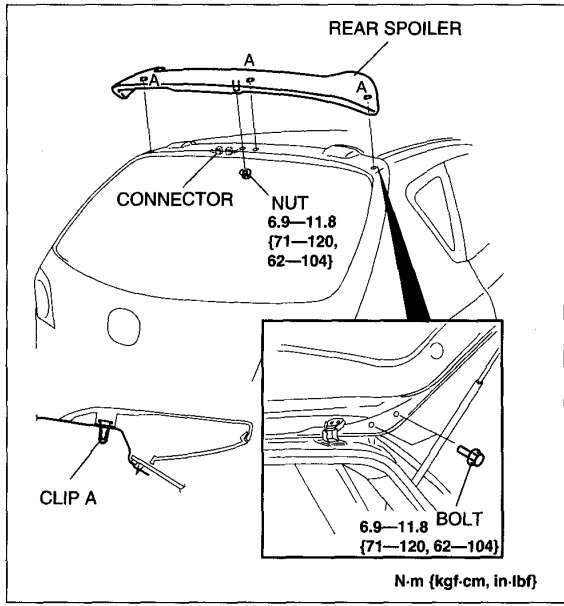
am3uuw000007



am3uuw000007



am3uuw000007



am3uuw0000026