

# **Component Procedures: Sunroof / Moonroof**

## **Table of Contents**

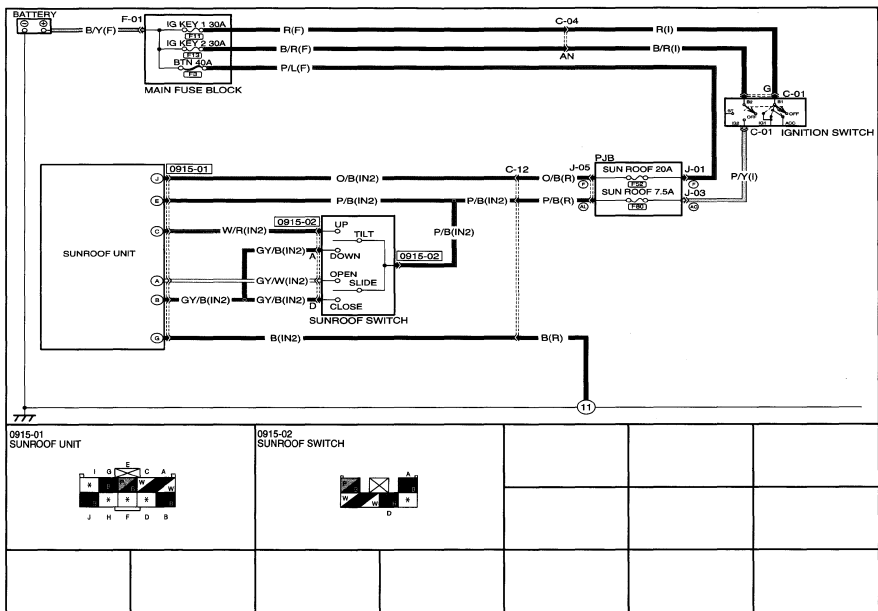
1. Electrical (OE) (itype\_21)
2. Power Tops (Article 14200)
3. Components (itype\_32)
4. Overhaul (itype\_402)
5. Removal and Replacement (itype\_401)

# Component Procedures: Sunroof / Moonroof

## Electrical (OE) (itype\_21)

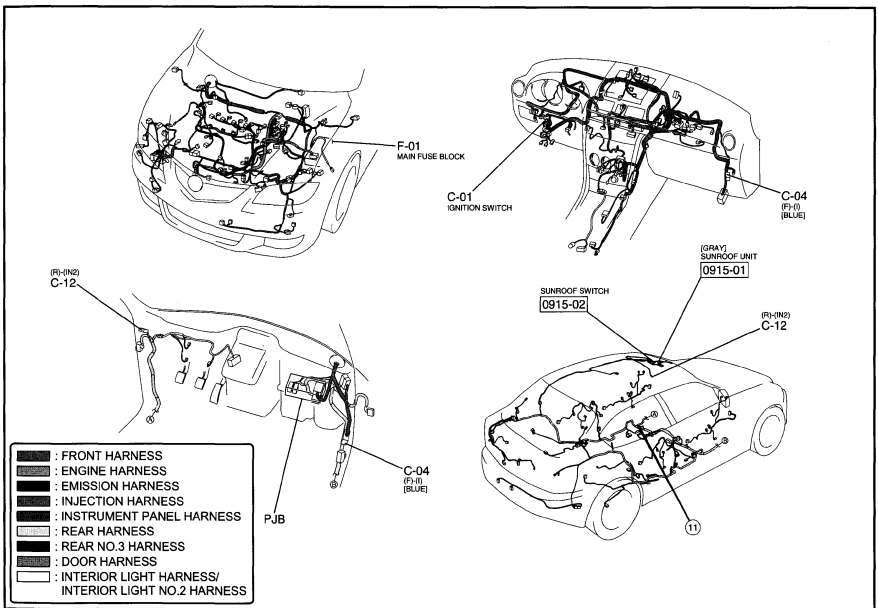
SUNROOF

0915



SUNROOF

0915

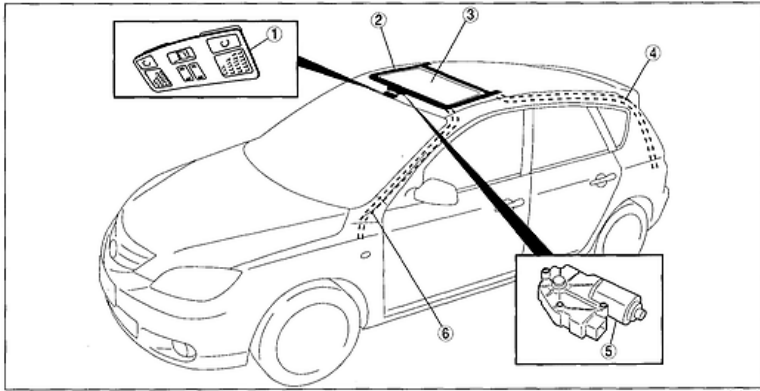


## Power Tops (Article 14200)

Power Tops

Page 1 of 1

## Components (itype\_32)

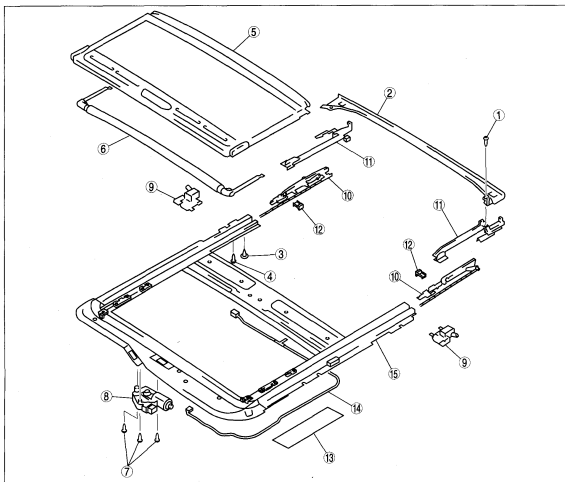


c3u091w101

1	Sunroof switch
2	Sunroof unit
3	Glass panel

4	Rear drain hose
5	Sunroof motor
6	Front drain hose

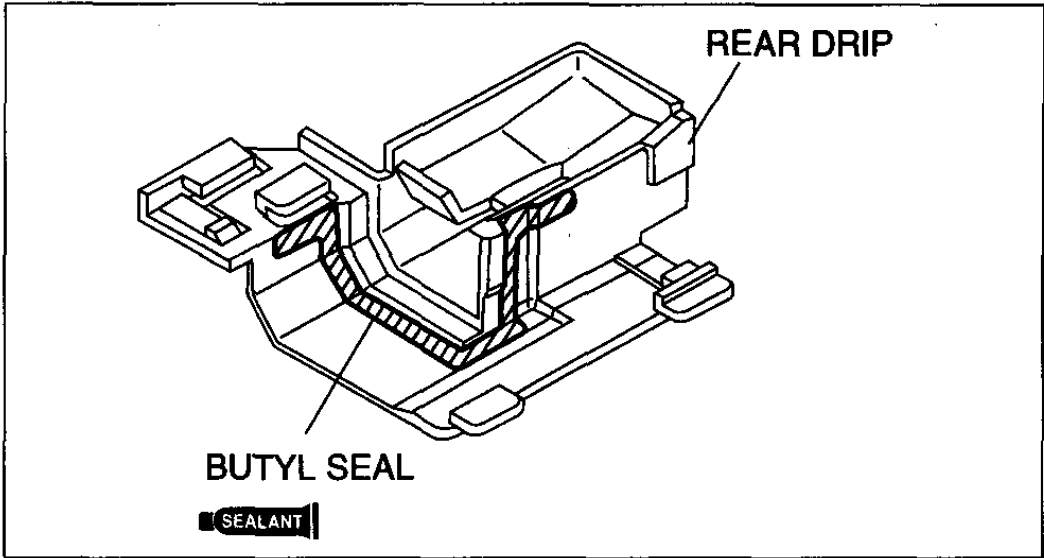
## Overhaul (itype\_402)



am3uaw000003

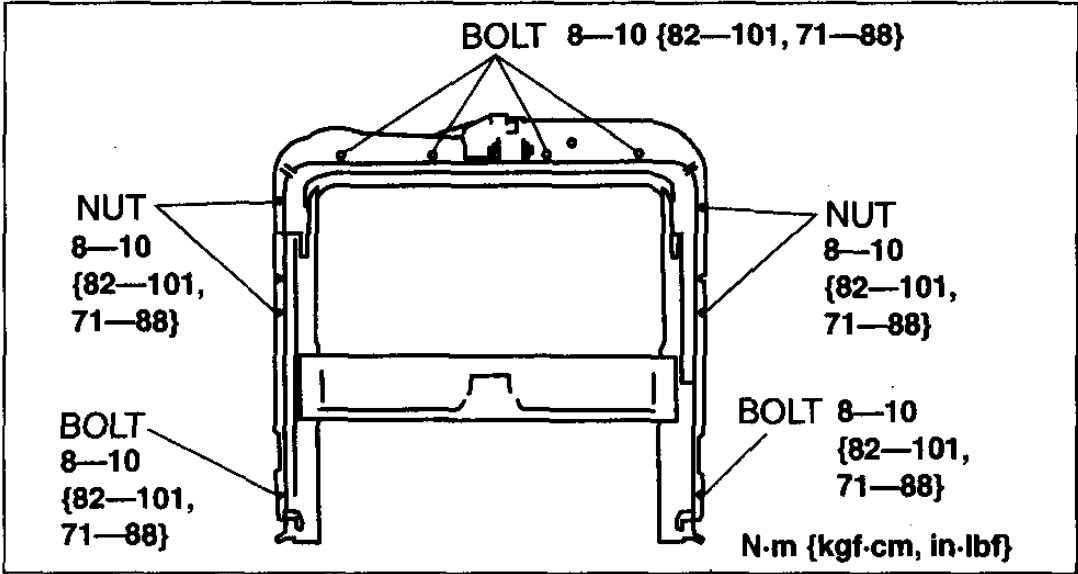
1	Screw A
2	Drip rail
3	Sunshade stopper
4	Screw B
5	Sunshade
6	Deflector
7	Screw C
8	Sunroof motor

9	Rear drip
10	Guide
11	Decoration link
12	Front drip
13	Tape protector
14	Short cord
15	Frame



am3uuw0000083

Removal and Replacement (itype\_401)



B3E0915W113