

Component Procedures: Steering Column

Table of Contents

1. Parts and Labor (itype_189)
2. Steering Wheel and Column Removal/Installation (Article 1360913)
3. All Technical Service Bulletins (itype_100)
4. Customer Interest Bulletins (itype_109)
5. New / Updated Parts (itype_117)

Component Procedures: Steering Column

Parts and Labor (itype_189)

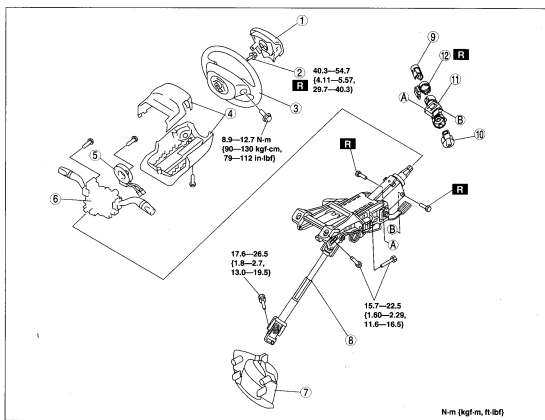
Parts

Qualifier	Part #	Name	Price	Note
Steering Column > Manual Tra?	BAH732AM0A	2 - Steering Column	1277.33	
Steering Column > Manual Tra?	BA6R32AM0A	2 - Steering Column	1244.88	
Steering Column > Auto Trans?	BAH832AM0A	2 - Steering Column	1595.30	
Steering Column > Auto Trans?	BAH832AM0B	2 - Steering Column	1151.53	

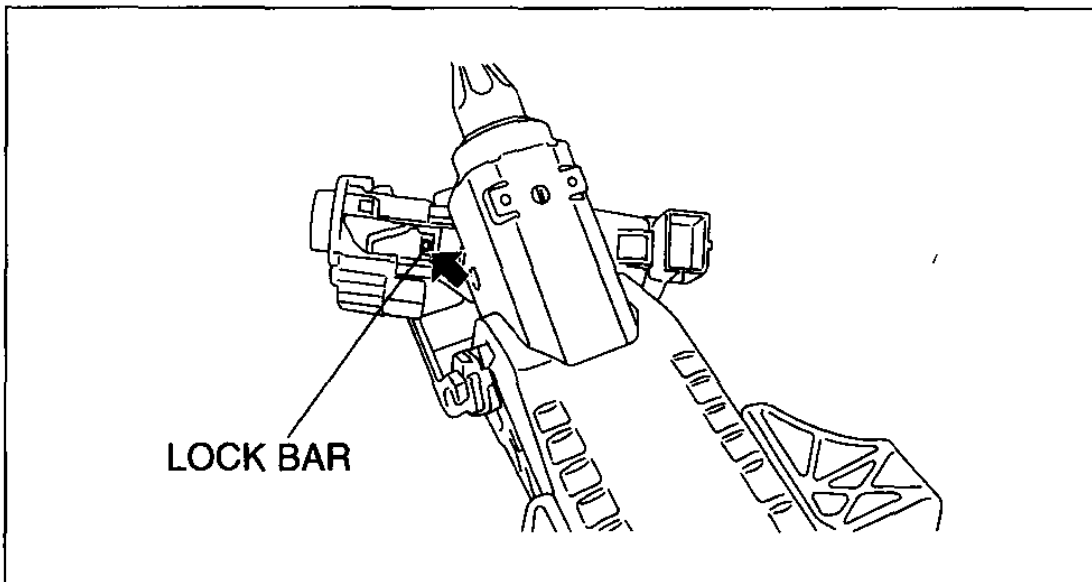
Labor

Operation	Qualifier Path	Skill	Std Hrs	Wty Hrs
Replace	Steering Column, R&R	B	1.1	0.0

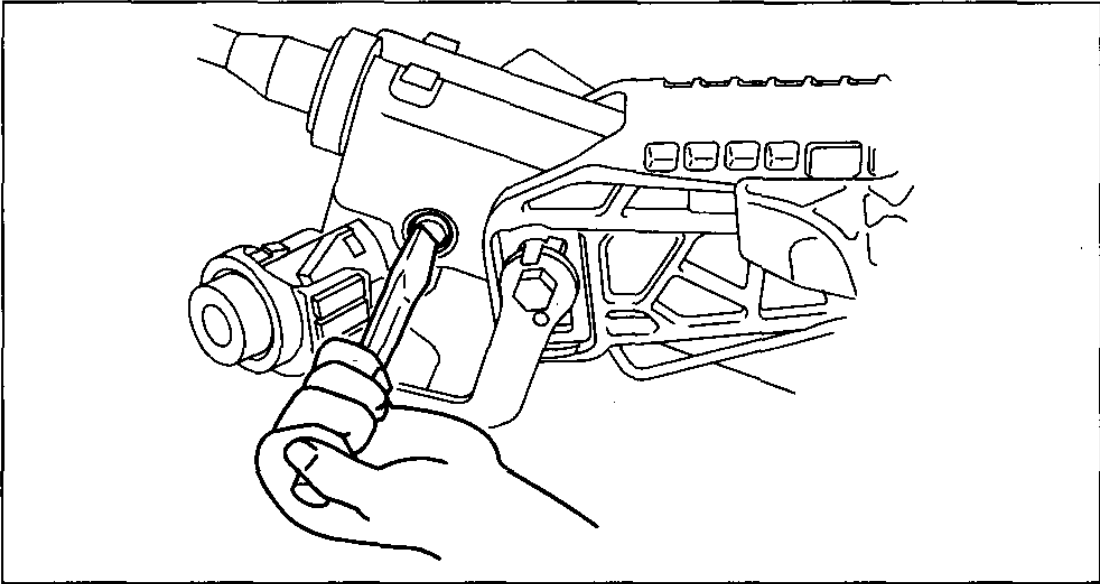
Steering Wheel and Column Removal/Installation (Article 1360913)



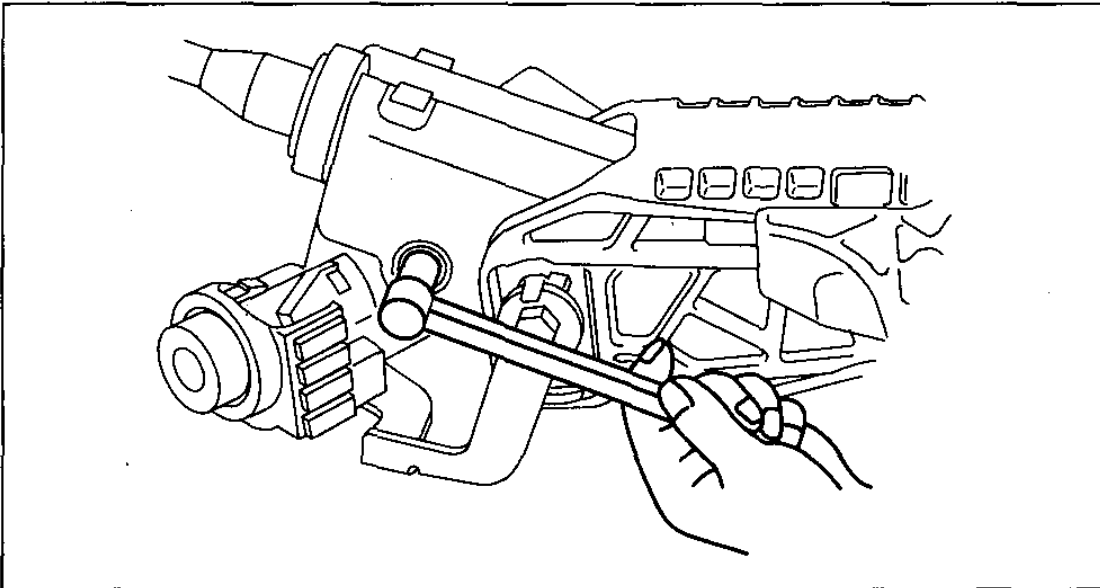
1 Air bag module (See DRIVER-SIDE AIR BAG MODULE REMOVAL/INSTALLATION.)	7 Dust cover
2 Lockbolt	8 Steering shaft (See Steering Shaft Installation Note.)
3 Steering wheel (See Steering Wheel Removal Note.) (See Steering Wheel Installation Note.)	9 Outer cylinder (See Outer Cylinder Removal Note.)
4 Column cover (See COLUMN COVER REMOVAL/INSTALLATION.)	10 Ignition switch (See IGNITION SWITCH REMOVAL/INSTALLATION.)
5 Clock spring (containing steering angle sensor) (See CLOCK SPRING REMOVAL/INSTALLATION.)	11 Steering lock component (See Steering Lock Component Removal Note.) (See Steering Lock component Installation Note.)
6 Combination switch (See COMBINATION SWITCH REMOVAL/INSTALLATION.)	12 Coil antenna (See COIL ANTENNA REMOVAL/INSTALLATION.)



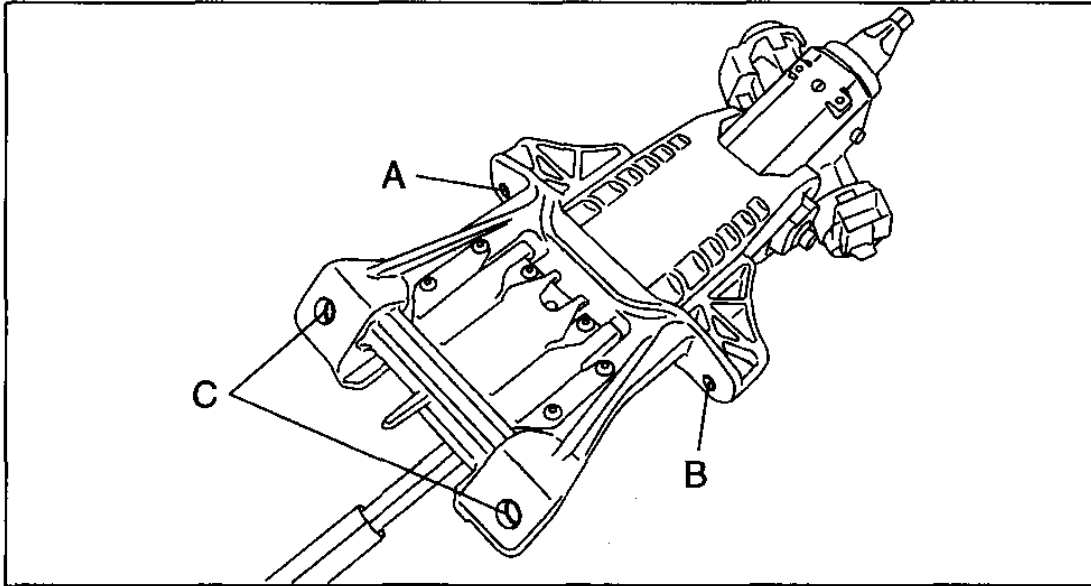
am3uuw000006



am3uuw0000041



am3uuw0000006



am3uuw0000006

All Technical Service Bulletins (itype_100)

Tsbs
- Steering - In/Out Steering Wheel Play (0600310, 2010/08/13)

Customer Interest Bulletins (itype_109)

Tsbs
- Steering - In/Out Steering Wheel Play (0600310, 2010/08/13)

New / Updated Parts (itype_117)

Tsbs
- Steering - In/Out Steering Wheel Play (0600310, 2010/08/13)