

Component Procedures: Power Steering Pump

Table of Contents

1. Parts and Labor (itype_189)
2. Power Steering Oil Pump Disassembly/Assembly [L3 With TC] (Article 1409561)
3. Electric Power Steering Oil Pump Removal/Installation [LF, L3] (Article 1409565)
4. Power Steering Oil Pump Removal/Installation [L3 With TC] (Article 1409566)
5. All Technical Service Bulletins (itype_100)
6. Customer Interest Bulletins (itype_109)
7. Repair Tips (itype_110)
8. Difficult steering (itype_130)
9. Safety (itype_107)

Component Procedures: Power Steering Pump

Parts and Labor (itype_189)

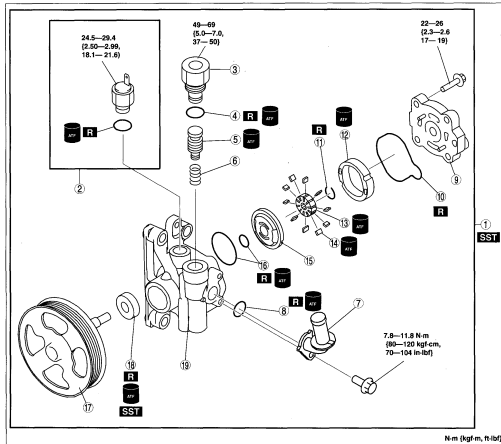
Parts

| Qualifier | Part # | Name | Price | Note |
|-----------|------------|----------|---------|------|
| P/S Pump | BR5V32600F | P/s Pump | 1277.33 | |

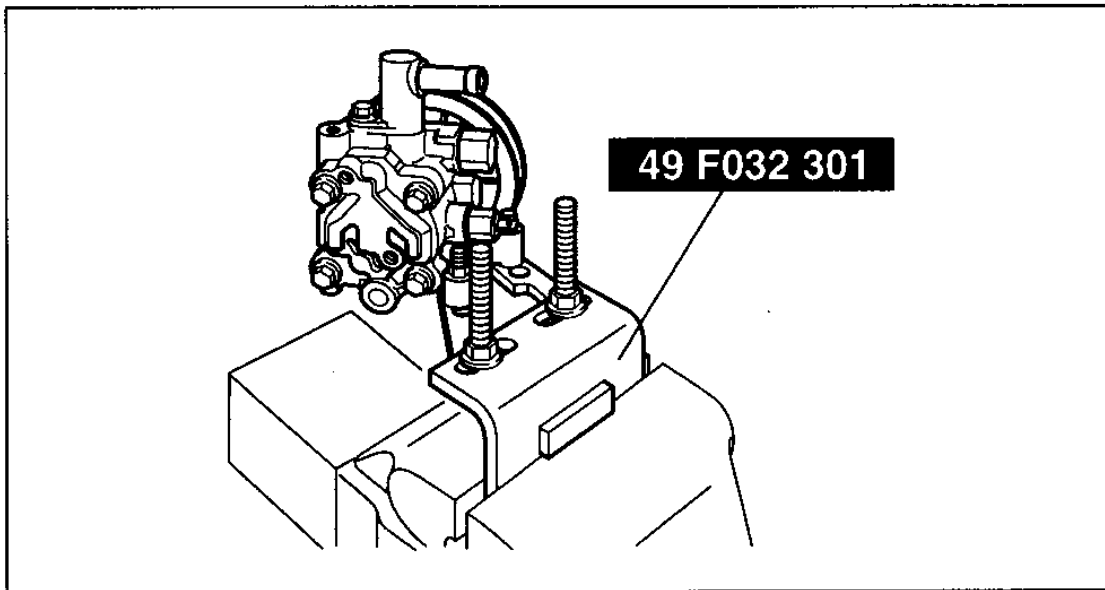
Labor

| Operation | Qualifier Path | Skill | Std Hrs | Wty Hrs |
|------------------|--------------------|-------|---------|---------|
| Replace | P/s Pump, R&R | B | 1.9 | 1.5 |
| Overhaul/Rebuild | P/s Pump, Overhaul | B | 2.5 | 0.0 |

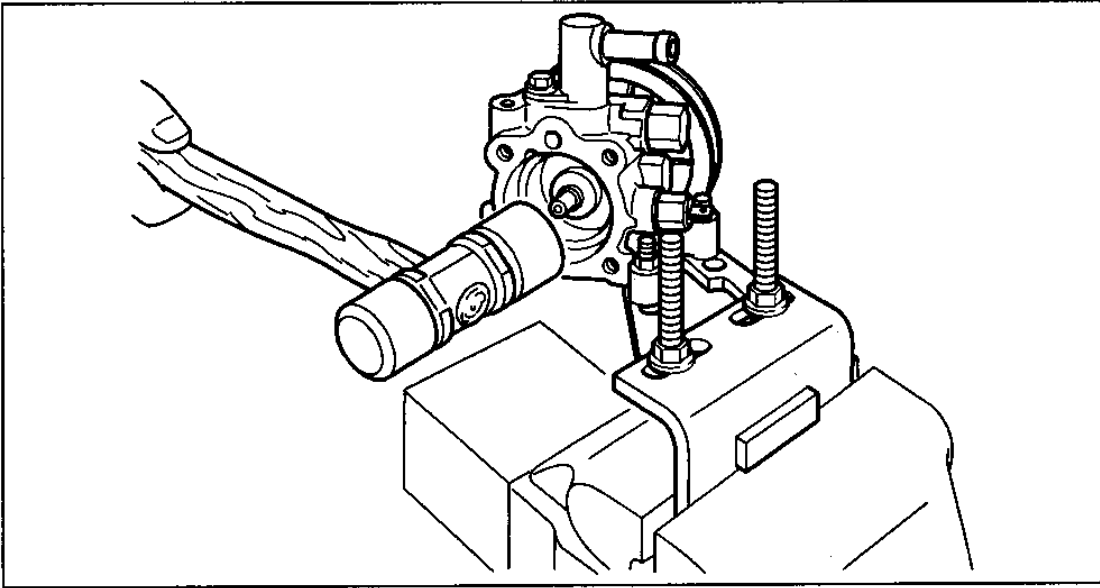
Power Steering Oil Pump Disassembly/Assembly [L3 With TC] (Article 1409561)



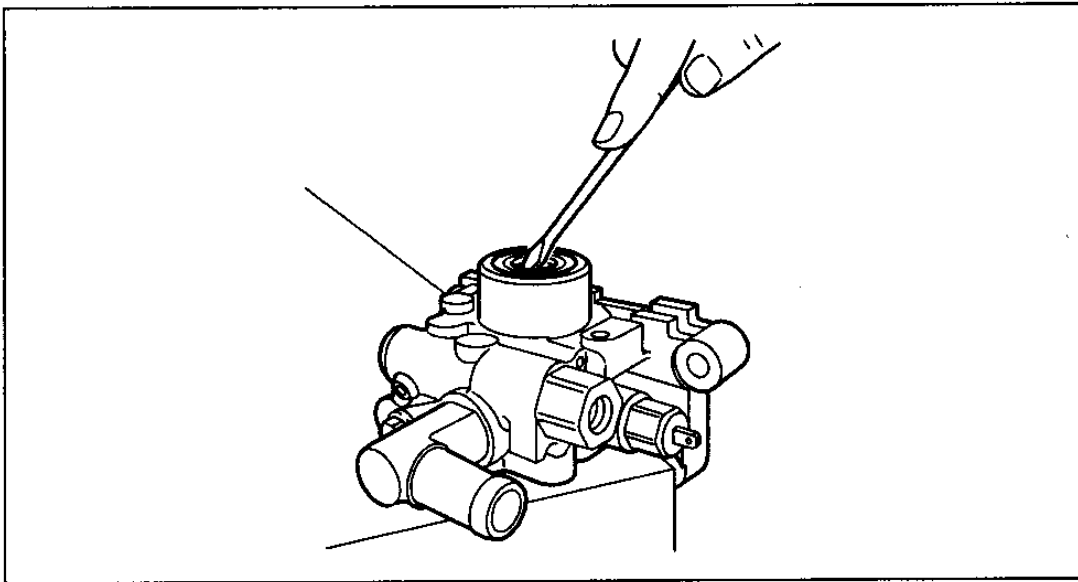
| | |
|---|--|
| 1 Power steering oil pump component (See Power Steering Oil Pump Component Disassembly Note.) | 12 Cam ring (See Cam Ring Assembly Note.) |
| 2 Pressure switch component | 13 Rotor (See Rotor Assembly Note.) |
| 3 Connector | 14 Vane |
| 4 O-rings | 15 Side plate (See Side Plate Assembly Note.) |
| 5 Control valve | 16 O-rings |
| 6 Spring | 17 Shaft component (See Shaft Assembly Disassembly Note.) |
| 7 Suction pipe | 18 Oil seal (See Oil Seal Disassembly Note.) (See Oil Seal Assembly Note.) |
| 8 O-ring | 19 Front pump body |
| 9 Rear pump body (See Rear Pump Body Assembly Note.) | |
| 10 O-ring | |
| 11 Clip | |



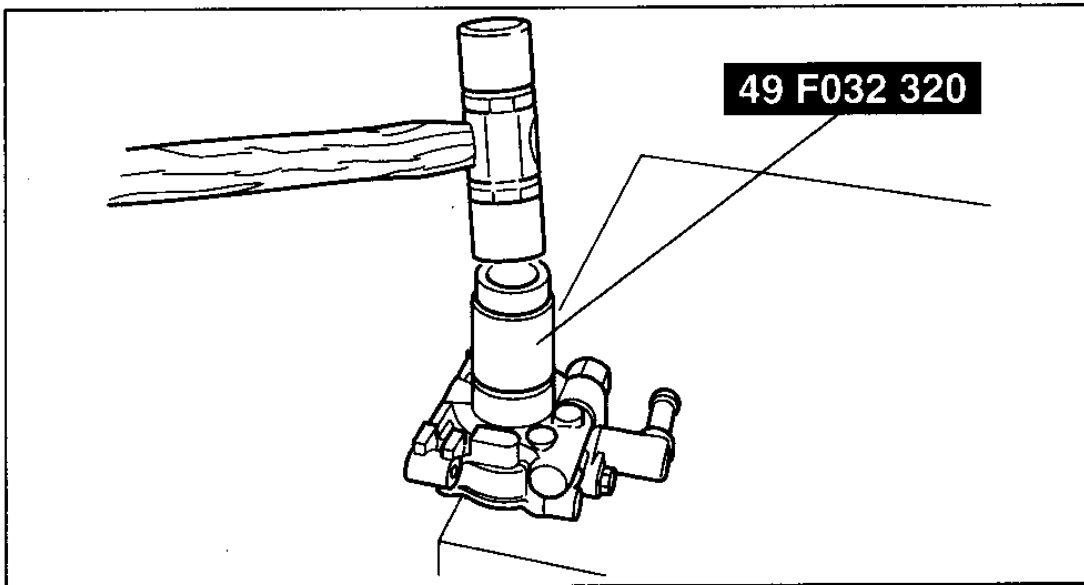
am8rrw00000898



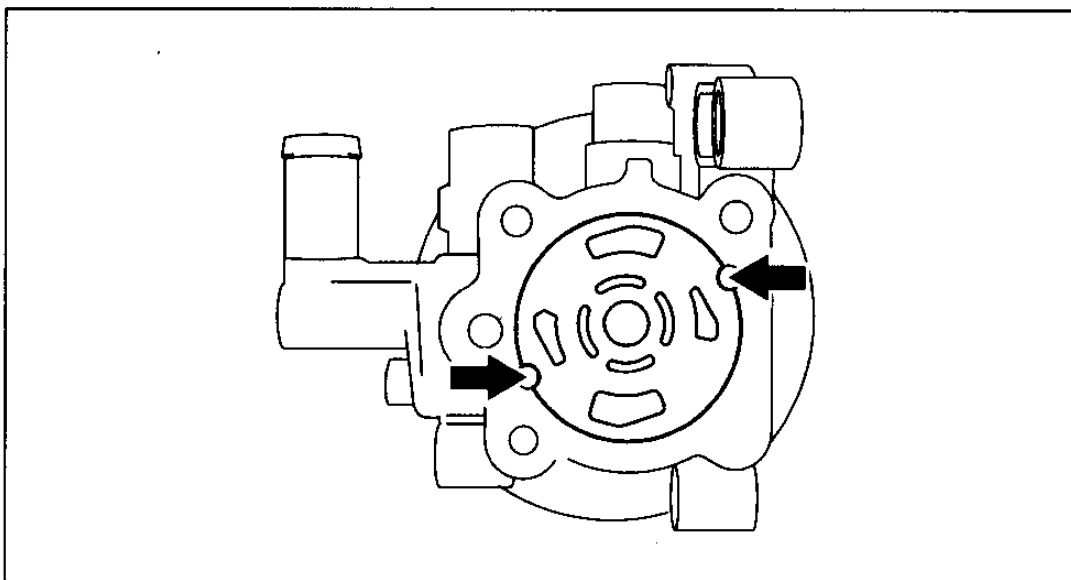
am8rrw00000899



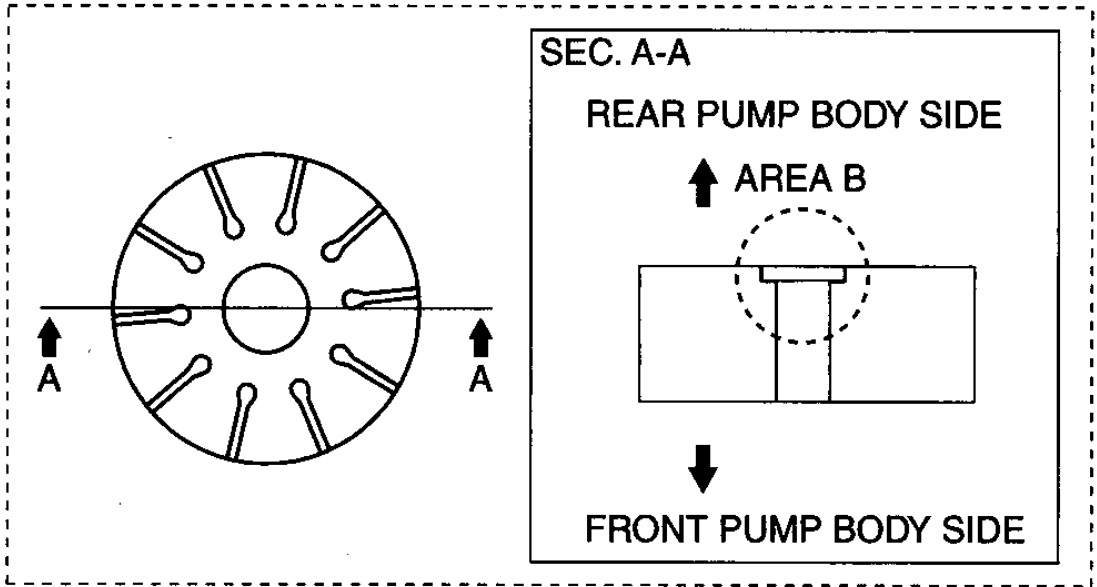
am8rrw00000900



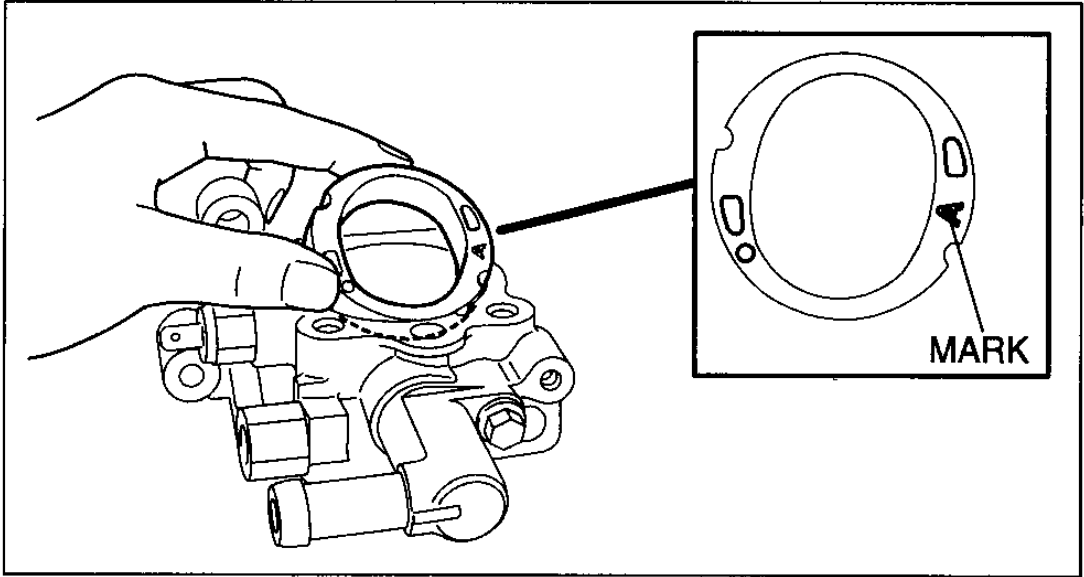
am3uuw0000012



am8rrw00000902

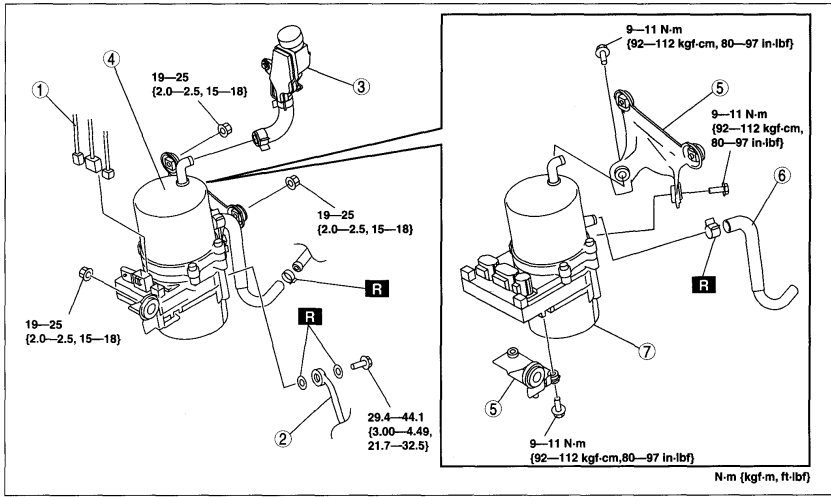


am8rrw00000903



am8rrw00000904

Electric Power Steering Oil Pump Removal/Installation [LF, L3] (Article 1409565)

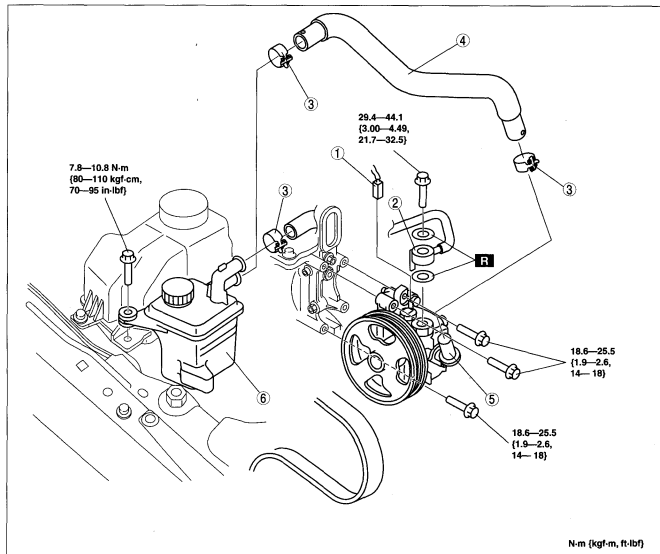


dpe614zw1014

| | |
|---|--|
| 1 | Connector |
| 2 | Pressure pipe |
| 3 | Power steering fluid reserve tank |
| 4 | Electric power steering oil pump and bracket component |

| | |
|---|----------------------------------|
| 5 | Bracket |
| 6 | Return hose |
| 7 | Electric power steering oil pump |

Power Steering Oil Pump Removal/Installation [L3 With TC] (Article 1409566)



N-m (kgf-m, ft-lbf)

am33aw000099

| | |
|---|---------------------------|
| 1 | Pressure switch connector |
| 2 | Pressure pipe |
| 3 | Hose band |

| | |
|---|-----------------------------|
| 4 | Suction hose |
| 5 | Power steering oil pump |
| 6 | Power steering reserve tank |

All Technical Service Bulletins (itype_100)

Tsbs

- Steering - EHPAS Technical Supplement (0600111, 2011/03/18)
- Recall - Loss Of Power Steering Assist (6010H, 2010/09/15)
- Power Steering - High Steering Effort/MIL/DTC C1099 (0600110, 2010/04/09)

Customer Interest Bulletins (itype_109)

Tsbs

- Power Steering - High Steering Effort/MIL/DTC C1099 (0600110, 2010/04/09)

Repair Tips (itype_110)

Tsbs

- Steering - EHPAS Technical Supplement (0600111, 2011/03/18)

Difficult steering (itype_130)

Tsbs

- Power Steering - High Steering Effort/MIL/DTC C1099 (0600110, 2010/04/09)

Safety (itype_107)

Tsbs

- Recall - Loss Of Power Steering Assist (6010H, 2010/09/15)