

Component Procedures: Pressure Plate

Table of Contents

1. Parts and Labor (itype_189)
2. Clutch Unit Removal/Installation (Article 1456722)
3. Mechanical (including Torque) (itype_28)
4. Clutch Cover Inspection (Article 1456669)

Component Procedures: Pressure Plate

Parts and Labor (itype_189)

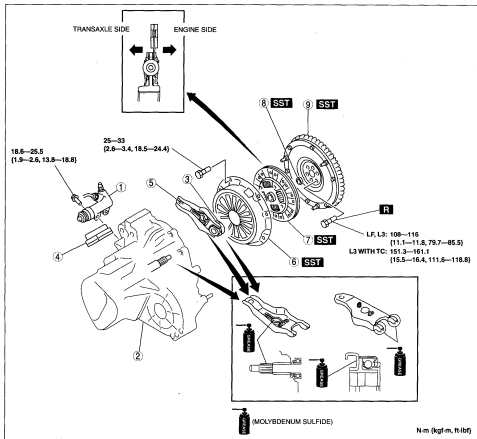
Parts

| Qualifier | Part # | Name | Price | Note |
|----------------|------------|----------------|--------|------|
| Pressure Plate | L30116410B | Pressure Plate | 120.08 | |

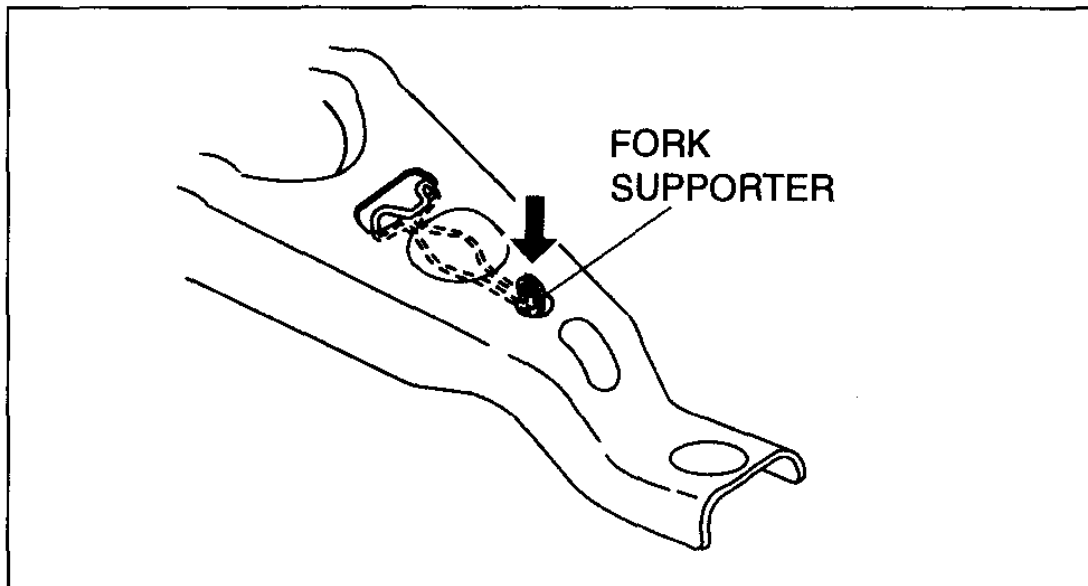
Labor

| Operation | Qualifier Path | Skill | Std Hrs | Wty Hrs |
|-----------|--|-------|---------|---------|
| Replace | Clutch, R&R | B | 4.4 | 3.3 |
| Replace | Clutch, R&R > NOTE > To R&R Flywheel, Add | B | 0.2 | 0.0 |
| Replace | Clutch, R&R > NOTE > To R&R Pilot Bearing, Add | B | 0.2 | 0.0 |

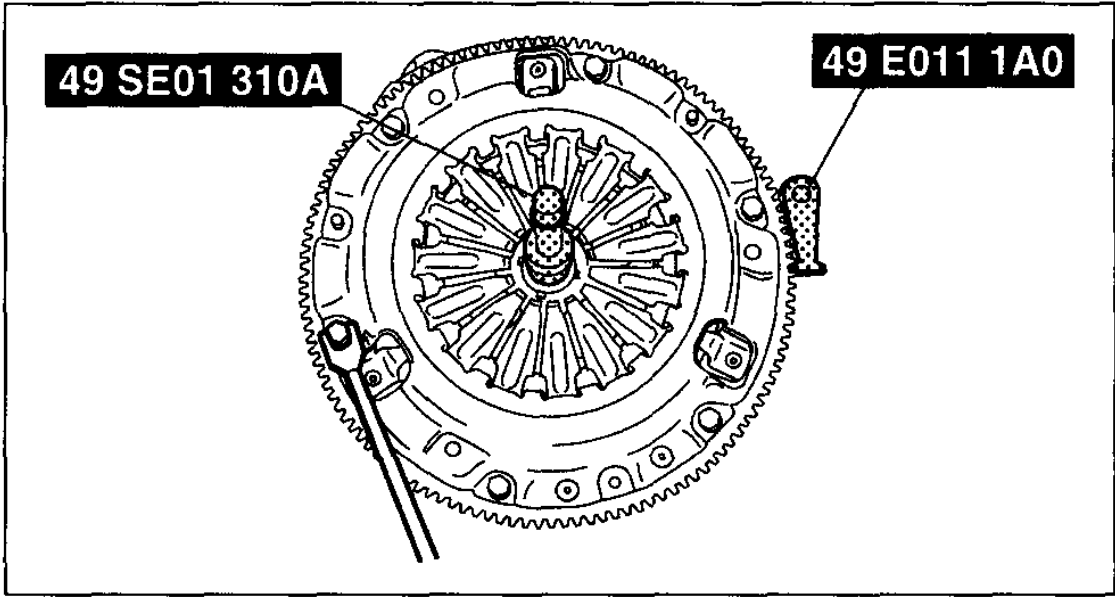
Clutch Unit Removal/Installation (Article 1456722)



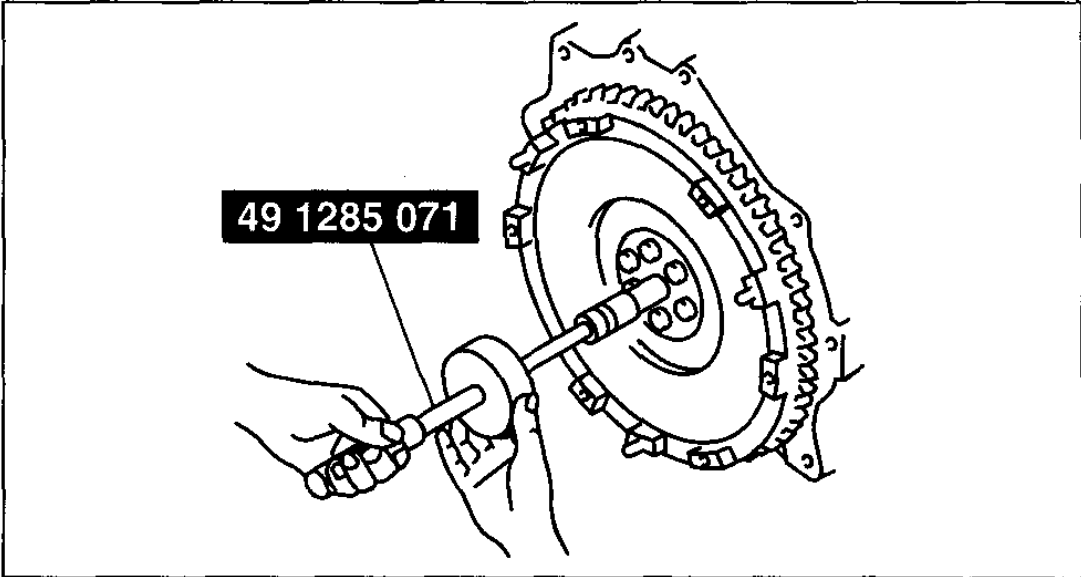
- | | |
|--|--|
| 1 Clutch release cylinder (See CLUTCH RELEASE CYLINDER REMOVAL/INSTALLATION.) | 6 Clutch cover (See Clutch Cover and Disc Removal Note.) (See Clutch Cover Installation Note.) |
| 2 Manual transaxle (See MANUAL TRANSAXLE REMOVAL/INSTALLATION (33M-R).) (See MANUAL TRANSAXLE REMOVAL/INSTALLATION (A2M-R).) | 7 Clutch disc (See Clutch Cover and Disc Removal Note.) (See Clutch Disc Installation Note.) |
| 3 Clutch release collar (See CLUTCH RELEASE COLLAR INSPECTION.) | 8 Pilot bearing (See Pilot Bearing Removal Note.) (See Pilot Bearing Installation Note.) |
| 4 Boot | 9 Flywheel (L,F, L3) or dual-mass flywheel (L3 WITH TC) (See Flywheel or Dual-mass Flywheel Removal Note.) (See Flywheel or Dual-mass Flywheel Installation Note.) |
| 5 Clutch release fork (See Clutch Release Fork Removal Note.) | |



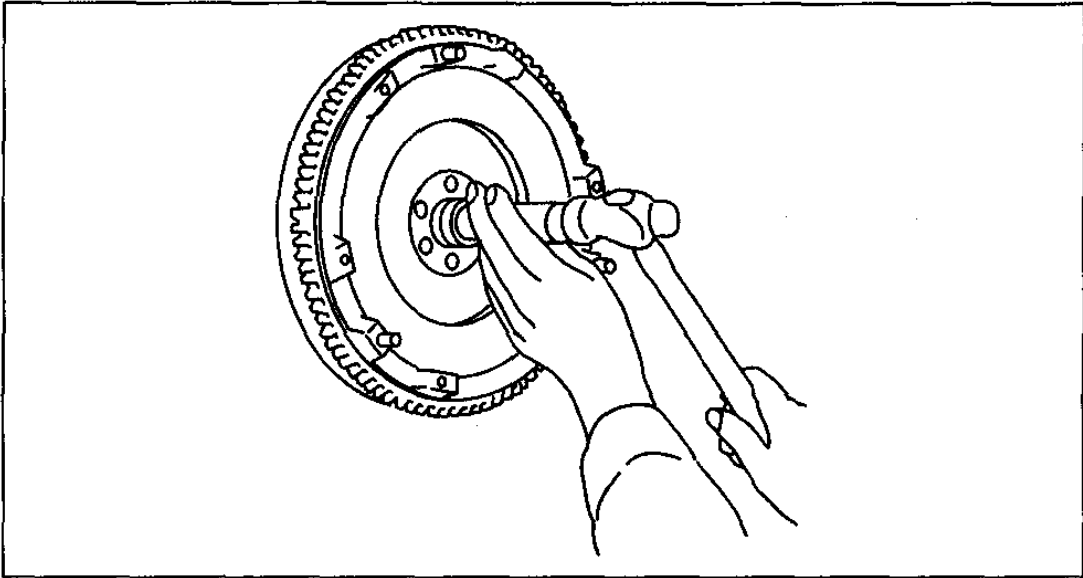
am3uuw0000019



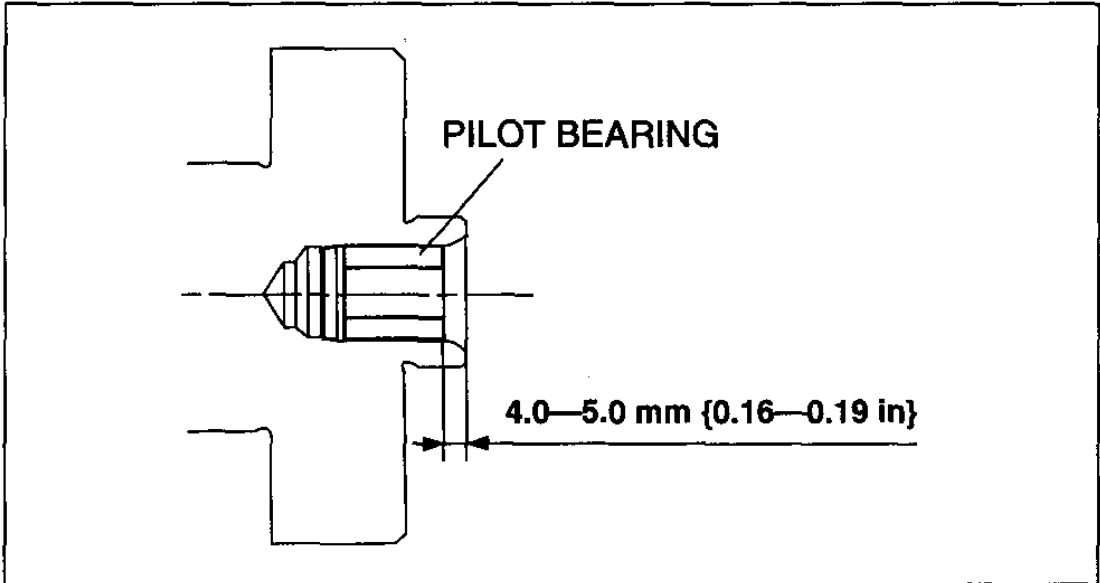
am3uuw000019



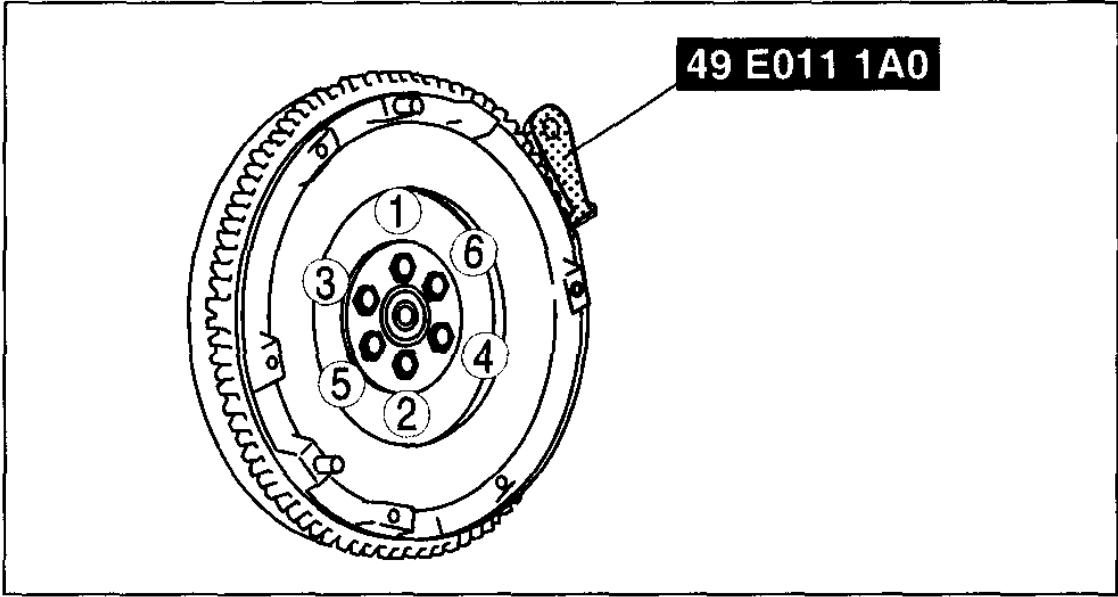
am3uuw000020



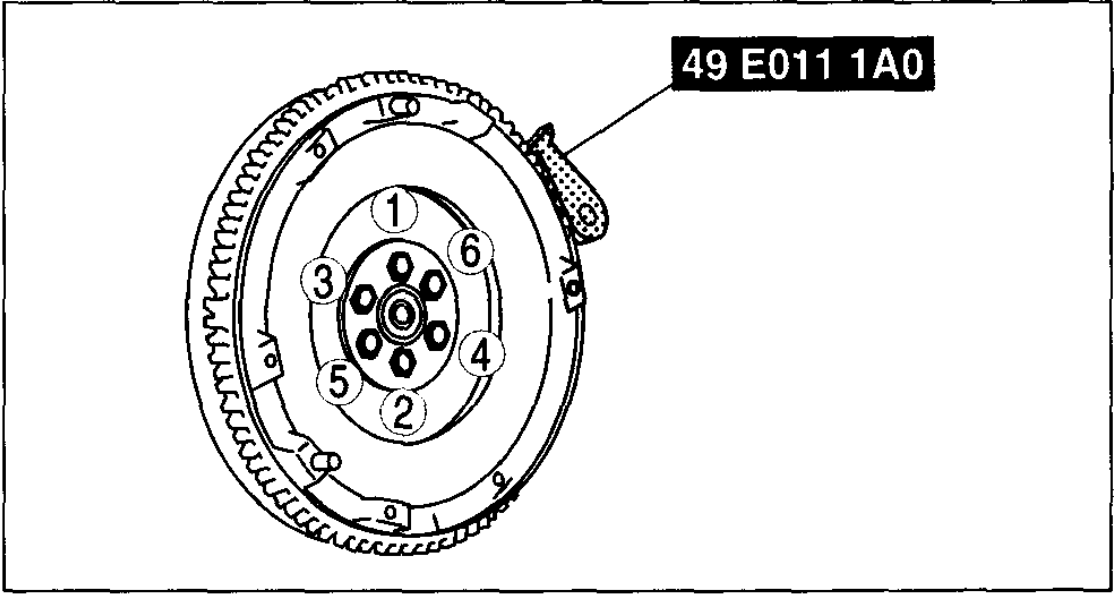
am3uuw0000121



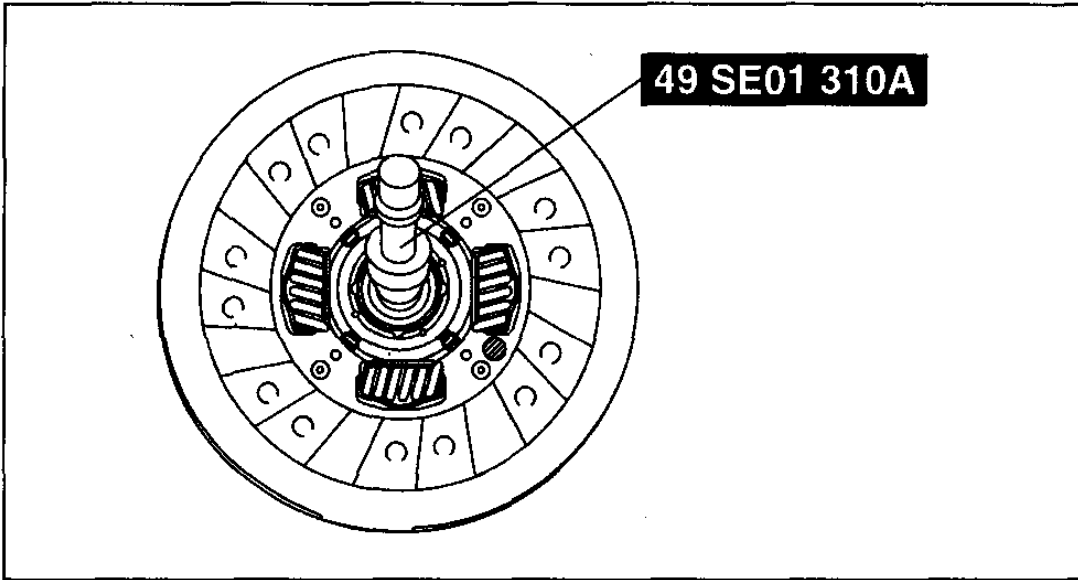
am3uuw0000069



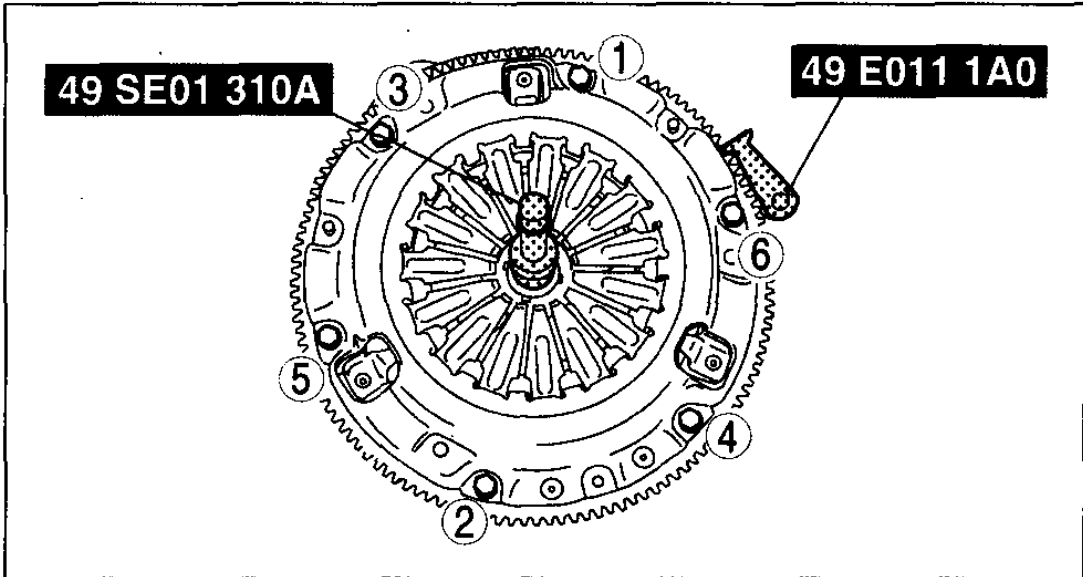
am3uuw0000020



am3uuw0000020

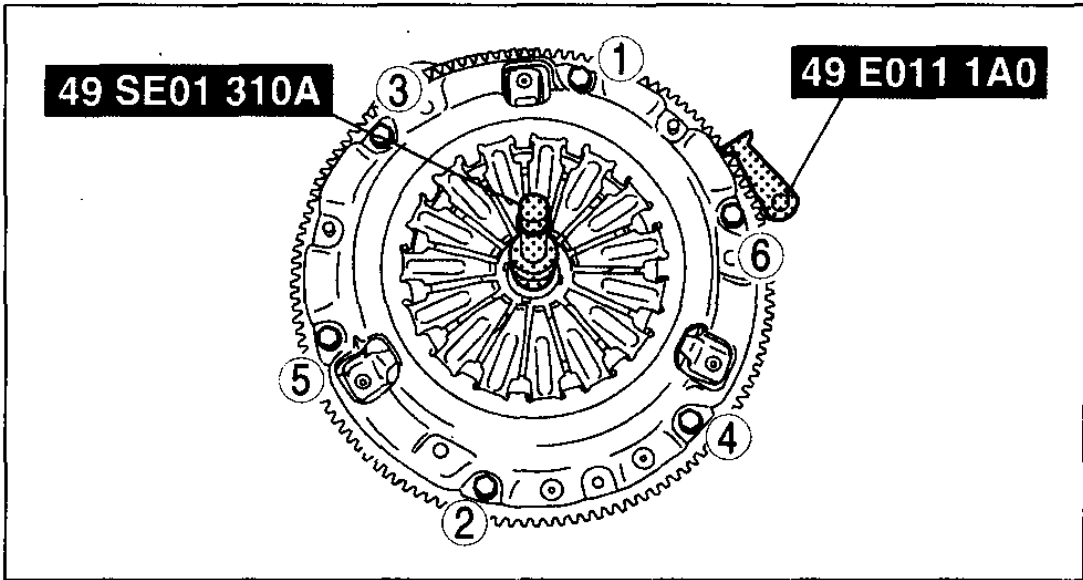


am3uuw000020



am3uuw000020

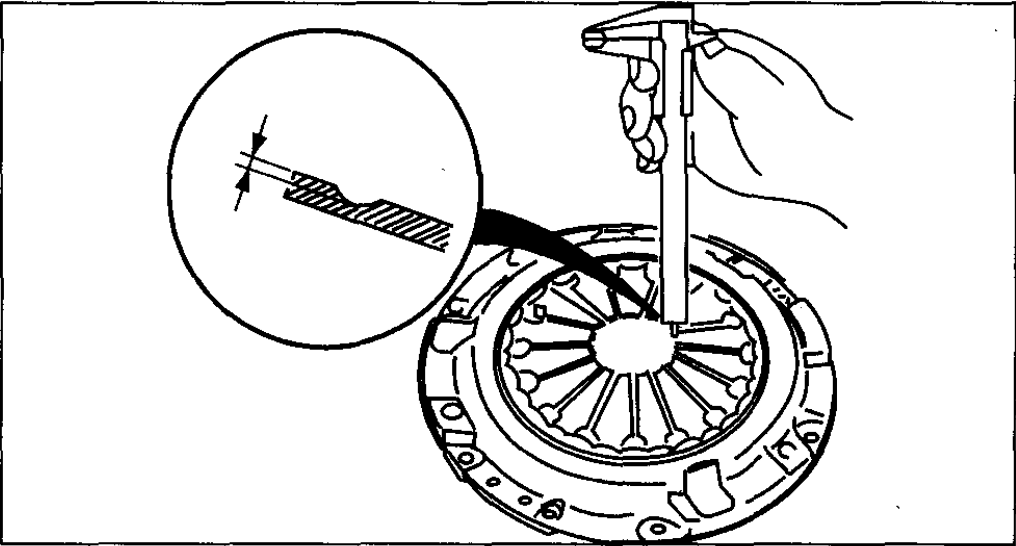
Mechanical (including Torque) (itype_28)



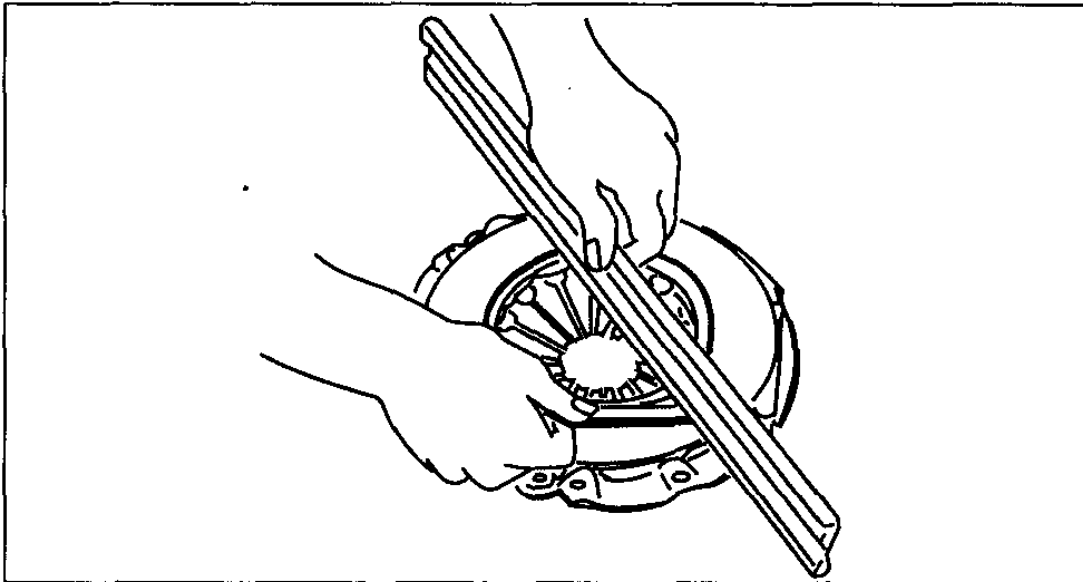
am3uuw000020

Clutch Cover Inspection (Article 1456669)

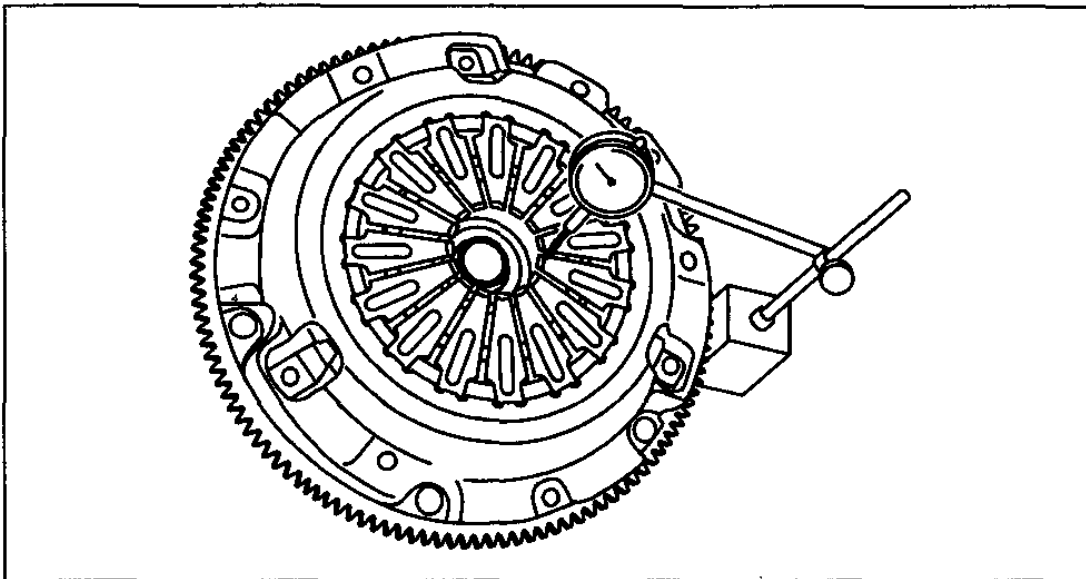
id051000800800



am3uuw000019



am3uuw0000019



am3uuw0000019