

Component Procedures: Amplifier

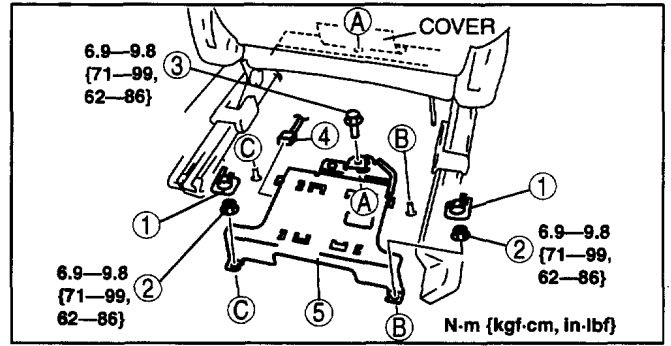
Table of Contents

1. Removal and Replacement (itype_401)

Component Procedures: Amplifier

Removal and Replacement (itype_401)

1	Nut cover
2	Nut
3	Bolt
4	Connector
5	Audio amplifier



d3j920zwb001