

# Component Procedures: Dashboard / Instrument Panel

## Table of Contents

1. Components (itype\_32)
2. Overhaul (itype\_402)
3. Center Panel Unit Removal/Installation (Article 1369907)
4. Dashboard Central Panel Removal/Installation (Article 1369884)
5. Dashboard Garnish Removal/Installation (Article 1369842)
6. Dashboard Removal/Installation (Article 1359827)
7. Decoration Panel Removal/Installation (Article 1358364)
8. Lower Panel Removal/Installation (Article 1358051)
9. Meter Hood Removal/Installation (Article 1358149)
10. Side Wall Removal/Installation (Article 1359504)
11. All Technical Service Bulletins (itype\_100)
12. Customer Interest Bulletins (itype\_109)
13. Repair Tips (itype\_110)
14. Abnormal wear/deterioration (itype\_122)

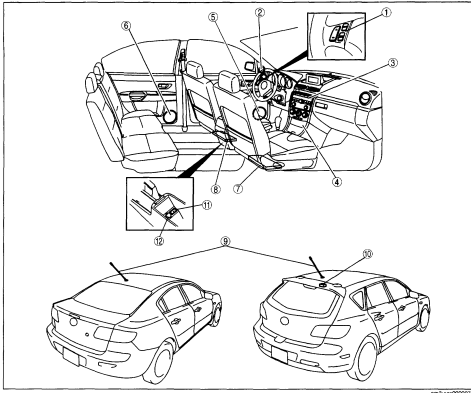
# Component Procedures: Dashboard / Instrument Panel

## Components (itype\_32)

ENTERTAINMENT LOCATION INDEX

463200080100

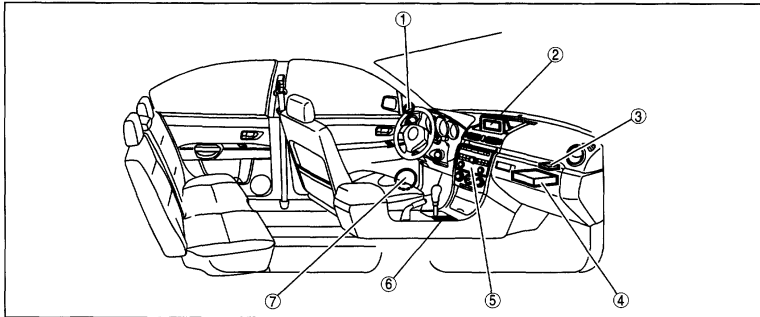
### Audio System



1	Audio control switch
2	Front tweeter
3	Center panel module
4	Cigarette lighter

5	Front door speaker
6	Rear door speaker
7	Woofer (Bose)
8	Audio amplifier (Bose)

### Car-navigation System

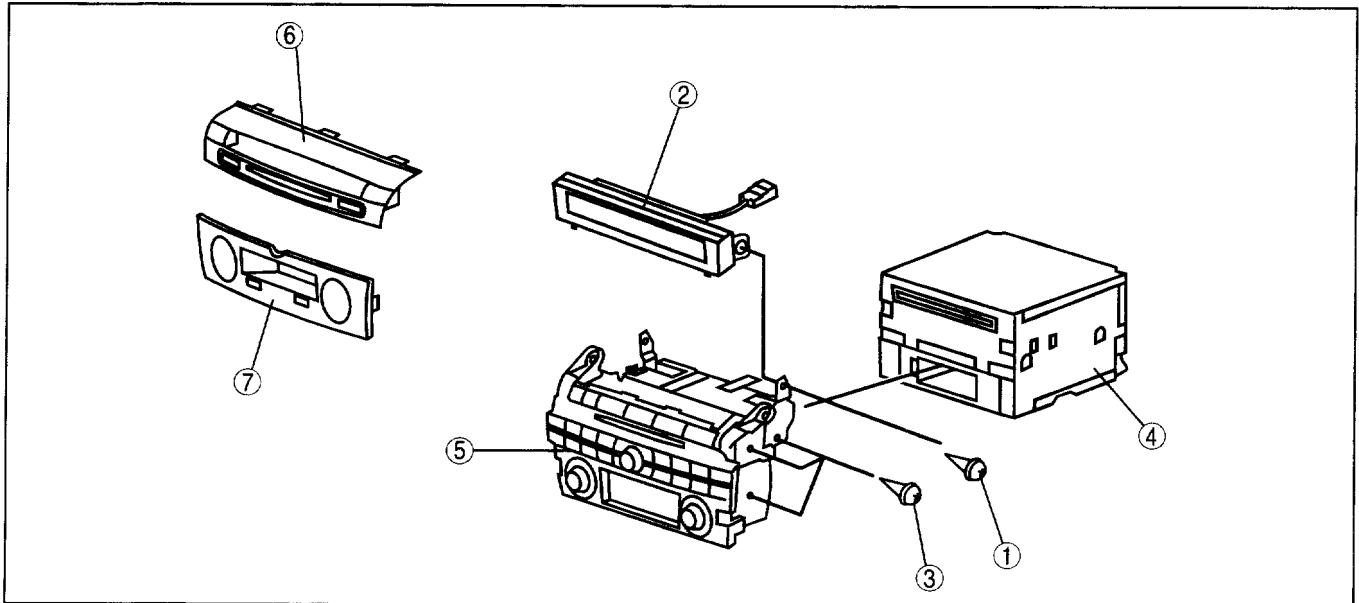


c3u0920w104

1	Front tweeter
2	LCD unit
3	GPS antenna
4	Car-navigation unit

5	Center panel module
6	Car-navigation control switch
7	Front door speaker

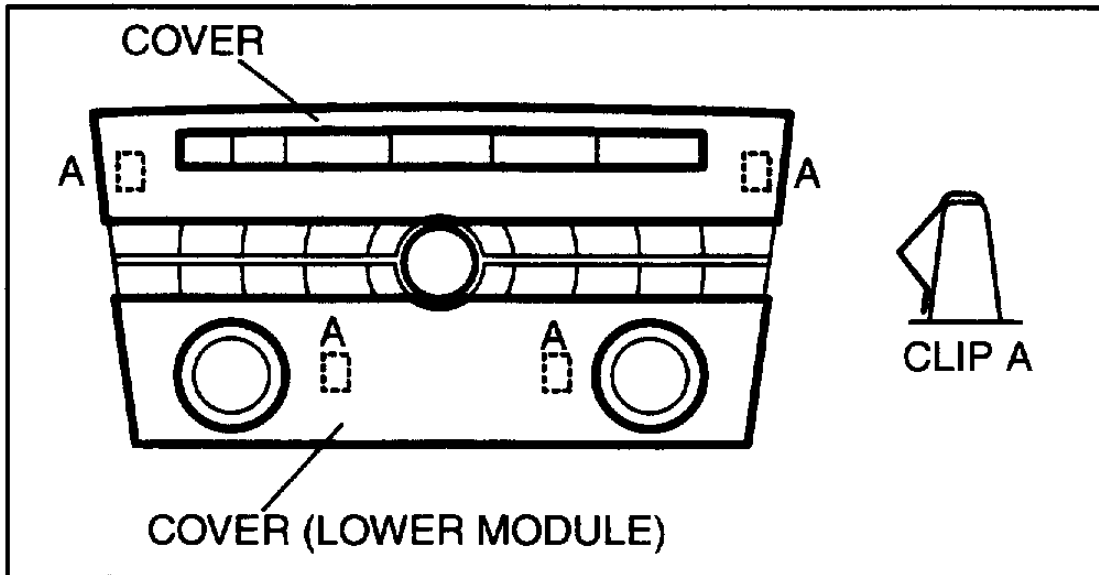
## Overhaul (itype\_402)



am3zzw0000139

1	Screw A
2	Information display
3	Screw B
4	Audio unit

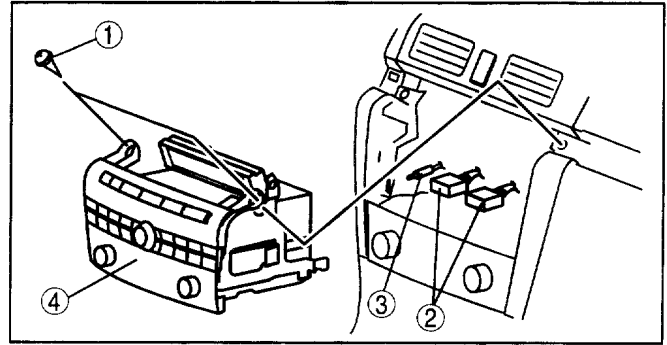
5	Center panel
6	Cover (See Cover Removal Note.)
7	Cover (lower module) (See Cover Removal Note.)



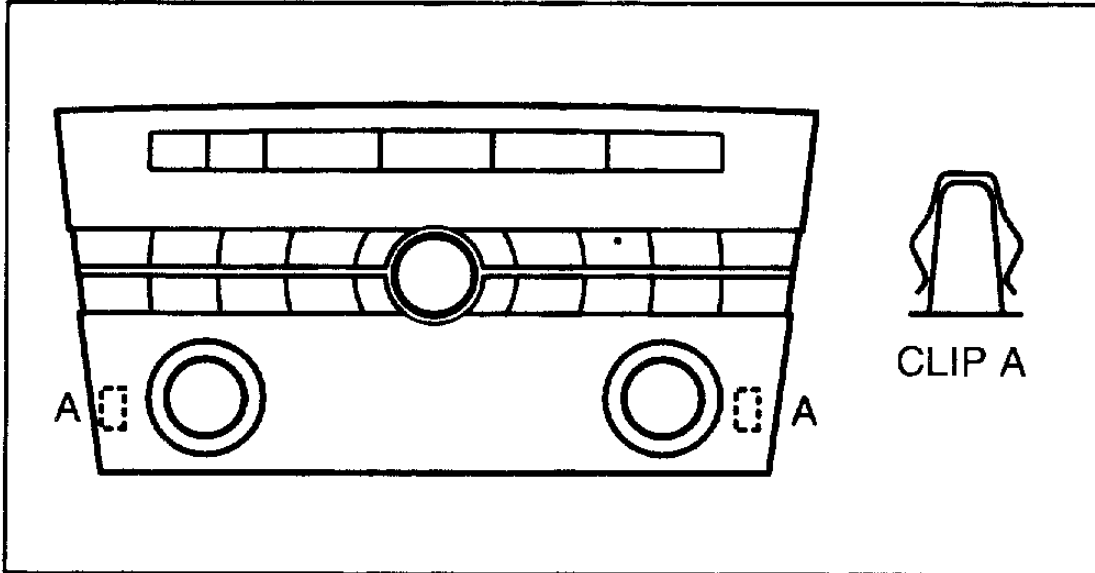
am3zzw0000139

**Center Panel Unit Removal/Installation (Article 1369907)**

1	Screw
2	Connector
3	Antenna feeder
4	Center panel unit

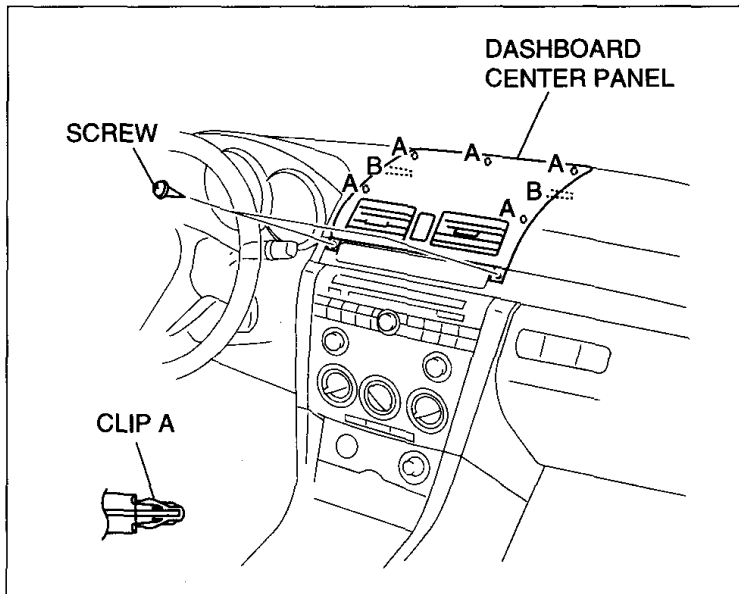


am3zzw0000138



am3zzw0000139

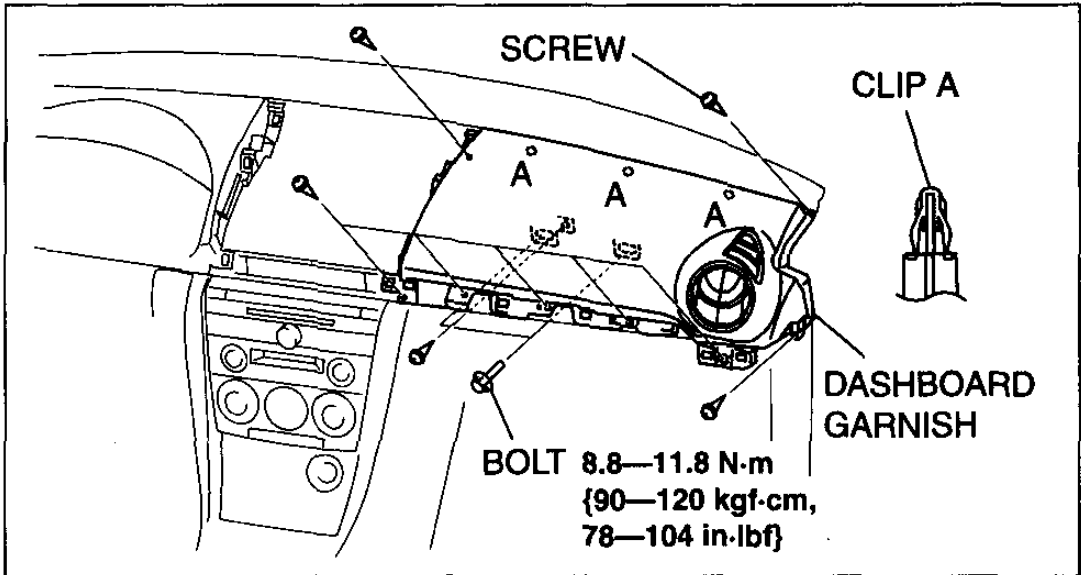
**Dashboard Central Panel Removal/Installation (Article 1369884)**



B3E0917W111

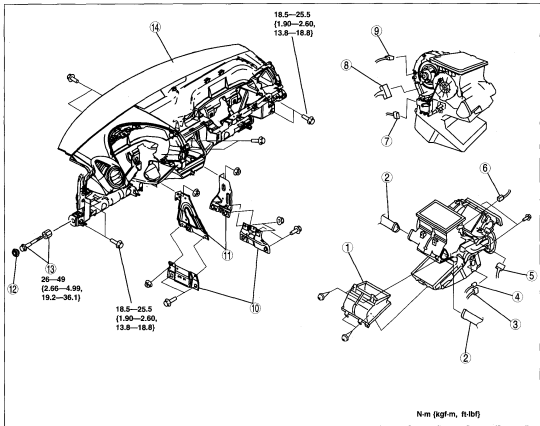
**Dashboard Garnish Removal/Installation (Article 1369842)**





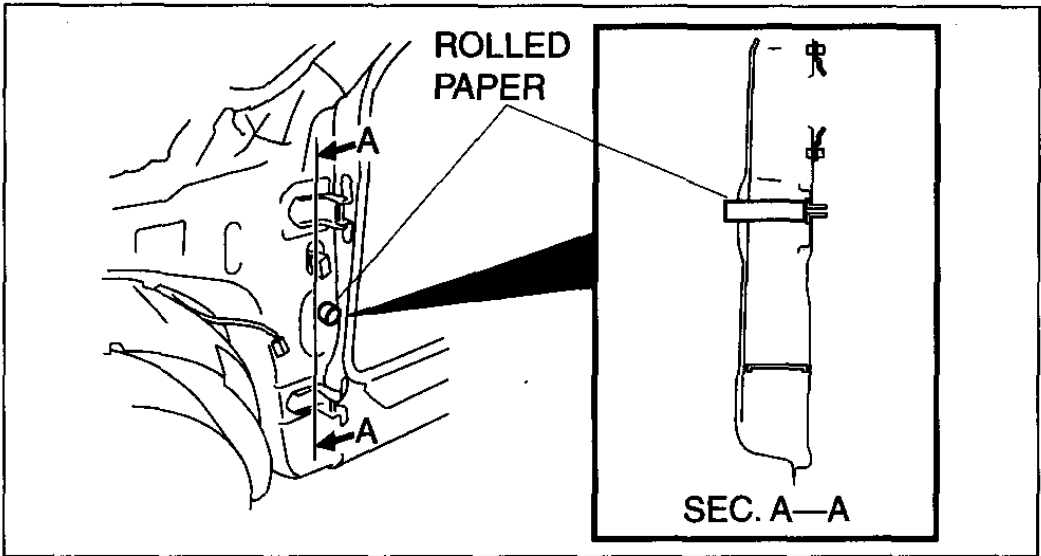
B3E0917W149

**Dashboard Removal/Installation (Article 1359827)**

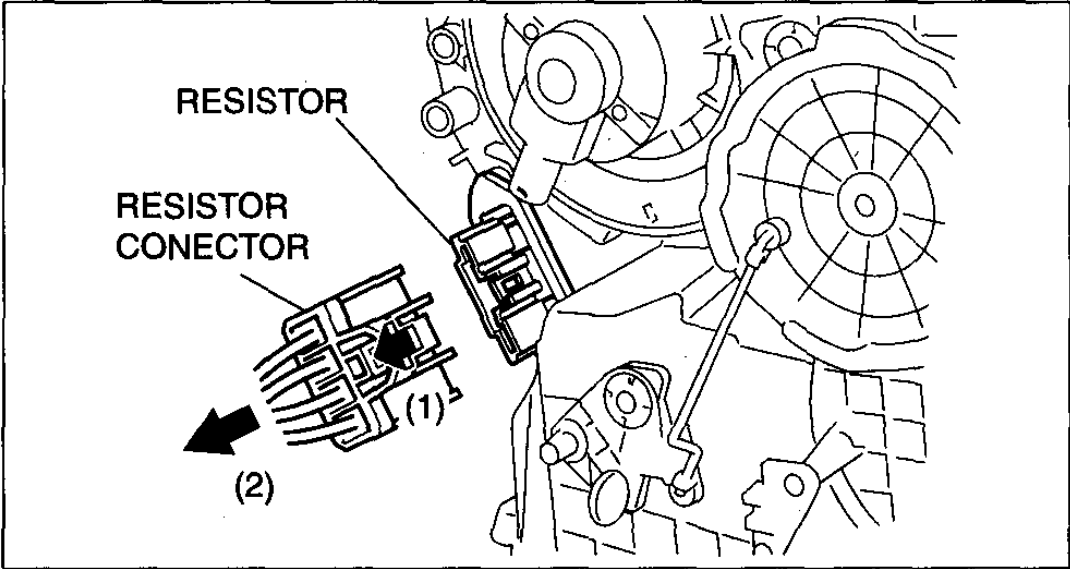


1	Heater case
2	Duct
3	Power MOS FET connector (with full-auto air conditioner system)
4	Evaporator temperature sensor connector
5	Air intake actuator connector
6	Air mix actuator connector (with full-auto air conditioner system)
7	Airflow mode actuator connector (with full-auto air conditioner system)
8	Resistor connector (with manual air conditioner system)

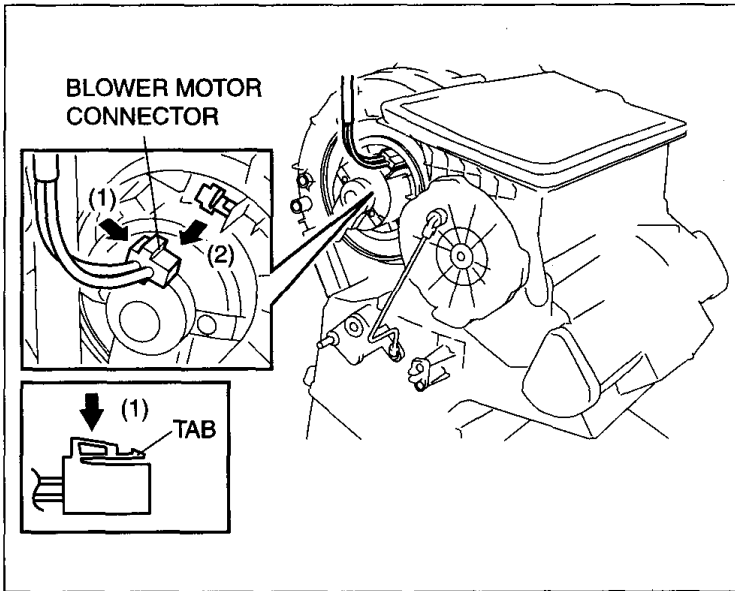
9	Blower motor connector
10	Dashboard bracket (lower)
11	Dashboard bracket (upper)
12	Cap
13	Bolt
14	Dashboard



am3uuw0000083

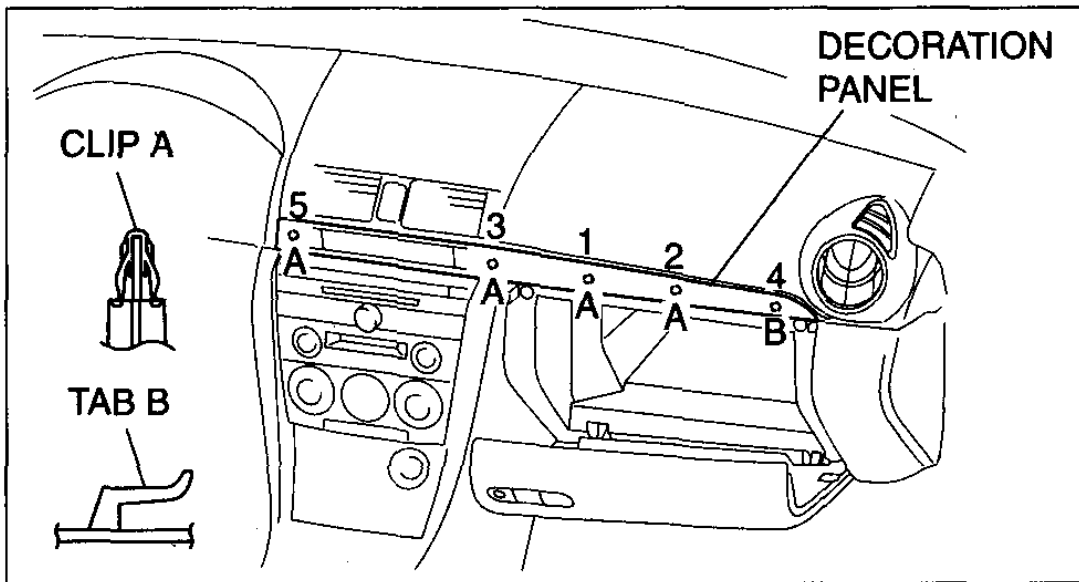


e3u917zw6101



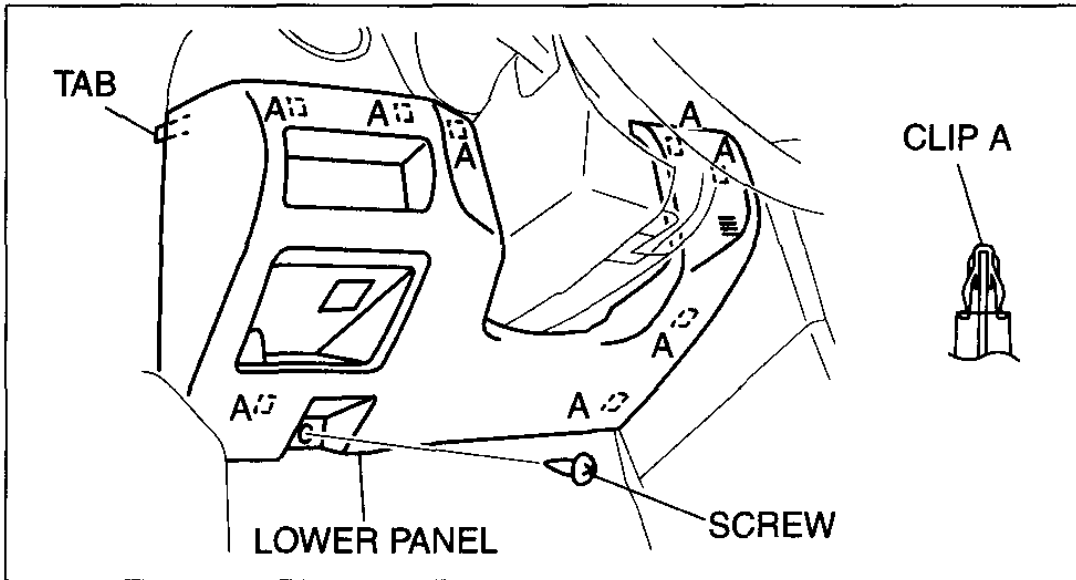
e3u917zw6100

**Decoration Panel Removal/Installation (Article 1358364)**



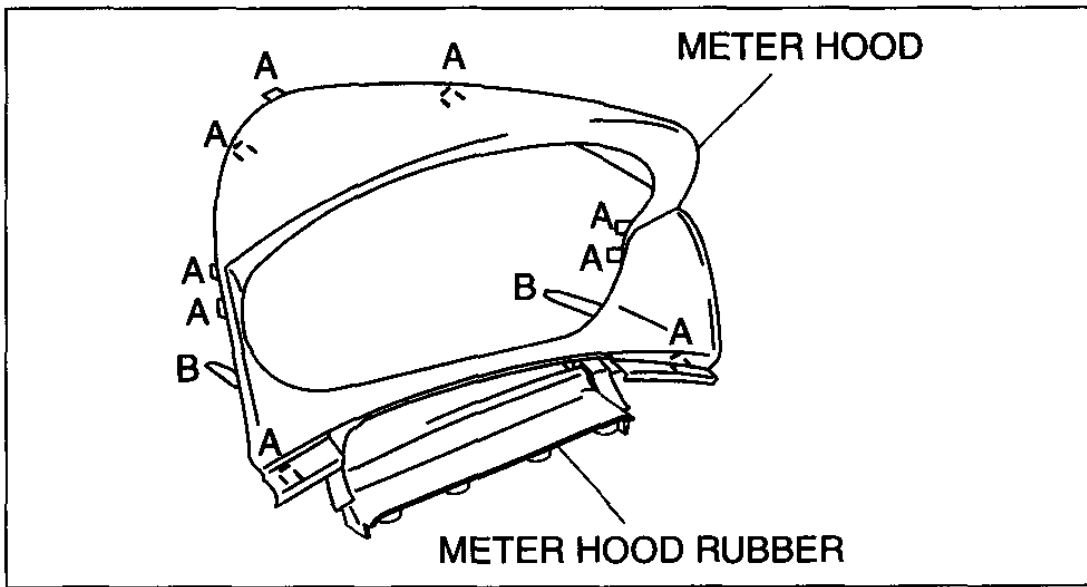
C3U0917W151

**Lower Panel Removal/Installation (Article 1358051)**



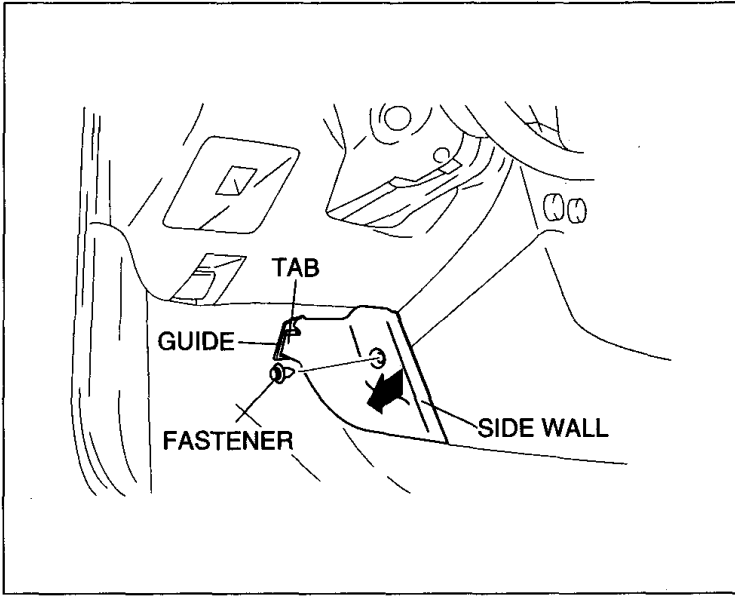
c3u0917w110

**Meter Hood Removal/Installation (Article 1358149)**

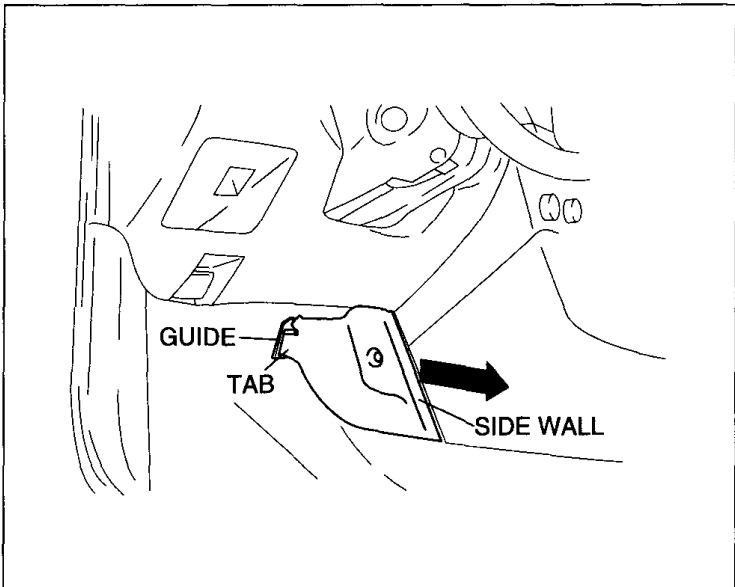


B3E0917W105

**Side Wall Removal/Installation (Article 1359504)**



am3uuw0000122



am3uuw0000122

### All Technical Service Bulletins (itype\_100)

Tsbs

- Interior - Crack Appears In Center Of Dash (0907009, 2009/11/12)
- Interior - Poor Upper Dash Surface Appearance (0903812, 2012/09/19)

### Customer Interest Bulletins (itype\_109)

Tsbs

- Interior - Crack Appears In Center Of Dash (0907009, 2009/11/12)

### Repair Tips (itype\_110)

Tsbs

- Interior - Poor Upper Dash Surface Appearance (0903812, 2012/09/19)

### Abnormal wear/deterioration (itype\_122)

Tsbs

- Interior - Crack Appears In Center Of Dash (0907009, 2009/11/12)