

# Component Procedures: Relay Box

## Table of Contents

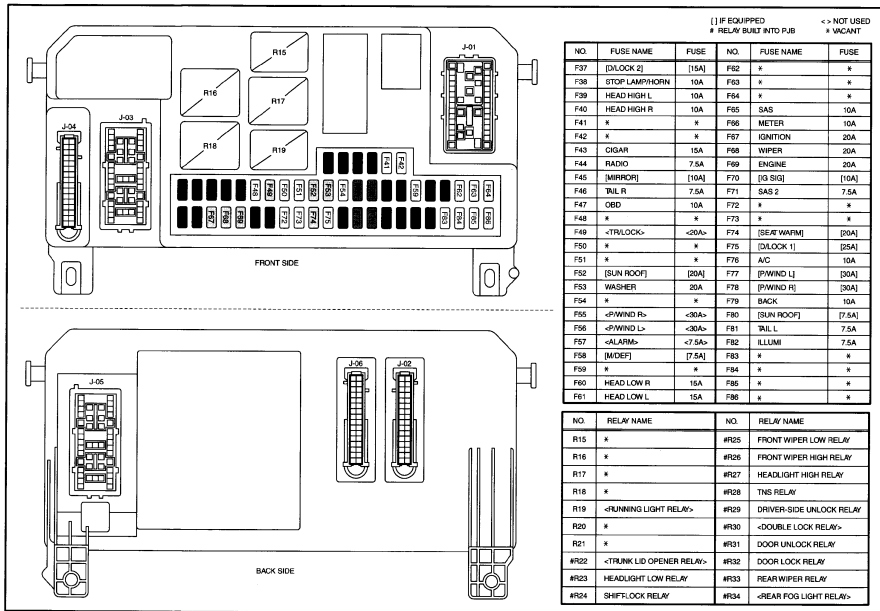
1. Electrical (OE) (itype\_21)
2. Fuse Box (Article 1369242)
3. Removal and Replacement (itype\_401)
4. Component Tests and General Diagnostics (itype\_383)
5. Oscilloscope Patterns and Waveforms (itype\_48)
6. Pinout Values and Diagnostic Parameters (itype\_385)
7. Scan Tool Testing and Procedures (itype\_384)

# Component Procedures: Relay Box

## Electrical (OE) (itype\_21)

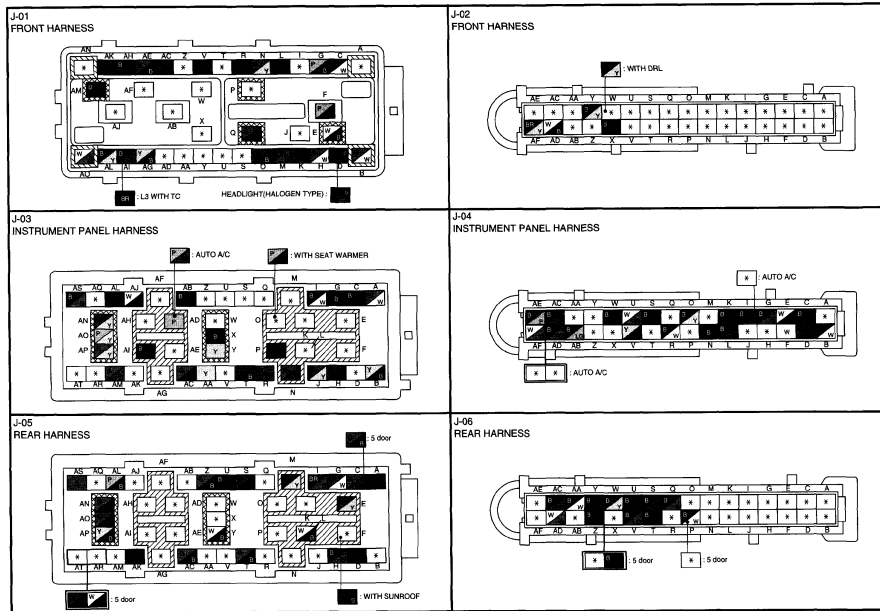
PASSENGER JUNCTION BOX (PJB)

00J-1



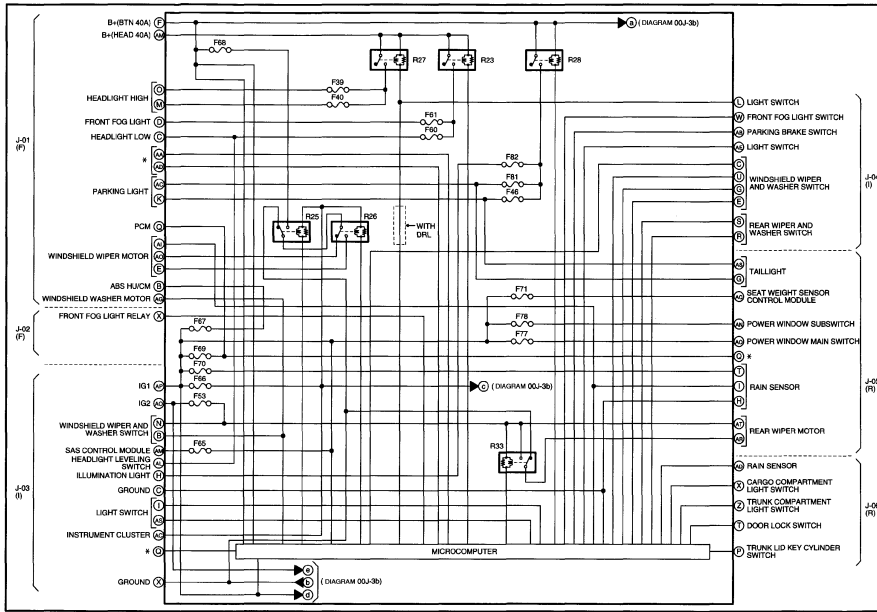
PASSENGER JUNCTION BOX (PJB)

00J-2



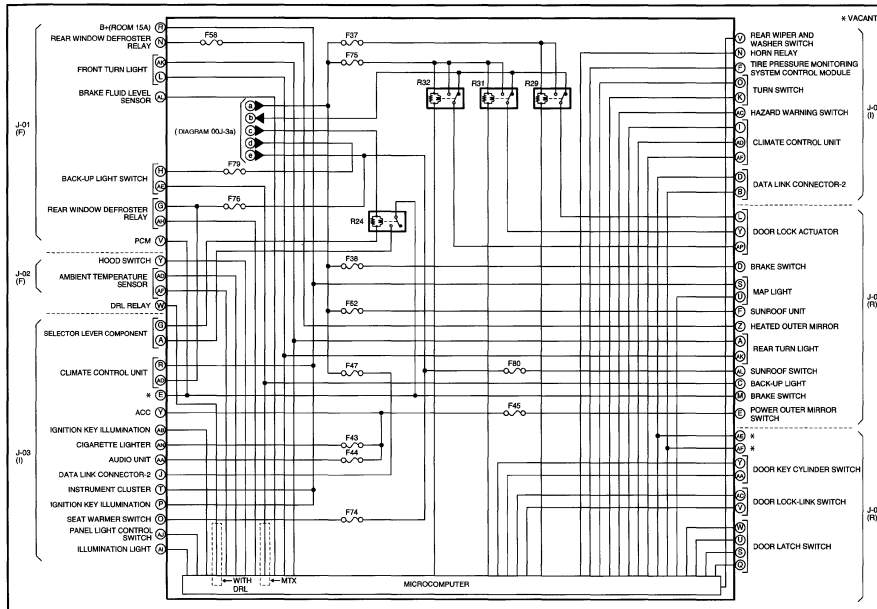
PASSENGER JUNCTION BOX (PJB)

00J-3a



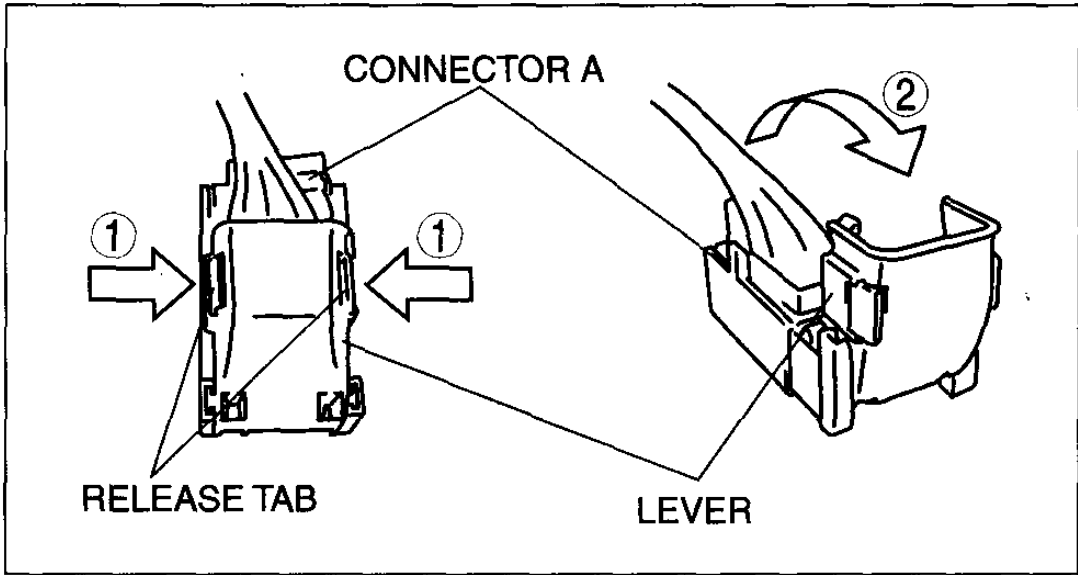
PASSENGER JUNCTION BOX (PJB)

00J-3b

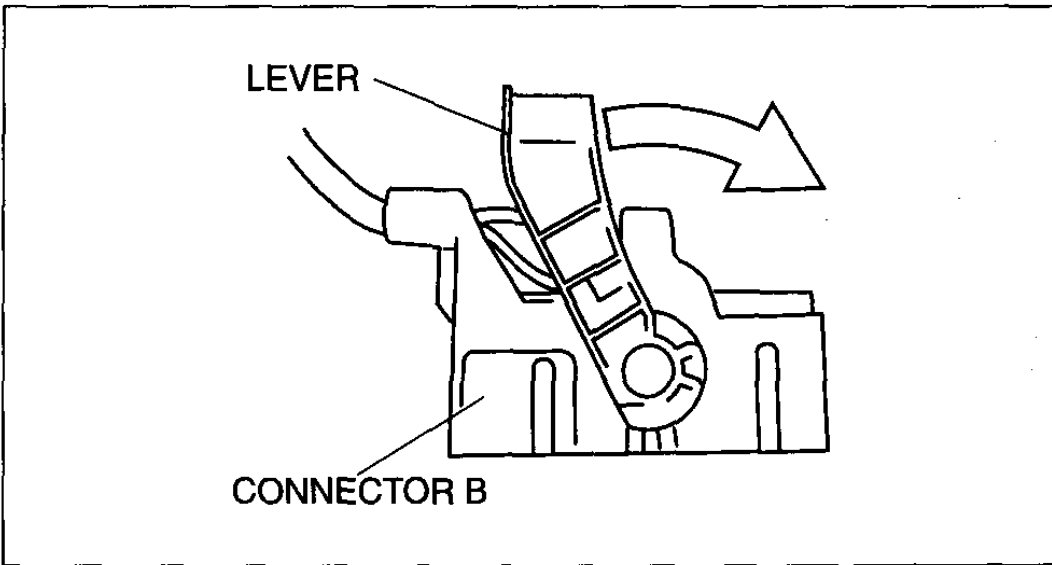


Fuse Box (Article 1369242)

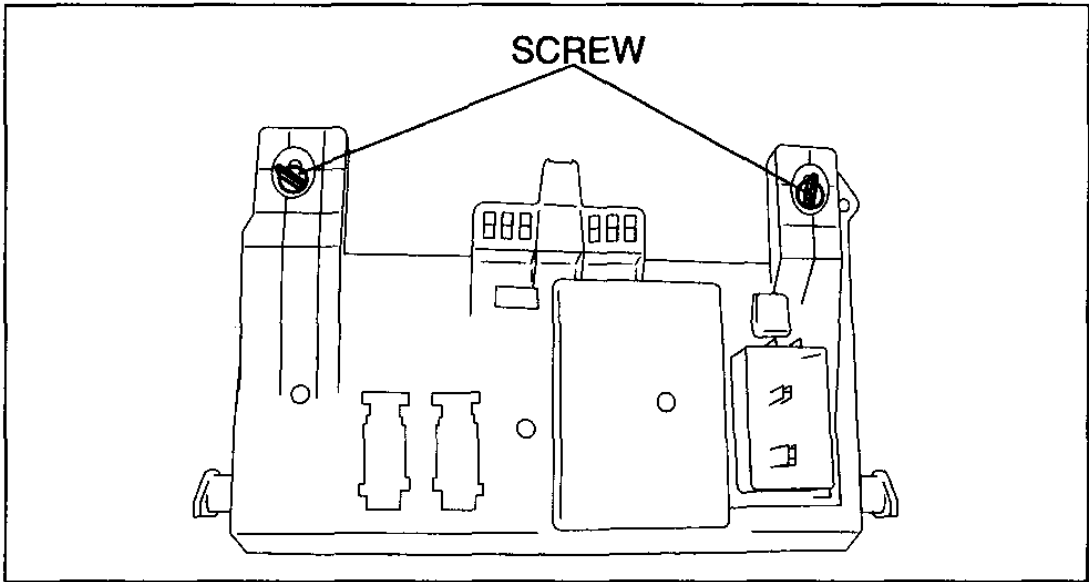




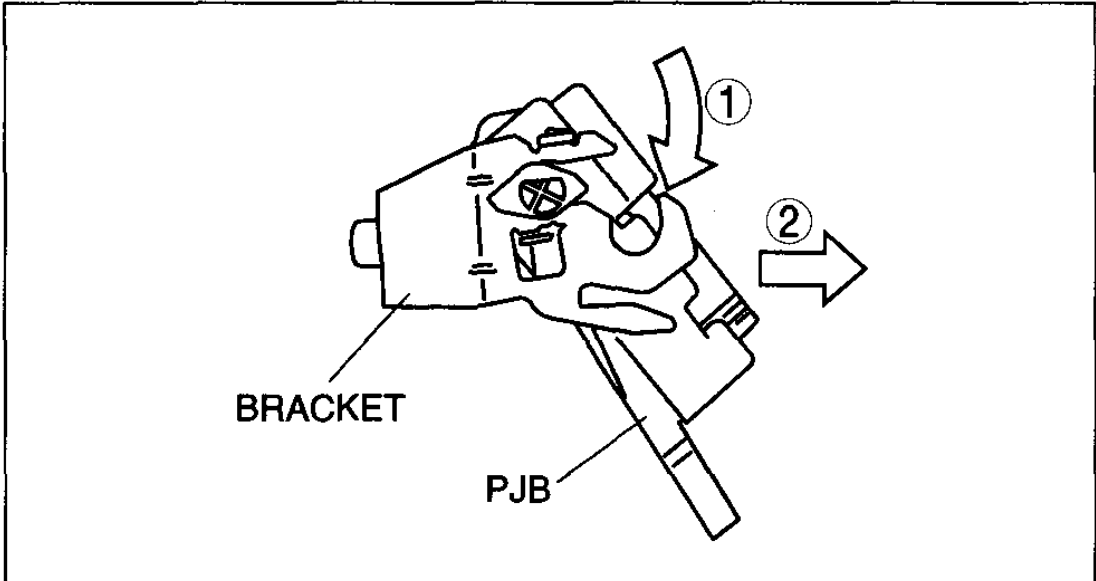
am3uuw0000086



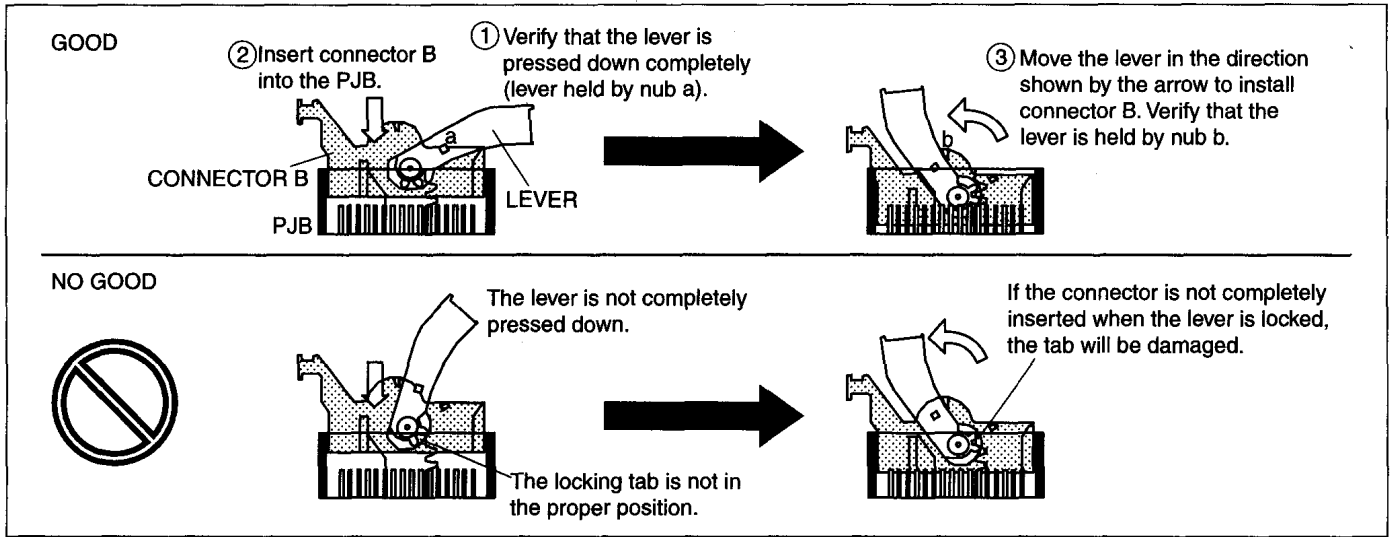
am3uuw0000086



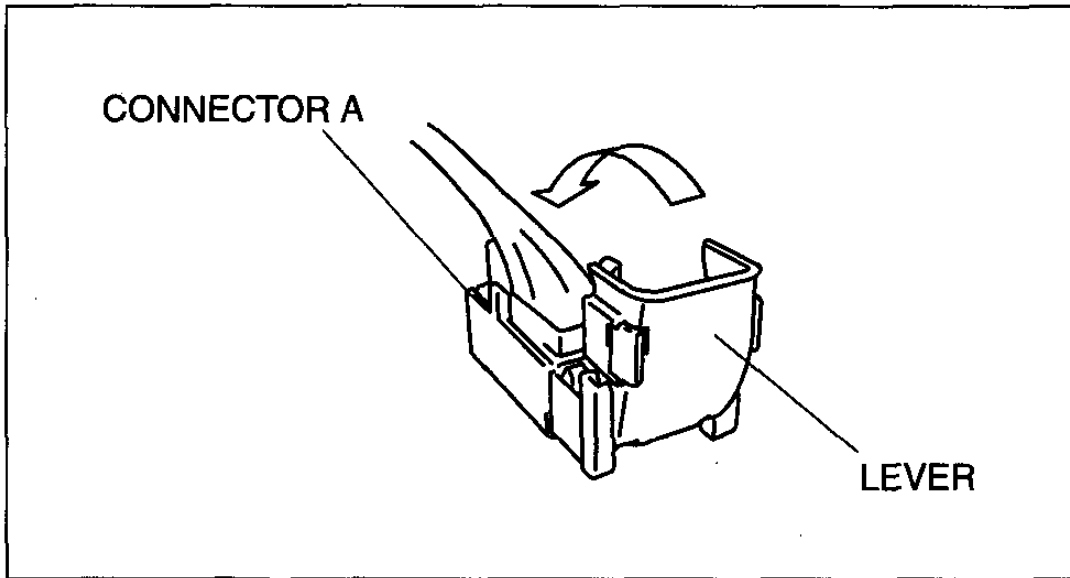
am3uuw000086



am3uuw000086

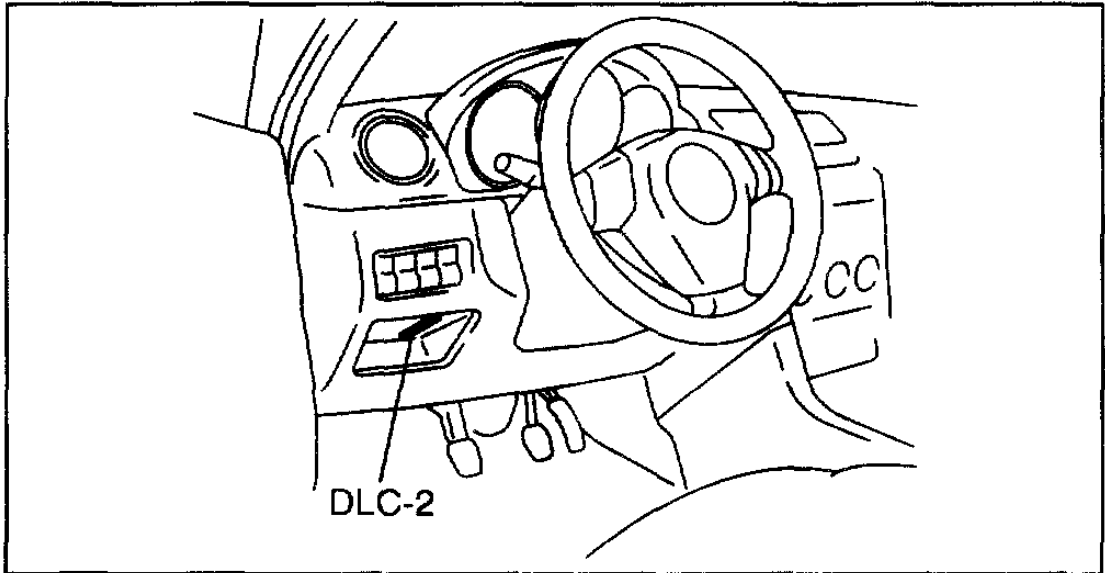


c3u940zwc00a



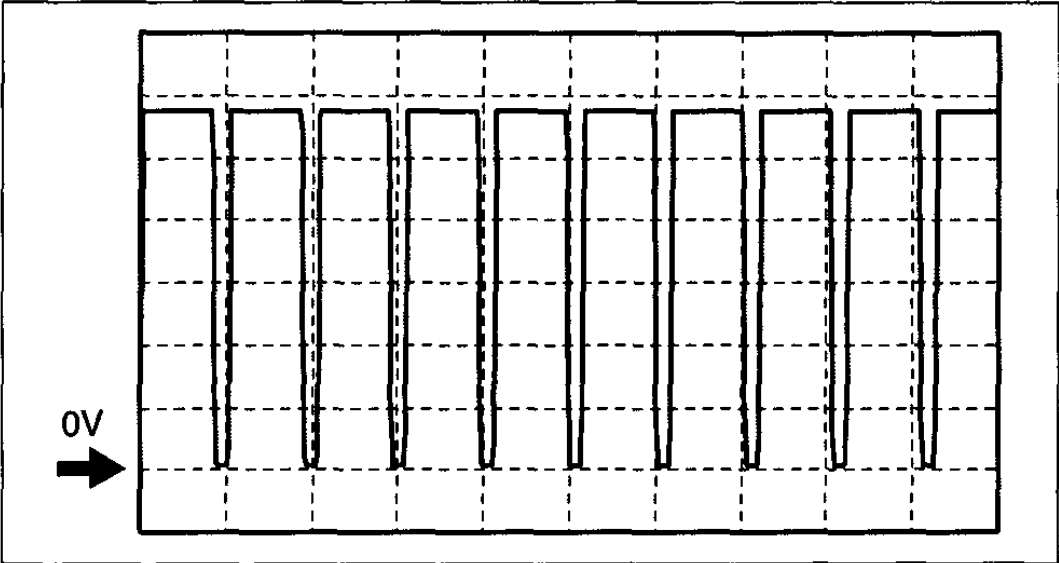
am3uuw0000086

**Component Tests and General Diagnostics (itype\_383)**



B3E0102W003

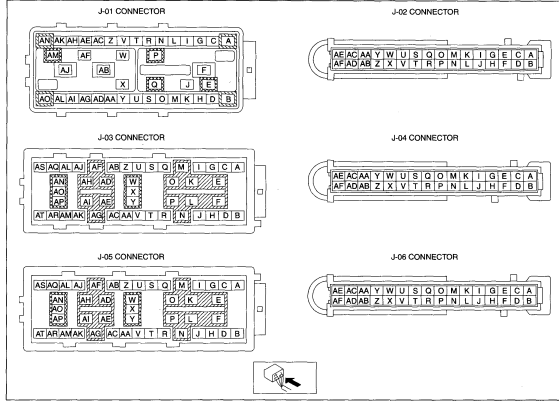
Oscilloscope Patterns and Waveforms (itype\_48)



am3uuw000052

Pinout Values and Diagnostic Parameters (itype\_385)

Terminal voltage table (reference)



CSJ940W01

Terminal	Signal	Connected to	Measurement condition	Voltage (V)	Inspection item (s)
J-01 A	—	—	—	—	—
J-01 B	Power supply	Main fuse block	Ignition switch at ON	B+	<ul style="list-style-type: none"> <li>Ignition switch</li> <li>Related wiring harnesses</li> </ul>
			Ignition switch off	1.0 or less	
J-01 C <sup>2</sup>	Headlight (RH) control	Headlight (RH) (low beam)	Light switch at headlight position	B+	<ul style="list-style-type: none"> <li>Headlight (RH) (low beam)</li> <li>Related wiring harnesses</li> </ul>
			Light switch off	1.0 or less	
J-01 D <sup>2</sup>	Headlight (LH) control	Headlight (LH) (low beam)	Light switch at headlight position	B+	<ul style="list-style-type: none"> <li>Headlight (LH) (low beam)</li> <li>Related wiring harnesses</li> </ul>
			Light switch off	1.0 or less	
J-01 E	Windshield wiper motor control	Windshield wiper motor (high speed)	Wiper switch at high position	B+	<ul style="list-style-type: none"> <li>Windshield wiper motor</li> <li>Related wiring harnesses</li> </ul>
			Other	1.0 or less	

Terminal	Signal	Connected to	Measurement condition	Voltage (V)	Inspection item (s)
J-01 F	PJB power supply	Main fuse block	Under any condition	B+	<ul style="list-style-type: none"> <li>Related wiring harnesses</li> </ul>
J-01 G	Blower relay, rear window defroster relay power supply	Blower relay, rear window defroster relay	Ignition switch at ON	B+	<ul style="list-style-type: none"> <li>Blower relay</li> <li>Rear window defroster relay</li> <li>Related wiring harnesses</li> </ul>
			Ignition switch off	1.0 or less	
J-01 H	Back-up light power supply	Back-up light switch	Ignition switch at ON	B+	<ul style="list-style-type: none"> <li>Back-up light switch</li> <li>Related wiring harnesses</li> </ul>
			Ignition switch off	1.0 or less	
J-01 I	—	—	—	—	—
J-01 J	—	—	—	—	—
J-01 K	Parking light (RH) control	Parking light (RH)	Light switch at TNS position	B+	<ul style="list-style-type: none"> <li>Parking light (RH)</li> <li>Related wiring harnesses</li> </ul>
			Light switch at OFF position	1.0 or less	
J-01 L	Front turn light (RH) control	Front turn light (RH)	Turn switch (RH) on	Alternates between 1.0 or less and B+	<ul style="list-style-type: none"> <li>Front turn light (RH)</li> <li>Related wiring harnesses</li> </ul>
			Hazard warning switch on	1.0 or less	
			Other	1.0 or less	
J-01 M	High beam (RH) control	Headlight (RH) (high beam)	Light switch at high position or flash-to-pass	B+	<ul style="list-style-type: none"> <li>Headlight (RH) (high beam)</li> <li>Related wiring harnesses</li> </ul>
			Other	1.0 or less	
			Other	1.0 or less	
J-01 N	Heated outer mirror power supply	Rear window defroster relay	Rear window defroster switch on	B+	<ul style="list-style-type: none"> <li>Rear window defroster relay</li> <li>Related wiring harnesses</li> </ul>
			Rear window defroster switch off	1.0 or less	
J-01 O	High beam (LH) control	Headlight (LH) (high beam)	Light switch at high position or flash-to-pass	B+	<ul style="list-style-type: none"> <li>Headlight (LH) (high beam)</li> <li>Related wiring harnesses</li> </ul>
			Other	1.0 or less	
			Other	1.0 or less	
J-01 P	—	—	—	—	—
J-01 Q	Power supply	Main fuse block	Ignition switch at ON	B+	<ul style="list-style-type: none"> <li>Ignition switch</li> <li>Related wiring harnesses</li> </ul>
			Ignition switch off	1.0 or less	
J-01 R	PJB power supply	Main fuse block	Under any condition	B+	<ul style="list-style-type: none"> <li>Related wiring harnesses</li> </ul>
J-01 S	—	—	—	—	—
J-01 T	—	—	—	—	—
J-01 U	—	—	—	—	—
J-01 V	Brake switch signal output	PCM	Brake pedal depressed	B+	<ul style="list-style-type: none"> <li>Brake switch</li> <li>PCM</li> <li>Related wiring harnesses</li> </ul>
			Brake pedal released	1.0 or less	
J-01 W	—	—	—	—	—
J-01 X	—	—	—	—	—
J-01 Y	—	—	—	—	—
J-01 Z	—	—	—	—	—
J-01 AA <sup>1</sup>	Headlight (LH) control	Headlight (LH) (low beam)	Light switch at headlight position	B+	<ul style="list-style-type: none"> <li>Headlight (LH) (low beam)</li> <li>Related wiring harnesses</li> </ul>
			Light switch off	1.0 or less	
J-01 AB	—	—	—	—	—
J-01 AC	Parking light (LH) control	Parking light (LH)	Light switch at TNS position	B+	<ul style="list-style-type: none"> <li>Parking light (LH)</li> <li>Related wiring harnesses</li> </ul>
			Light switch at OFF position	1.0 or less	

Terminal	Signal	Connected to	Measurement condition	Voltage (V)	Inspection item (a)
J-01 AD	Headlight (RH) control	Headlight (RH) (low beam)	Light switch at headlight position	B+	• Headlight (RH) (low beam) • Related wiring harnesses
J-01 AE	Back-up light switch signal	• Back-up light switch (MTX) • TR switch (ATX)	Ignition switch at ON Transaxle in reverse Other	B+ 1.0 or less	• Back-up light switch (MTX) • TR switch (ATX) • Related wiring harnesses
J-01 AF	—	—	—	—	—
J-01 AG	Windshield washer motor control	Windshield washer motor	Ignition switch at ON Windshield washer switch on Windshield washer switch off	B+ 1.0 or less	• Windshield washer motor • Related wiring harnesses
J-01 AH	Rear window defroster relay control	Rear window defroster relay	Ignition switch at ON Rear window defroster switch on Rear window defroster switch off	1.0 or less B+	• Rear window defroster relay • Related wiring harnesses
J-01 AI	Autostop switch signal	Autostop switch	Ignition switch at ON Windshield wiper moving Windshield wiper stopped	B+ 1.0 or less	• Autostop switch (windshield wiper motor) • Related wiring harnesses
J-01 AJ	—	—	—	—	—
J-01 AK	Front turn light (LH) control	Front turn light (LH)	Turn switch (LH) on Hazard warning switch on Other	Alternates between 1.0 or less and B+ 1.0 or less	• Front turn light (LH) • Related wiring harnesses
J-01 AL	Brake fluid level signal	Brake fluid level sensor	Ignition switch at ON Brake fluid level above MIN. Brake fluid level below MIN.	B+ 1.0 or less	• Brake fluid level sensor • Related wiring harnesses
J-01 AM	FJB power supply	Main fuse block	Under any condition	B+	• Related wiring harnesses
J-01 AN	—	—	—	—	—
J-01 AO	Windshield wiper motor control	Windshield wiper motor (low speed)	Wiper switch at low position Other	B+ 1.0 or less	• Windshield wiper motor • Related wiring harnesses
J-02 A	—	—	—	—	—
J-02 B	—	—	—	—	—
J-02 C	—	—	—	—	—
J-02 D	—	—	—	—	—
J-02 E	—	—	—	—	—
J-02 F	—	—	—	—	—
J-02 G	—	—	—	—	—
J-02 H	—	—	—	—	—
J-02 I	—	—	—	—	—
J-02 J	—	—	—	—	—
J-02 K	—	—	—	—	—
J-02 L	—	—	—	—	—
J-02 M	—	—	—	—	—
J-02 N	—	—	—	—	—
J-02 O	—	—	—	—	—
J-02 P	—	—	—	—	—
J-02 Q	—	—	—	—	—
J-02 R	—	—	—	—	—

Terminal	Signal	Connected to	Measurement condition	Voltage (V)	Inspection item (b)
J-02 S	—	—	—	—	—
J-02 T	—	—	—	—	—
J-02 U	—	—	—	—	—
J-02 V	—	—	—	—	—
J-02 W	DRL control (high beam)	DRL relay	DRL mode Other	1.0 or less B+	• DRL relay • Related wiring harnesses
J-02 X	Front fog light relay control	Front fog light relay	Light switch at headlight position Front fog light switch on Front fog light switch off	1.0 or less B+	• Front fog light relay • Related wiring harnesses
J-02 Y	Hood latch switch signal	Hood latch switch	Hood open (Hood latch switch off) Hood closed (Hood latch switch on)	B+ 1.0 or less	• Hood latch switch • Related wiring harnesses
J-02 Z	—	—	—	—	—
J-02 AA	—	—	—	—	—
J-02 AB	—	—	—	—	—
J-02 AC	—	—	—	—	—
J-02 AD	—	—	—	—	—
J-02 AE	—	—	—	—	—
J-02 AF	—	—	—	—	—
J-03 A	Shift lock solenoid control	Selector lever component	Selector lever shifted to P position and brake pedal depressed Other	B+ 1.0 or less	• Selector lever component • Related wiring harnesses
J-03 B	Washer switch signal	Windshield wiper and washer switch	Ignition switch at ON Washer switch on Washer switch off	B+ 1.0 or less	• Windshield wiper and washer switch • Related wiring harnesses
J-03 C	FJB GND	Body ground	Under any condition:	1.0 or less	• Related wiring harnesses
J-03 D	—	—	—	—	—
J-03 E	—	—	—	—	—
J-03 F	—	—	—	—	—
J-03 G	Shift lock control	Selector lever component	Ignition switch at ON Selector lever shifted to P position Other	1.0 or less B+ B+	• Selector lever component • Related wiring harnesses
J-03 H	Illumination power supply	Illumination bulb	Light switch at TNS position Light switch at OFF position	1.0 or less 1.0 or less	• Light switch • Related wiring harnesses
J-03 I	TNS signal	Light switch	Light switch at TNS position Light switch at OFF position	1.0 or less B+	• Light switch • Related wiring harnesses
J-03 J	DLC-2 power supply	DLC-2	Under any condition	B+	• Related wiring harnesses
J-03 K	—	—	—	—	—
J-03 L	—	—	—	—	—
J-03 M	—	—	—	—	—
J-03 N	Washer motor power supply	• Windshield wiper and washer switch • Rear washer motor	Ignition switch at ON Ignition switch off	B+ 1.0 or less	• Ignition switch • Related wiring harnesses
J-03 O	—	—	—	—	—

Terminal	Signal	Connected to	Measurement condition	Voltage (V)	Inspection item (s)
J-03 P	Power supply	• Audio unit • Keyless control module • Car navigation unit • Ignition key illumination bulb	Under any condition	B+	• Related wiring harnesses
J-03 Q	—	—	—	—	—
J-03 R	Climate control unit power supply	Climate control unit	Under any condition	B+	• Related wiring harnesses
J-03 S	—	—	—	—	—
J-03 T	Power supply	• Instrument cluster • Key Interlock solenoid	Under any condition	B+	• Related wiring harnesses
J-03 U	—	—	—	—	—
J-03 V	—	—	—	—	—
J-03 W	—	—	—	—	—
J-03 X	PJB GND	Body ground.	Under any condition:	1.0 or less	• Related wiring harnesses
J-03 Y	Power supply	Ignition switch	Ignition switch at ACC	B+	• Ignition switch • Related wiring harnesses
J-03 Z	—	—	Ignition switch off	1.0 or less	—
J-03 AA	Power supply	• Audio unit • Car navigation unit	Ignition switch at ACC	B+	• Ignition switch • Related wiring harnesses
J-03 AB	Ignition key illumination control	Ignition key illumination	Ignition switch off and driver-side door opened. 15 s or more after driver-side door closed.	1.0 or less B+	• Ignition key illumination bulb • Related wiring harnesses
J-03 AC	Power supply	Instrument cluster	Ignition switch at ON	B+	• Ignition switch • Related wiring harnesses
J-03 AD	Power supply	Climate control unit	Ignition switch off	1.0 or less	• Ignition switch • Related wiring harnesses
J-03 AE	—	—	—	—	—
J-03 AF	—	—	—	—	—
J-03 AG	—	—	—	—	—
J-03 AH	—	—	—	—	—
J-03 AI	Panel light control	Illumination bulb	Panel light control switch turned to the brightest setting Panel light control switch turned to the darkest position (See 09-40-13 Inspection using an oscilloscope (reference).)	1.0 or less	• Each illumination bulb • Related wiring harnesses
J-03 AJ	Panel light control input	Panel light control switch	Panel light control switch turned to the brightest setting Panel light control switch turned to the darkest position	Approx. 4.5 1.0 or less	• Panel light control switch • Related wiring harnesses
J-03 AK	—	—	—	—	—
J-03 AL	Headlight leveling switch power supply	Headlight leveling switch	Light switch at headlight position Light switch at OFF position	B+ 1.0 or less	• Headlight leveling switch • Related wiring harnesses

Terminal	Signal	Connected to	Measurement condition	Voltage (V)	Inspection item (s)
J-03 AM	SAS control module power supply	SAS control module	Ignition switch at ON	B+	• Ignition switch • Related wiring harnesses
J-03 AN	Cigarette lighter power supply	Cigarette lighter	Ignition switch at ACC	B+	• Ignition switch • Related wiring harnesses
J-03 AO	Power supply	Ignition switch	Ignition switch off	1.0 or less	• Ignition switch • Related wiring harnesses
J-03 AP	Power supply	Ignition switch	Ignition switch at ON	B+	• Ignition switch • Related wiring harnesses
J-03 AQ	—	—	—	—	—
J-03 AR	—	—	—	—	—
J-03 AS	Headlight switch signal	Light switch	Light switch at headlight position Light switch at OFF position	1.0 or less B+	• Light switch • Related wiring harnesses
J-03 AT	—	—	—	—	—
J-04 A	—	—	—	—	—
J-04 B	CAN_L	—	Because this terminal is for communication, good/no good judgment by terminal voltage is not possible.	—	• Related wiring harnesses
J-04 C	Windshield wiper switch signal (high)	Windshield wiper and washer switch	Ignition switch at ON	1.0 or less B+	• Windshield wiper and washer switch • Related wiring harnesses
J-04 D	CAN_H	—	Because this terminal is for communication, good/no good judgment by terminal voltage is not possible.	—	• Related wiring harnesses
J-04 E	Sensitivity adjustment volume	Windshield wiper and washer switch	Ignition switch at ON	Sensitivity adjustment volume turned from + position to — position 0 → 0.8 → 1.5 → 2.0 → 2.7	• Windshield wiper and washer switch • Related wiring harnesses
J-04 F	Keyless entry signal	Keyless control module	—	—	• Keyless control module • Related wiring harnesses
J-04 G	Windshield wiper switch signal (low)	Windshield wiper and washer switch	Ignition switch at ON	1.0 or less B+	• Windshield wiper and washer switch • Related wiring harnesses
J-04 H	—	—	—	—	—
J-04 I	Rear window defroster signal	Climate control unit	Rear window defroster switch on Rear window defroster switch off	1.0 or less B+	• Climate control unit • Related wiring harnesses
J-04 J	—	—	—	—	—
J-04 K	Turn switch input (RH)	Turn switch	Ignition switch at ON	1.0 or less B+	• Turn switch • Related wiring harnesses
J-04 L	Headlight switch signal (high beam)	Light switch	Light switch at high position or flash-to-pass Other	1.0 or less B+	• Light switch • Related wiring harnesses
J-04 M	—	—	—	—	—
J-04 N	Horn control	Horn relay	Transmitter LOCK button is pressed twice within 5 s. Other	B+ → 1.0 or less → B+ B+	• Horn relay • Related wiring harnesses

Terminal	Signal	Connected to	Measurement condition	Voltage (V)	Inspection item (s)
J-04 O	Turn switch input (LH)	Turn switch	Ignition switch at ON	1.0 or less B+	• Turn switch • Related wiring harnesses
J-04 P	—	—	—	—	—
J-04 Q	—	—	—	—	—
J-04 R	Rear wiper switch signal (on)	Rear wiper and washer switch	Ignition switch at ON Rear wiper and washer switch at ON position Other	1.0 or less B+	• Rear wiper and washer switch • Related wiring harnesses
J-04 S	Rear wiper switch signal (INT)	Rear wiper and washer switch	Ignition switch at ON Rear wiper and washer switch at INT position Other	1.0 or less B+	• Rear wiper and washer switch • Related wiring harnesses
J-04 T	—	—	—	—	—
J-04 U	Windshield wiper switch signal (INT)	Windshield wiper switch	Ignition switch at ON Windshield wiper switch at INT position Other	1.0 or less B+	• Windshield wiper switch • Related wiring harnesses
J-04 V	Rear washer switch signal	Windshield wiper and washer switch	Ignition switch at ON Rear washer switch on Rear washer switch off	1.0 or less B+	• Windshield wiper and washer switch • Related wiring harnesses
J-04 W	Front fog light switch signal	Front fog light switch	Front fog light switch on Front fog light switch off	1.0 or less B+	• Fog light switch • Related wiring harnesses
J-04 X	—	—	—	—	—
J-04 Y	—	—	—	—	—
J-04 Z	—	—	—	—	—
J-04 AA	—	—	—	—	—
J-04 AB	Parking brake switch signal	Parking brake switch	Ignition switch at ON Parking brake switch on Parking brake switch off	1.0 or less B+	• Parking brake switch • Related wiring harnesses
J-04 AC	Hazard warning switch signal	Hazard warning switch	Hazard warning switch on Hazard warning switch off	1.0 or less B+	• Hazard warning switch • Related wiring harnesses
J-04 AD	Rear window defroster signal	Climate control unit	Rear window defroster switch is pressed Rear window defroster switch is released	1.0 or less B+	• Climate control unit • Related wiring harnesses
J-04 AE	Light switch signal (AUTO)	Light switch	Ignition switch at ON Light switch at AUTO position Other	1.0 or less B+	• Light switch • Related wiring harnesses
J-04 AF	A/C operation signal	Climate control unit	A/C operating A/C not operating	1.0 or less B+	• Climate control unit • Related wiring harnesses
J-05 A	Rear turn light (LH) control	Rear turn light (LH)	Turn switch (LH) on Hazard warning switch on Other	Alternates between 1.0 or less and B+ 1.0 or less	• Rear turn light (LH) • Related wiring harnesses
J-05 B	—	—	—	—	—
J-05 C	Back-up light control	Back-up light	Ignition switch at ON Transaxle in reverse Other	B+ 1.0 or less	• Back-up light • Related wiring harnesses
J-05 D	—	—	—	—	—
J-05 E	Power outer mirror power supply	Power outer mirror	Ignition switch at ACC Ignition switch off	B+ 1.0 or less	• Power outer mirror • Related wiring harnesses

Terminal	Signal	Connected to	Measurement condition	Voltage (V)	Inspection item (s)
J-05 F	Sunroof power supply	Sunroof	Under any condition	B+	• Sunroof • Related wiring harnesses
J-05 G	Tail light (LH) control	Tail light (LH)	Light switch at TNS position Light switch at OFF position	B+ 1.0 or less	• Tail light (LH) • Related wiring harnesses
J-05 H <sup>1)</sup>	Rain sensor GND	Rain sensor	Under any condition:	1.0 or less	• Related wiring harnesses
J-05 I <sup>2)</sup>	Auto stop switch signal	Rain sensor	Windshield wiper moving	B+	• Auto stop switch (windshield wiper motor)
			Windshield wiper stopped	1.0 or less	• Rain sensor • Related wiring harnesses
J-05 J	—	—	—	—	—
J-05 K	—	—	—	—	—
J-05 L	Driver-side door unlock control	Driver-side door lock actuator	Driver-side door lock actuator unlocking Other	1.0 or less → B+ → 1.0 or less 1.0 or less	• Driver-side door lock actuator • Related wiring harnesses
J-05 M	Brake switch signal	Brake switch	Brake pedal depressed Brake pedal released	B+ 1.0 or less	• Brake switch • Related wiring harnesses
J-05 N	—	—	—	—	—
J-05 O	—	—	—	—	—
J-05 P	—	—	—	—	—
J-05 Q	—	—	—	—	—
J-05 R	—	—	—	—	—
J-05 S	Interior light power supply	• Map light • Interior light • Trunk compartment light • Cargo compartment light	Under any condition	B+	• Related wiring harnesses
J-05 T <sup>3)</sup>	Rain sensor power supply	Rain sensor	Ignition switch at ON Ignition switch off	B+ 1.0 or less	• Ignition switch • Related wiring harnesses
J-05 U	Interior light control	• Map light • Interior light	Within 5 min after any door is opened. 5 min or more after any door is closed. All doors closed	1.0 or less B+ 1.0 or less	• Map light • Interior light • Related wiring harnesses
J-05 V	—	—	—	—	—
J-05 W	—	—	—	—	—
J-05 X	—	—	—	—	—
J-05 Y	Door unlock control	Door lock actuator	Door lock actuator unlocking Other	1.0 or less → B+ → 1.0 or less 1.0 or less	• Door lock actuator • Related wiring harnesses
J-05 Z	Heated outer mirror control	Heated outer mirror	Rear window defroster switch on Rear window defroster switch off	B+ 1.0 or less	• Heated outer mirror • Related wiring harnesses
J-05 AA	—	—	—	—	—
J-05 AB	—	—	—	—	—
J-05 AC	Seat Weight Sensor power supply	Seat Weight Sensor	Ignition switch at ON Ignition switch off	B+ 1.0 or less	• Ignition switch • Related wiring harnesses
J-05 AD	—	—	—	—	—
J-05 AE	—	—	—	—	—

Terminal	Signal	Connected to	Measurement condition	Voltage (V)	Inspection item (s)
J-05 AF	---	---	---	---	---
J-05 AG	---	---	---	---	---
J-05 AH	---	---	---	---	---
J-05 AI	---	---	---	---	---
J-05 AJ	---	---	---	---	---
J-05 AK	Rear turn light (RH) control	Rear turn light (RH)	Turn switch (RH) on Hazard warning switch on Other	Rear turn light (RH) flashes 1.0 or less B+	Rear turn light (RH) Related wiring harnesses
J-05 AL	Sunroof power supply	Sunroof	Ignition switch at ON Ignition switch off	B+ 1.0 or less	Ignition switch Related wiring harnesses
J-05 AM	---	---	---	---	---
J-05 AN	Power window power supply	Power window switch (RH)	Ignition switch at ON Ignition switch off	B+ 1.0 or less	Ignition switch Related wiring harnesses
J-05 AO	Power window power supply	Power window switch (LH)	Ignition switch at ON Ignition switch off	B+ 1.0 or less	Ignition switch Related wiring harnesses
J-05 AP	Door lock control	Door lock actuator	Door lock actuator locking Other	1.0 or less B+ → 1.0 or less 1.0 or less	Door lock actuator Related wiring harnesses
J-05 AR	Rear wiper control	Rear wiper motor	Rear wiper moving Rear wiper stopped	B+ 1.0 or less	Rear wiper motor Related wiring harnesses
J-05 AS	Tail light (RH) control	Tail light (RH)	Light switch at TNS position Light switch at OFF position	B+ 1.0 or less	Tail light (RH) Related wiring harnesses
J-05 AT	Rear wiper power supply	Rear wiper motor	Ignition switch at ON Ignition switch off	B+ 1.0 or less	Rear wiper motor Related wiring harnesses
J-06 A	---	---	---	---	---
J-06 B	---	---	---	---	---
J-06 C	---	---	---	---	---
J-06 D	---	---	---	---	---
J-06 E	---	---	---	---	---
J-06 F	---	---	---	---	---
J-06 G	---	---	---	---	---
J-06 H	---	---	---	---	---
J-06 I	---	---	---	---	---
J-06 J	---	---	---	---	---
J-06 K	---	---	---	---	---
J-06 L	---	---	---	---	---
J-06 M	---	---	---	---	---
J-06 N	---	---	---	---	---
J-06 O	---	---	---	---	---
J-06 P	Trunk lid lock/unlock signal	Trunk lid key cylinder switch	At the moment key cylinder is unlocked At the moment key cylinder is locked Key cylinder at neutral position	1.0 or less Approx. 3 B+	Trunk lid key cylinder switch Related wiring harnesses
J-06 Q	Rear door latch switch (RH) signal	Rear door latch switch (RH)	Rear door (RH) open (Rear door latch switch (RH) off) Rear door (RH) closed (Rear door latch switch (RH) on)	B+ 1.0 or less	Rear door latch switch (RH) Related wiring harnesses
J-06 R	---	---	---	---	---

Terminal	Signal	Connected to	Measurement condition	Voltage (V)	Inspection item (s)
J-06 S	Rear door latch switch (LH) signal	Rear door latch switch (LH)	Rear door (LH) open (Rear door latch switch (LH) off) Rear door (LH) closed (Rear door latch switch (LH) on)	B+ 1.0 or less	Rear door latch switch (LH) Related wiring harnesses
J-06 T	Lock/unlock signal	Door lock switch	Door lock switch is pressed to lock. Door lock switch is pressed to unlock. Other	Approx. 2 1.0 or less B+	Door lock switch Related wiring harnesses
J-06 U	Front door latch switch (RH) signal	Front door latch switch (RH)	Front door (RH) open (Front door latch switch (RH) off) Front door (RH) closed (Front door latch switch (RH) on)	B+ 1.0 or less	Front door latch switch (RH) Related wiring harnesses
J-06 V	Unlock input (Driver-side door lock-link switch)	Driver-side door lock-link switch	Driver-side door locked Driver-side door unlocked	B+ 1.0 or less	Driver-side door lock-link switch Related wiring harnesses
J-06 W	Front door latch switch (LH) signal	Front door latch switch (LH)	Front door (LH) open (Front door latch switch (LH) off) Front door (LH) closed (Front door latch switch (LH) on)	B+ 1.0 or less	Front door latch switch (LH) Related wiring harnesses
J-06 X <sup>1</sup>	Liftgate latch switch signal	Liftgate latch switch	Liftgate open (Liftgate latch switch on) Liftgate closed (Liftgate latch switch off)	1.0 or less B+	Liftgate latch switch Related wiring harnesses
J-06 Y	Lock input (Driver-side door key cylinder switch)	Driver-side door key cylinder switch	At the moment key cylinder is locked Other	1.0 or less B+	Driver-side door key cylinder switch Related wiring harnesses
J-06 Z <sup>4</sup>	Trunk lid latch switch signal	Trunk lid latch switch	Trunk lid open (Trunk lid latch switch on) Trunk lid closed (Trunk lid latch switch off)	1.0 or less B+	Trunk lid latch switch Related wiring harnesses
J-06 AA	Unlock input (Driver-side door key cylinder switch)	Driver-side door key cylinder switch	At the moment key cylinder is unlocked Other	1.0 or less B+	Driver-side door key cylinder switch Related wiring harnesses
J-06 AB	---	---	---	---	---
J-06 AC	Lock input (Driver-side door lock-link switch)	Driver-side door lock-link switch	Driver-side door locked Driver-side door unlocked	1.0 or less B+	Driver-side door lock-link switch Related wiring harnesses
J-06 AD	Wiper or headlight operation request	Rain sensor	Because this terminal is for communication, good/no good judgment by terminal voltage is not possible.	---	Rain sensor Related wiring harnesses
J-06 AE	---	---	---	---	---
J-06 AF	---	---	---	---	---

- <sup>1</sup> : With DRL
- <sup>2</sup> : Without DRL
- <sup>3</sup> : With auto light and auto wiper system
- <sup>4</sup> : 4 door
- <sup>5</sup> : 5 door

## Scan Tool Testing and Procedures (itype\_384)



