

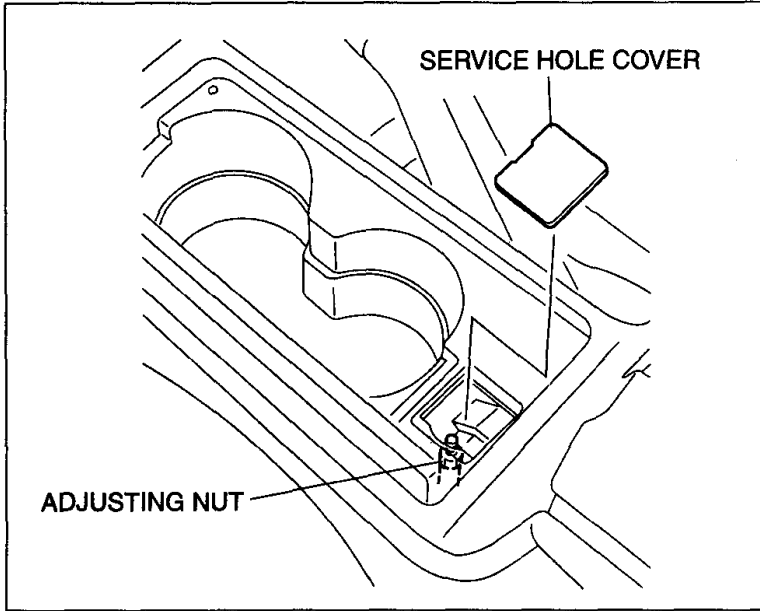
# **Component Procedures: Parking Brake Lever**

## **Table of Contents**

1. Parking Brake Lever Adjustment (Article 1367653)
2. Parking Brake Lever Removal/Installation (Article 1369890)
3. Parking Brake Lever Inspection (Article 1366284)

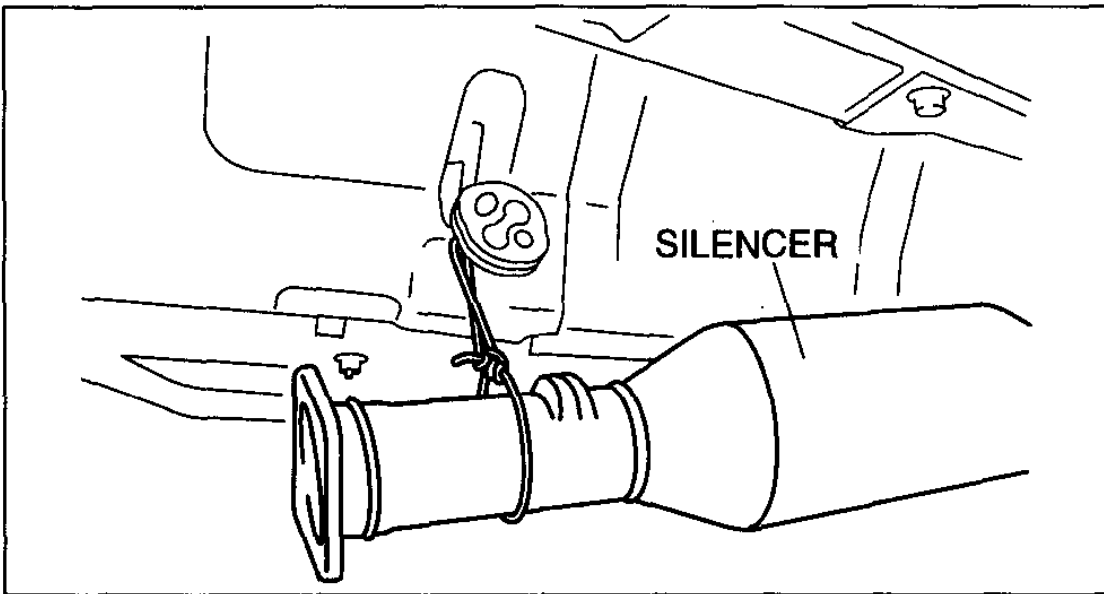
# Component Procedures: Parking Brake Lever

## Parking Brake Lever Adjustment (Article 1367653)

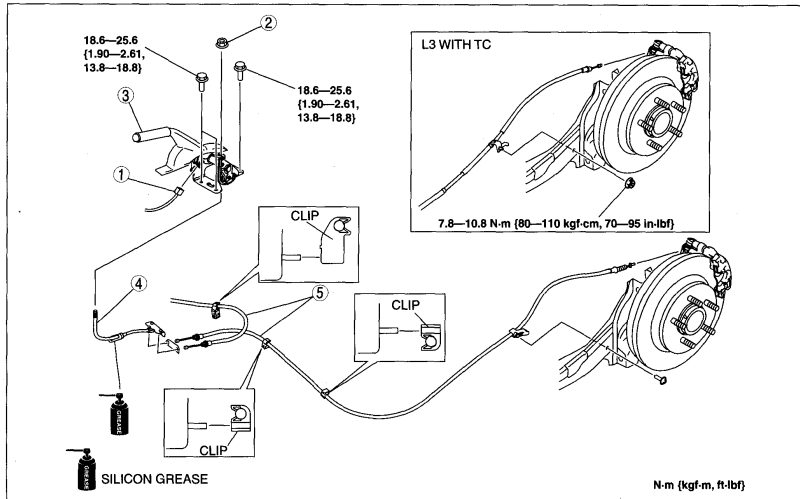


am3uuw000089

## Parking Brake Lever Removal/Installation (Article 1369890)

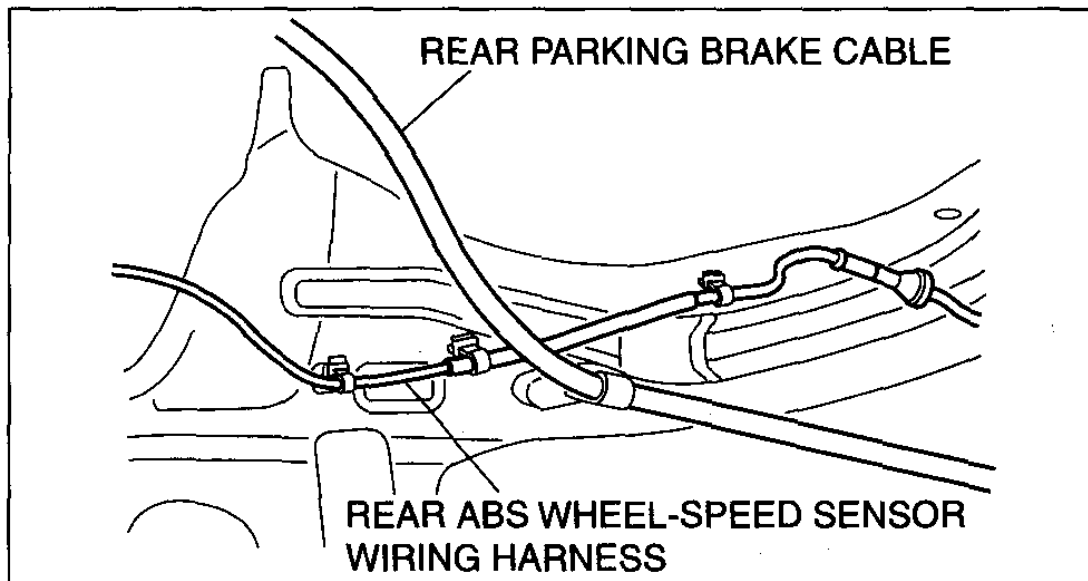


am3uuw000027

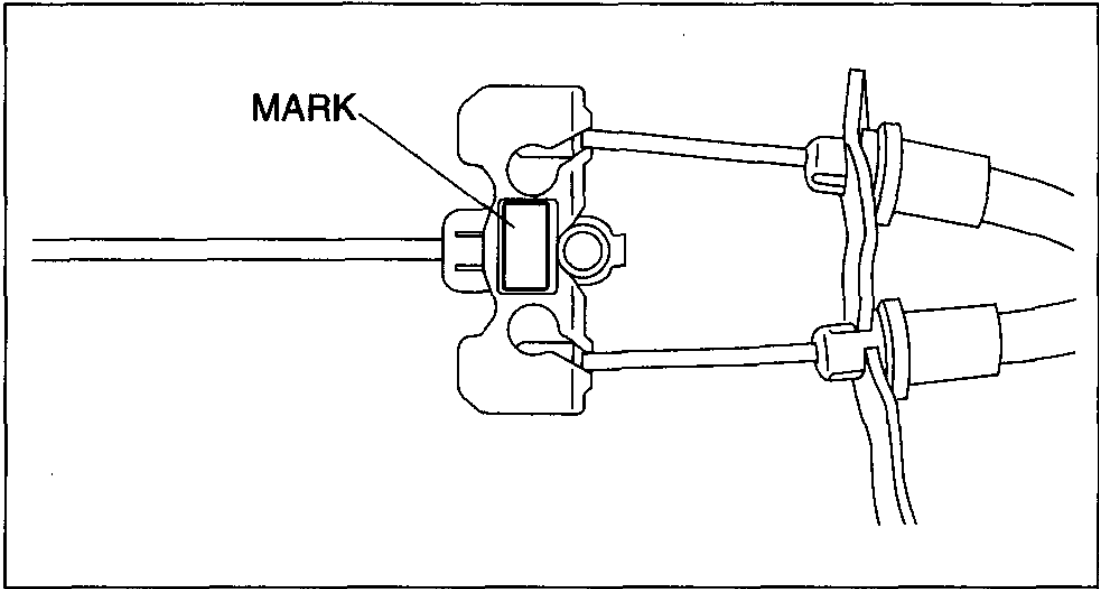


1	Parking brake switch connector
2	Adjusting nut
3	Parking brake lever

4	Front parking brake cable (See Front Parking Brake Cable Installation Note.)
5	Rear parking brake cable (See Rear Parking Brake Cable Installation Note.)

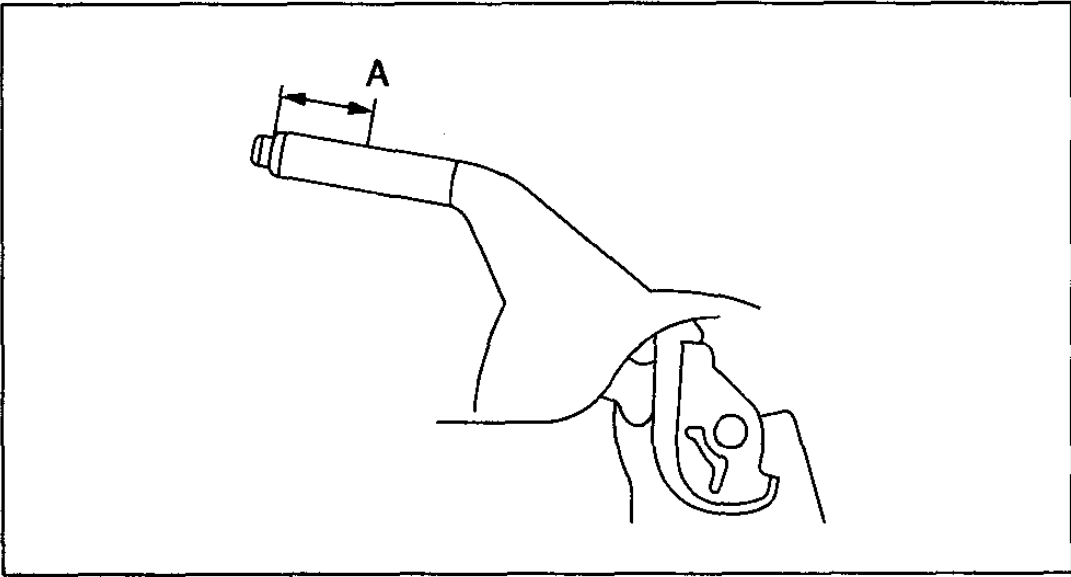


am3uuw0000028



am3uuw000028

**Parking Brake Lever Inspection (Article 1366284)**



am3uuw000028