

Component Procedures: Clutch Master Cylinder

Table of Contents

1. Parts and Labor (itype_189)
2. Clutch Master Cylinder Removal/Installation (Article 1420029)

Component Procedures: Clutch Master Cylinder

Parts and Labor (itype_189)

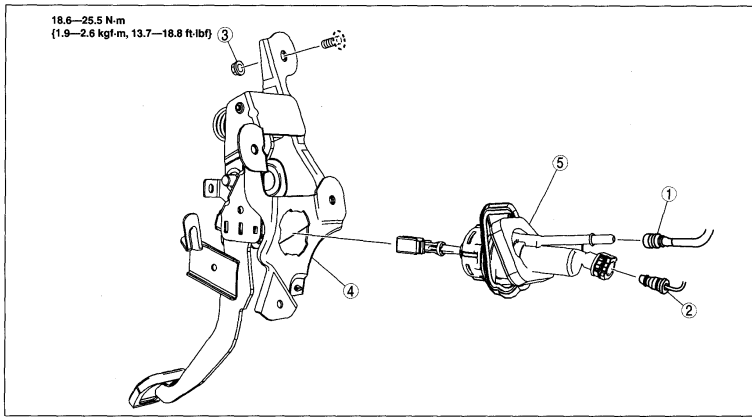
Parts

Qualifier	Part #	Name	Price	Note
Master Cylinder	BP4K41400E	Master Cylinder	171.72	

Labor

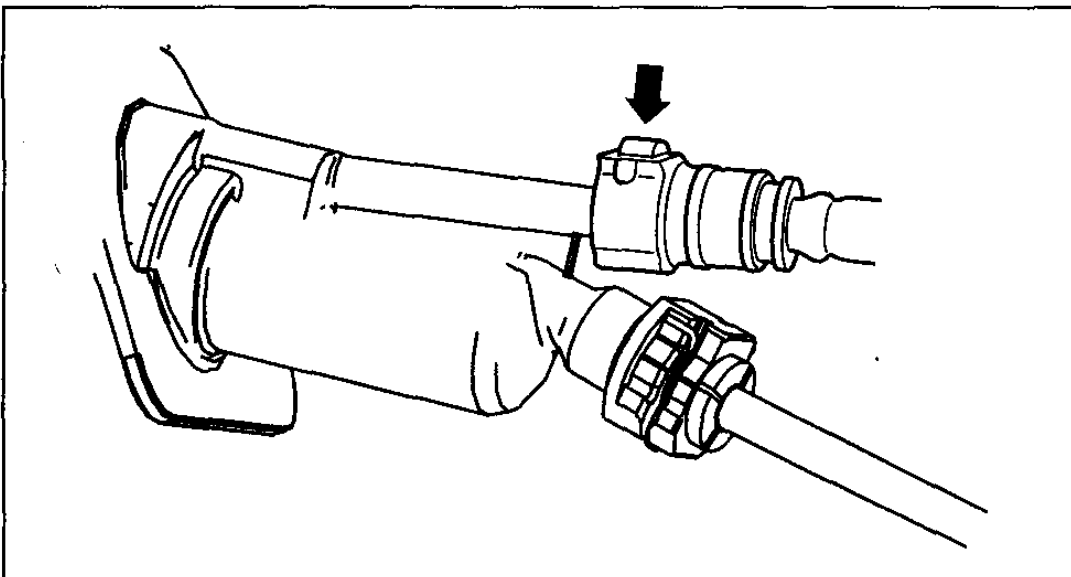
Operation	Qualifier Path	Skill	Std Hrs	Wty Hrs
Replace	Master Cylinder, R&R	B	1.4	1.1

Clutch Master Cylinder Removal/Installation (Article 1420029)

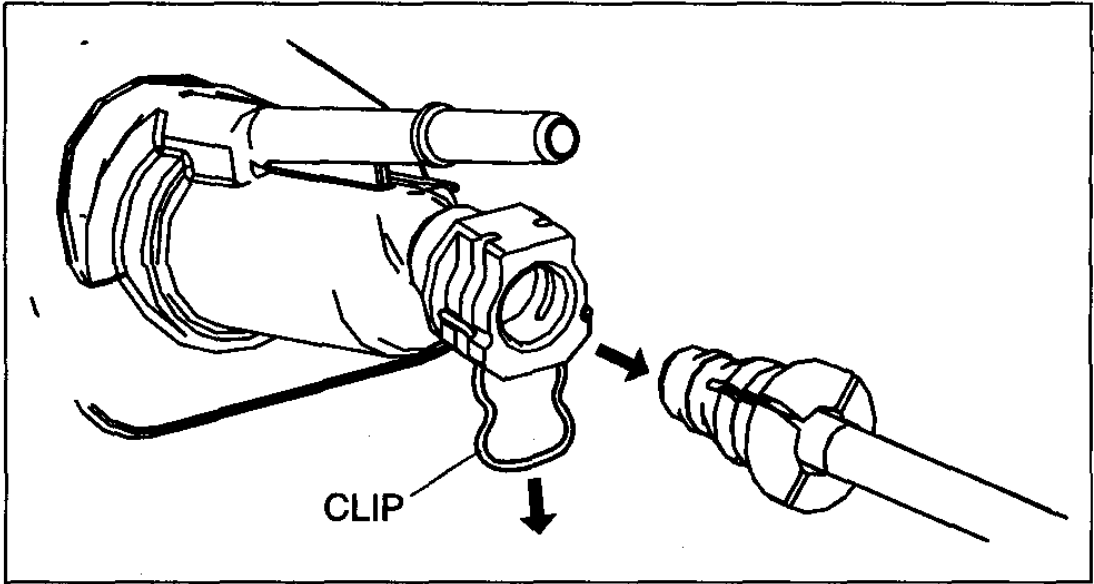


1	Reserve hose (See Clutch Pipe And Clutch Reserve Hose Removal Note.) (See Clutch Pipe And Clutch Reserve Hose Installation Note.)
2	Clutch pipe (See Clutch Pipe And Clutch Reserve Hose Removal Note.) (See Clutch Pipe And Clutch Reserve Hose Installation Note.)
3	Nuts

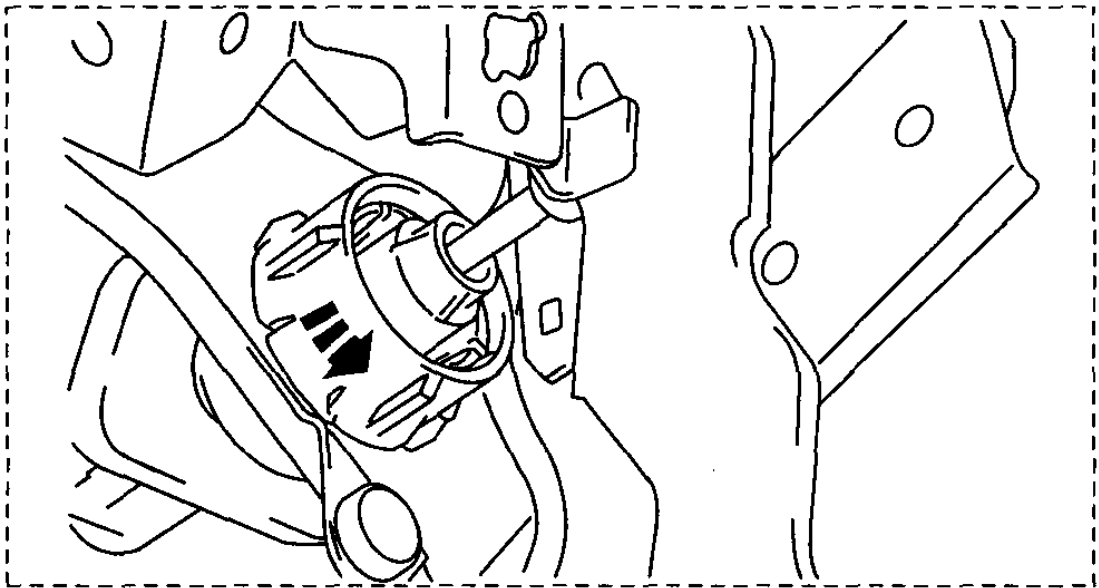
4	Clutch pedal component (See CLUTCH PEDAL REMOVAL/ INSTALLATION.)
5	Clutch master cylinder (See Clutch Master Cylinder Removal Note.) (See Clutch Master Cylinder Installation Note.)



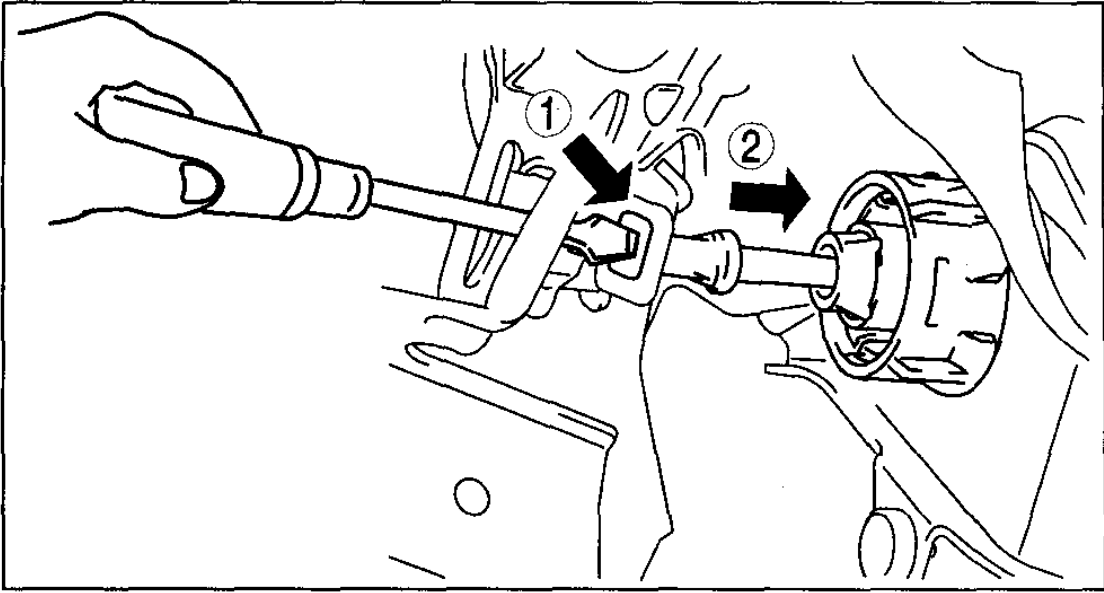
am3uuw0000018



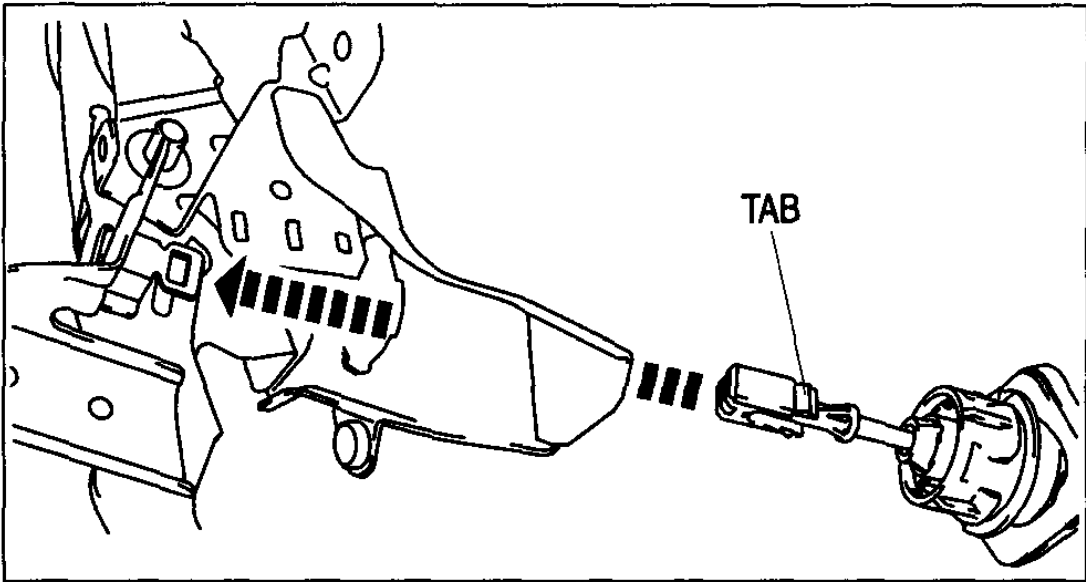
am3uuw000018



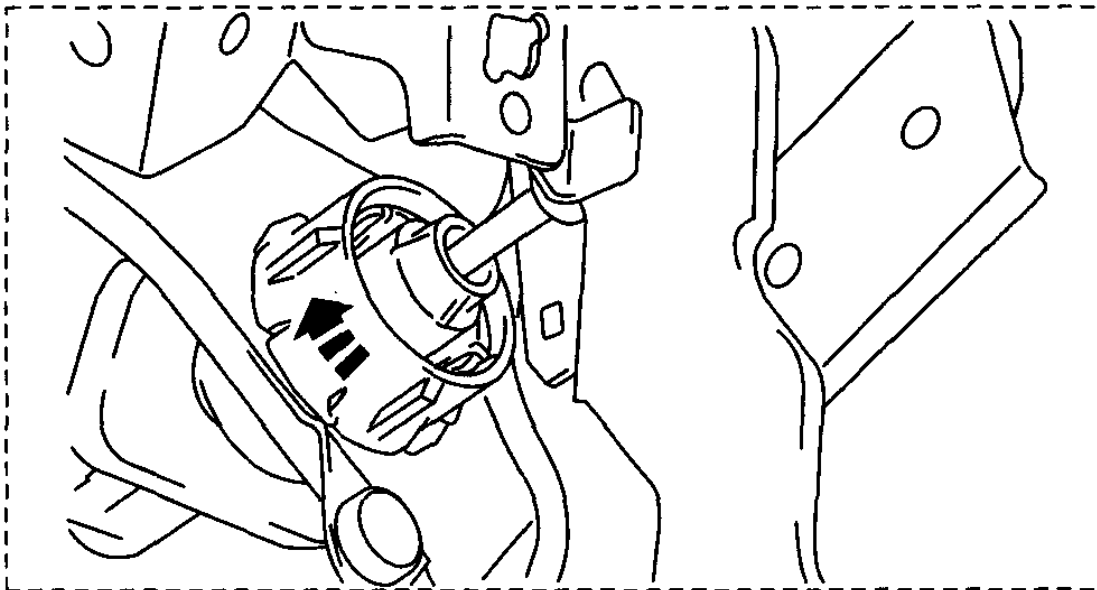
am3zzw000029



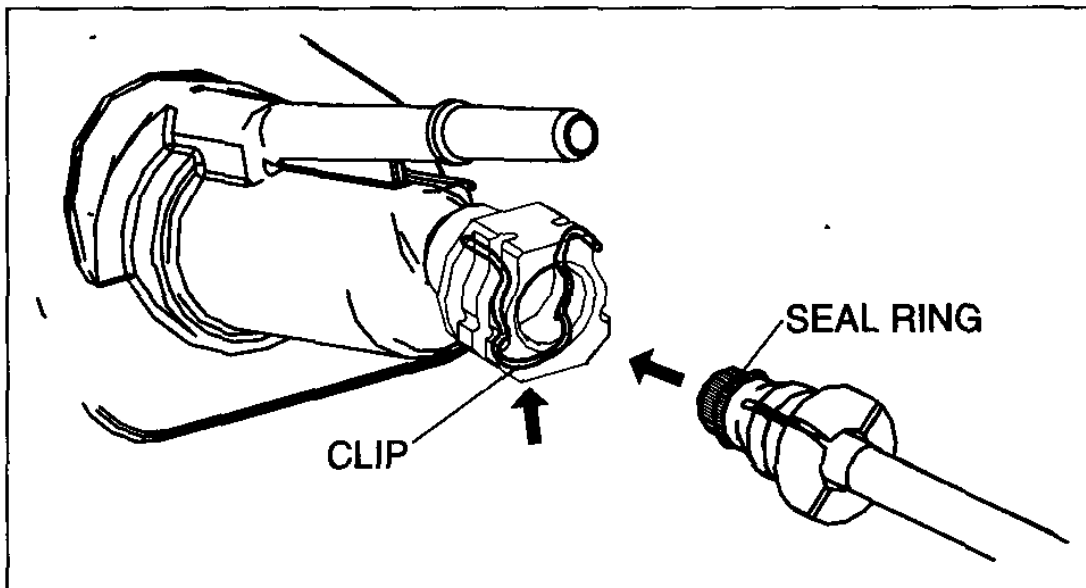
am3zzw0000030



am3zzw00000302



am3zzw00000304



am3uuw00000192