

Component Procedures: Clutch Slave Cylinder

Table of Contents

1. Parts and Labor (itype_189)
2. Clutch Release Cylinder Removal/Installation (Article 1373290)

Component Procedures: Clutch Slave Cylinder

Parts and Labor (itype_189)

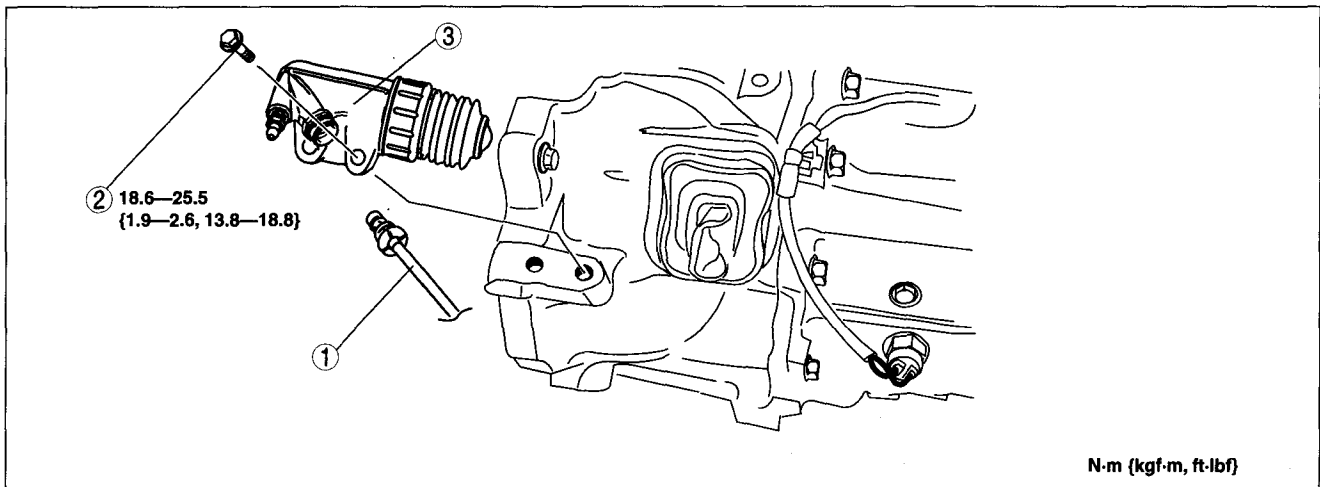
Parts

Qualifier	Part #	Name	Price	Note
Slave Cylinder > To 11/1/08	BP4S41920C	Slave Cylinder	108.94	

Labor

Operation	Qualifier Path	Skill	Std Hrs	Wty Hrs
Replace	Slave Cylinder, R&R	B	0.6	0.5

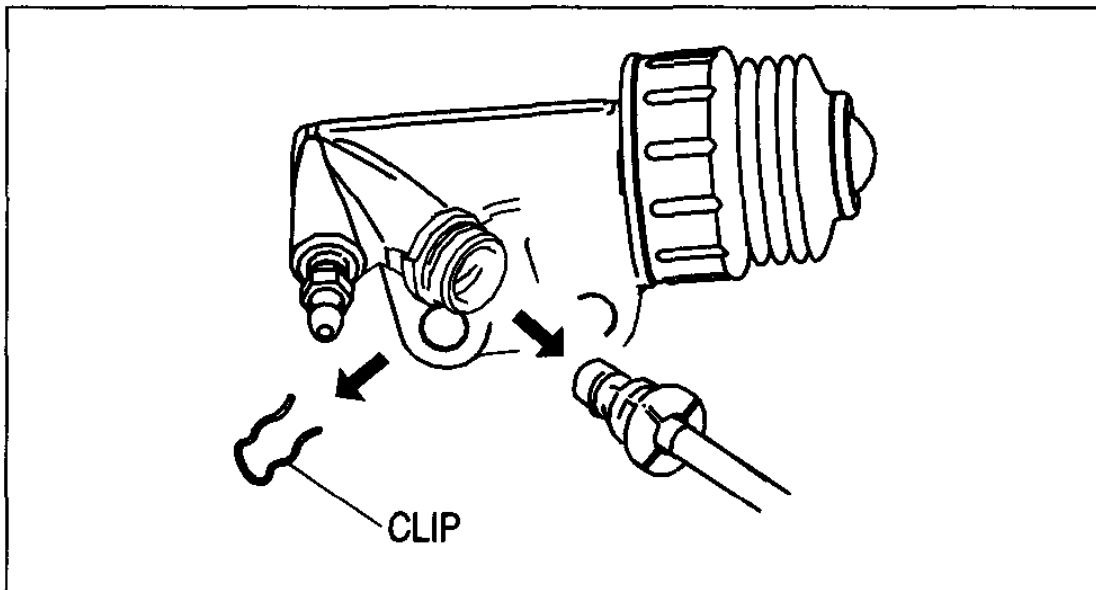
Clutch Release Cylinder Removal/Installation (Article 1373290)



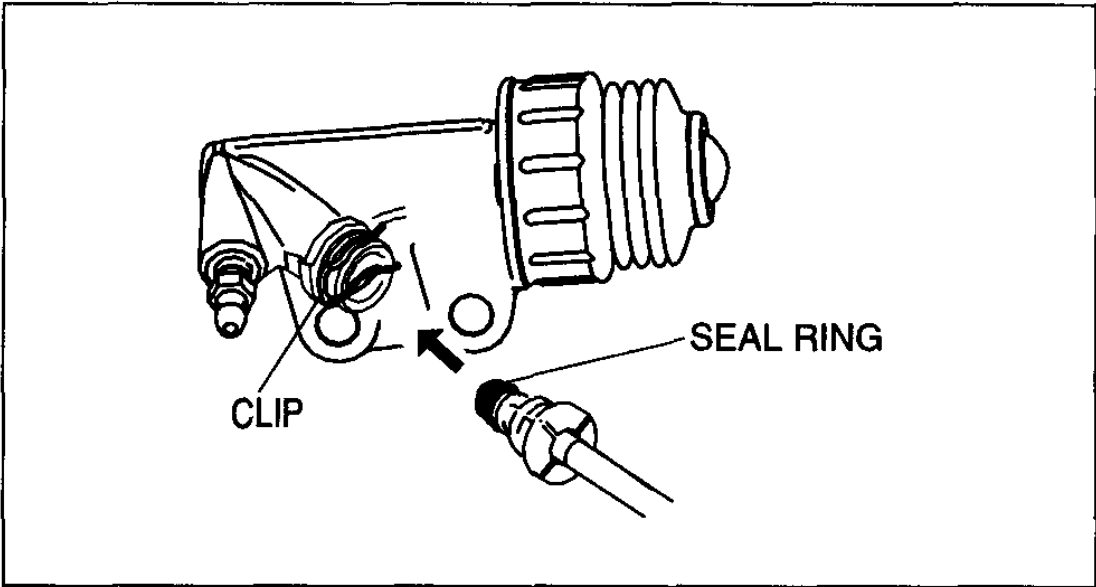
c3u0510w010

1	Clutch pipe (See Clutch Pipe Removal Note.) (See Clutch Pipe Installation Note.)
---	--

2	Bolt
3	Clutch release cylinder



am3uuw00000695



am3uuw0000696