

# Component Procedures: Cargo Lamp

## Table of Contents

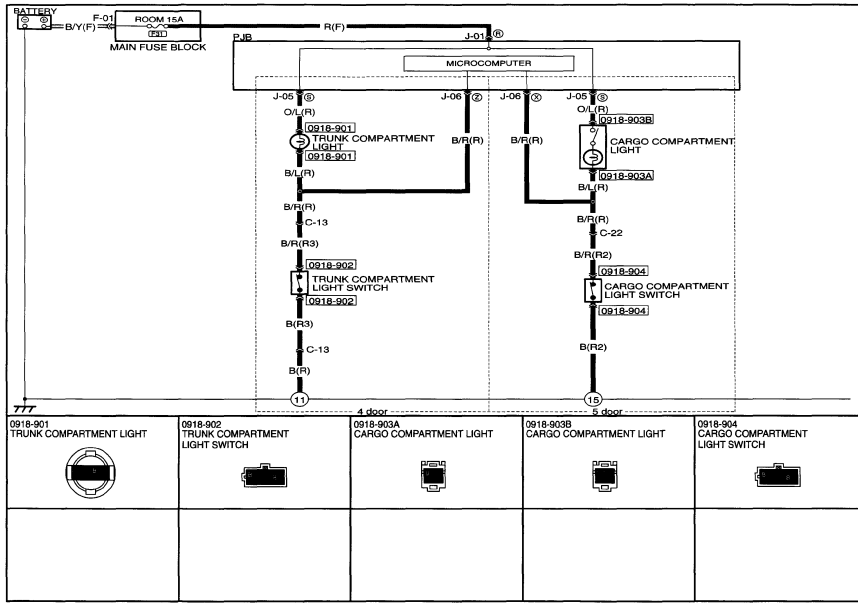
1. Electrical (OE) (itype\_21)
2. Removal and Replacement (itype\_401)
3. Component Tests and General Diagnostics (itype\_383)

# Component Procedures: Cargo Lamp

## Electrical (OE) (itype\_21)

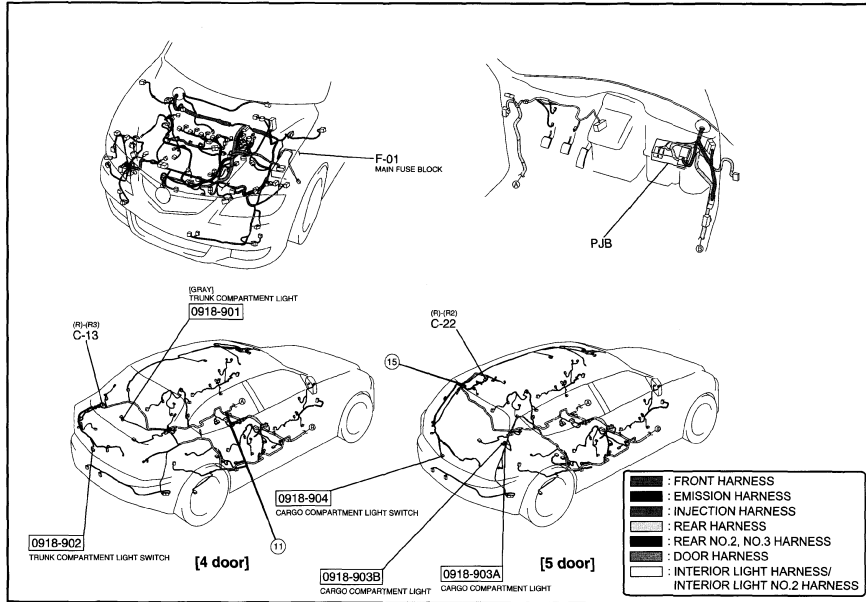
CARGO COMPARTMENT LIGHT (5 door)/TRUNK COMPARTMENT LIGHT (4 door)

0918-9

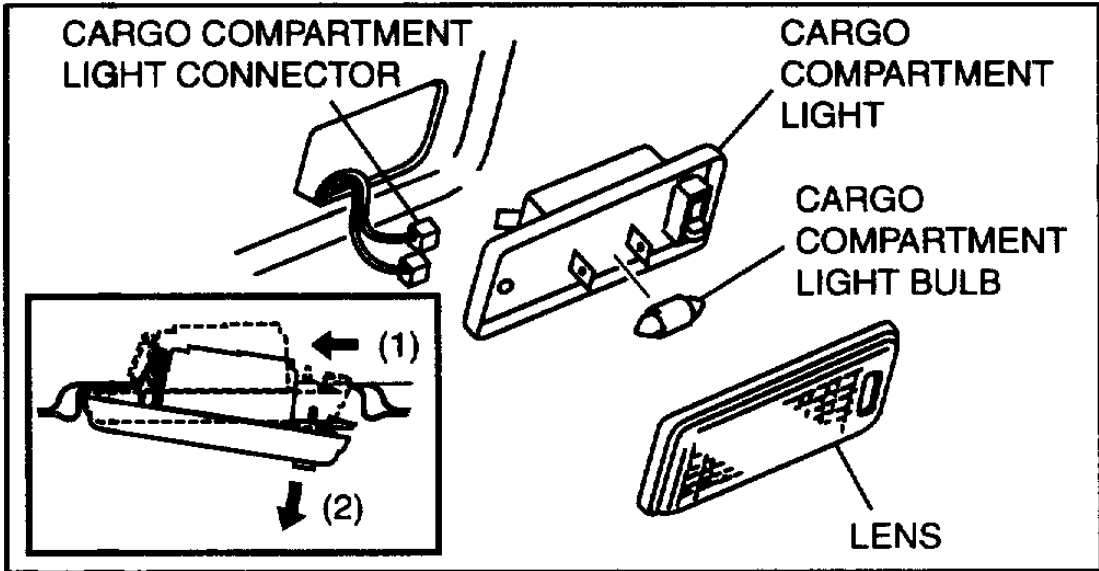


CARGO COMPARTMENT LIGHT (5 door)/TRUNK COMPARTMENT LIGHT (4 door)

0918-9



## Removal and Replacement (itype\_401)



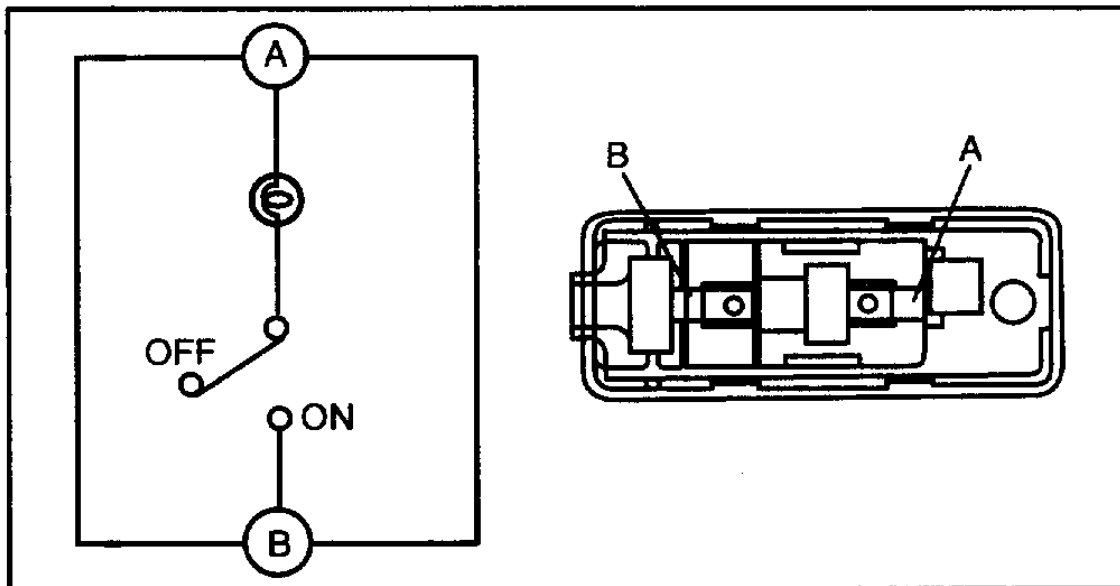
B3E0918W159

Component Tests and General Diagnostics (itype\_383)

○ ⊕ ○ : Bulb

Switch position	Terminal	
	A	B
ON	○ — ⊕ — ○	
OFF		

A6E8114W114



B3E0918W176