

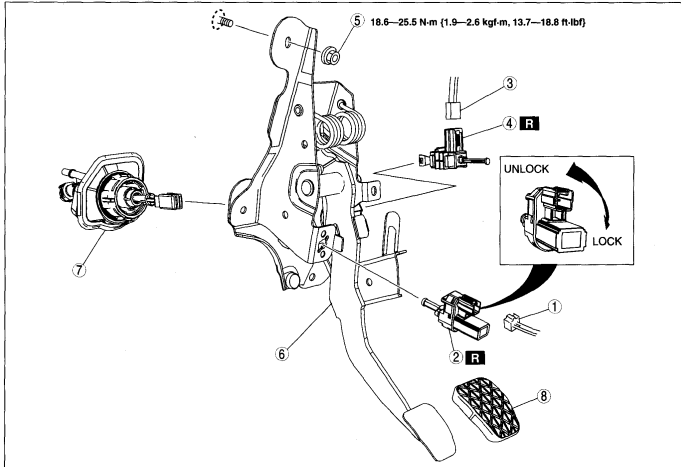
Component Procedures: Clutch Pedal Assembly

Table of Contents

1. Clutch Pedal Removal/Installation (Article 1359982)
2. Clutch Pedal Inspection (Article 1454511)

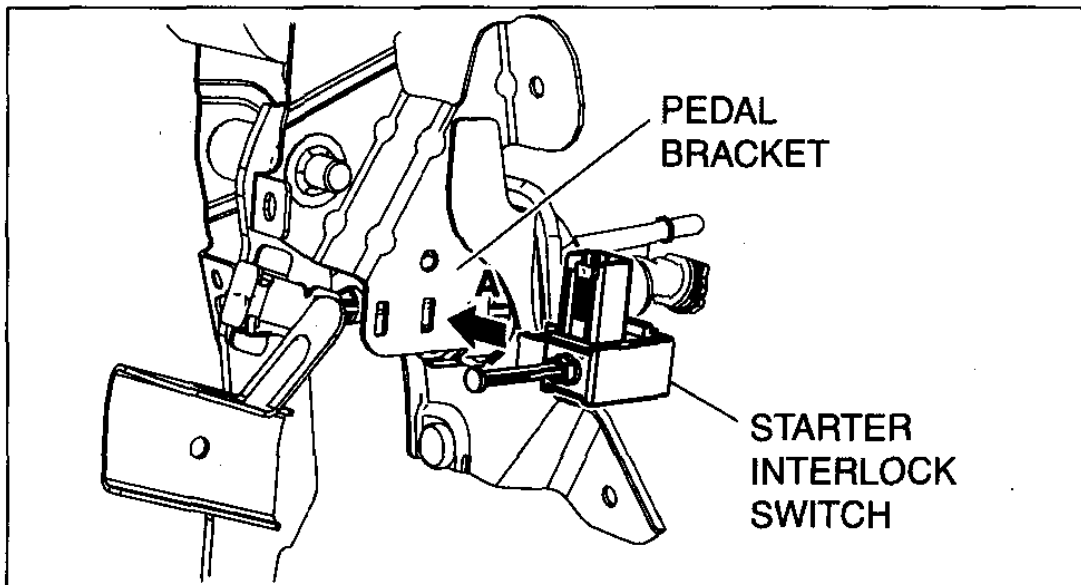
Component Procedures: Clutch Pedal Assembly

Clutch Pedal Removal/Installation (Article 1359982)

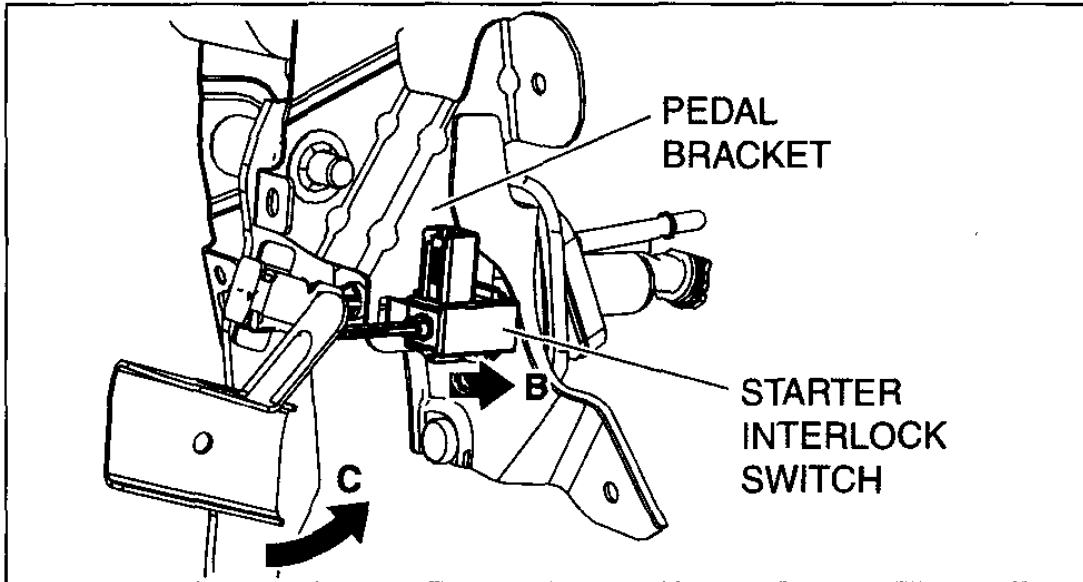


1	Clutch pedal position switch connector
2	Clutch pedal position switch (See Clutch Pedal Position Switch Installation Note.)
3	Starter interlock switch connector
4	Starter interlock switch (See Starter Interlock Switch Installation Note.)

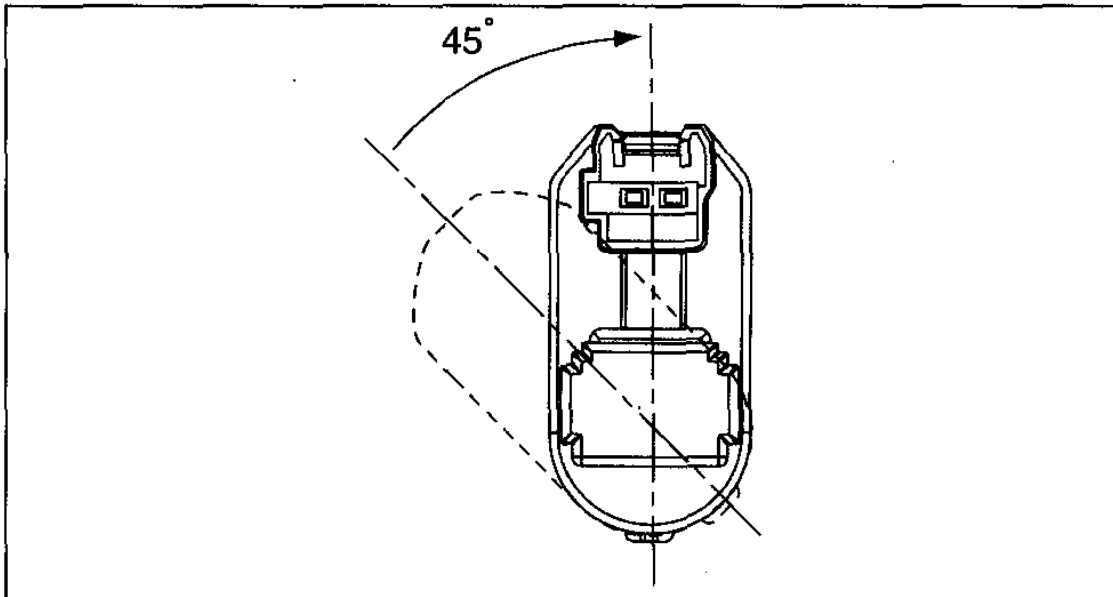
5	Nuts
6	Clutch pedal component
7	Clutch master cylinder (See CLUTCH MASTER CYLINDER REMOVAL/INSTALLATION.)
8	Pedal pad



am3uuw000069

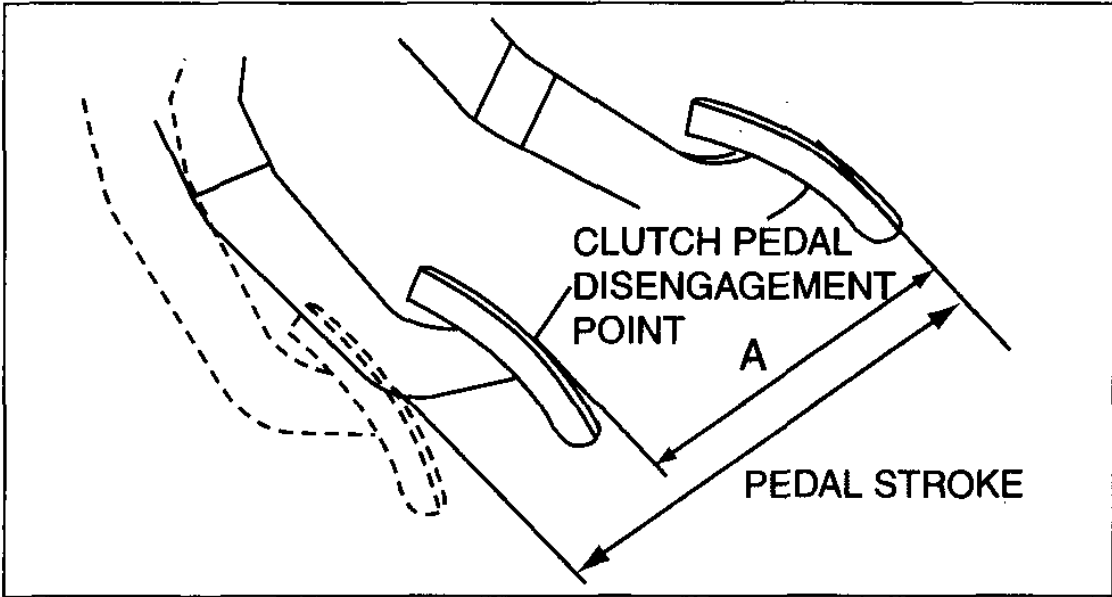


am3uuw000069

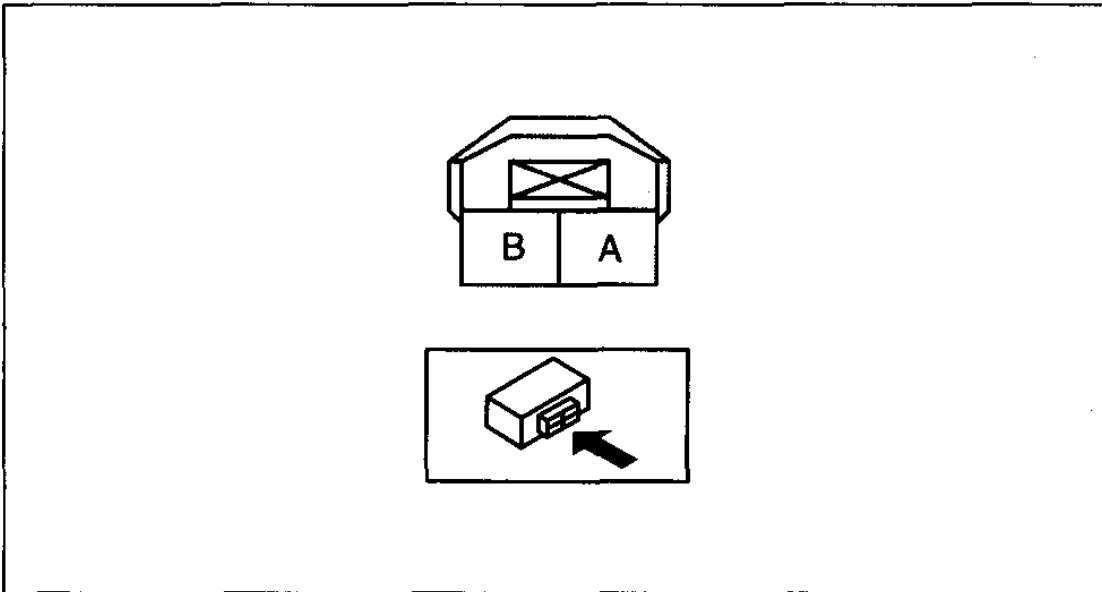


am3uuw000018

Clutch Pedal Inspection (Article 1454511)





am3uuw0000069



am3uuw0000069

○—○ : Continuity

Condition	Connector terminal	
	A	B
Clutch pedal is depressed		
Clutch pedal is not depressed		

am3uuw0000069