

Component Procedures: Remote Switch

Table of Contents

1. Components (itype_32)
2. Removal and Replacement (itype_401)
3. Component Tests and General Diagnostics (itype_383)

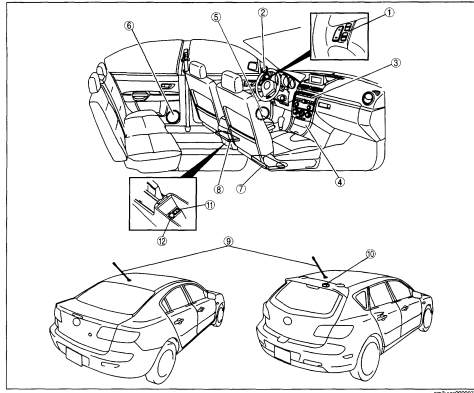
Component Procedures: Remote Switch

Components (itype_32)

ENTERTAINMENT LOCATION INDEX

Audio System

483200080100

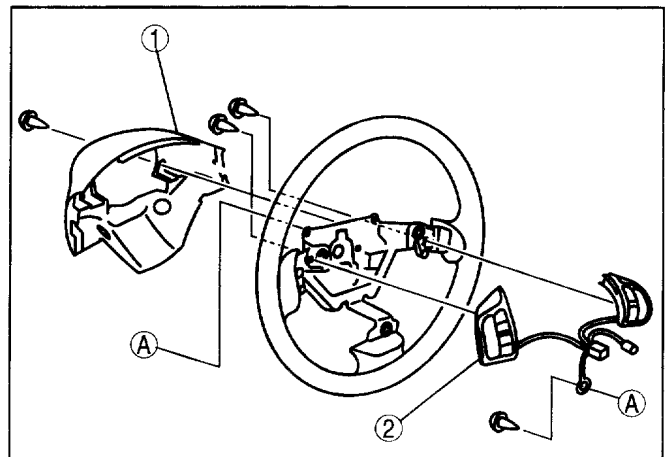


1	Audio control switch
2	Front tweeter
3	Center panel module
4	Cigarette lighter

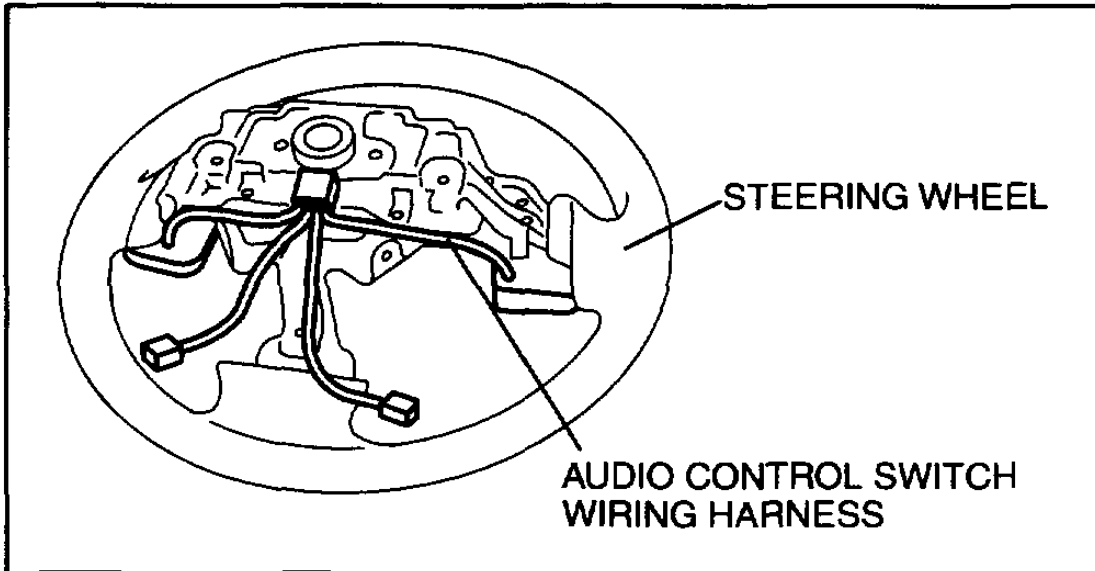
5	Front door speaker
6	Rear door speaker
7	Woofer (Bose)
8	Audio amplifier (Bose)

Removal and Replacement (itype_401)

1	Cover
2	Audio control switch

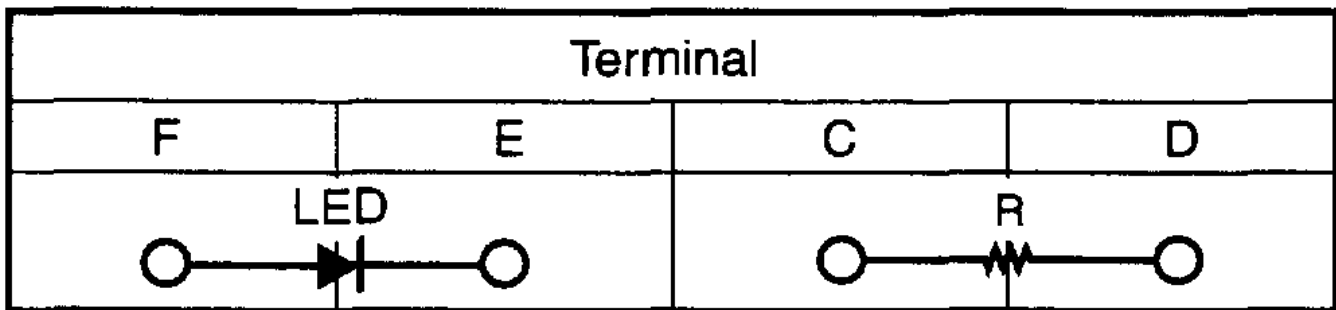


c3u0920w103

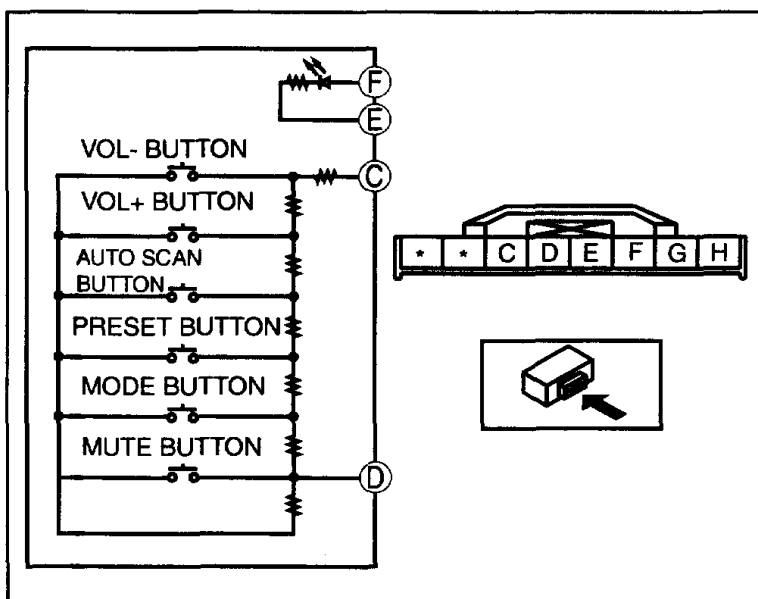


am3uuw0000084

Component Tests and General Diagnostics (itype_383)



c3u0920w111



c3u0920w102

R: : Resistance. See the table.

Switch position	Resistance (ohm)
VOL- button ON	51—56
VOL+ button ON	140—154
AUTO SCAN button ON	286—315
PRESET button ON	534—589
MODE button ON	985—1,080
MUTE button ON	1,940—2,130
OFF	4,800—5,290