

# Component Procedures: Combination Switch

## Table of Contents

1. Parts and Labor (itype\_189)
2. Components (itype\_32)
3. Overhaul (itype\_402)
4. Removal and Replacement (itype\_401)

# Component Procedures: Combination Switch

## Parts and Labor (itype\_189)

### Parts

Qualifier	Part #	Name	Price	Note
Multifunction Switch > 4 Doo?	BN8P66122	Multifunction Switch	134.32	Includes Headlamp, Turn Si?
Multifunction Switch > 4 Doo?	BN8R66122	Multifunction Switch	108.95	Includes Headlamp, Turn Si?
Multifunction Switch > 4 Doo?	BP8L66122	Multifunction Switch	134.32	Includes Headlamp, Turn Si?
Multifunction Switch > 4 Doo?	BP8M66122	Multifunction Switch	169.85	Includes Headlamp, Turn Si?
Multifunction Switch > 5 Doo?	BN8R66122	Multifunction Switch	108.95	Includes Headlamp, Turn Si?
Multifunction Switch > 5 Doo?	BP8M66122	Multifunction Switch	169.85	Includes Headlamp, Turn Si?

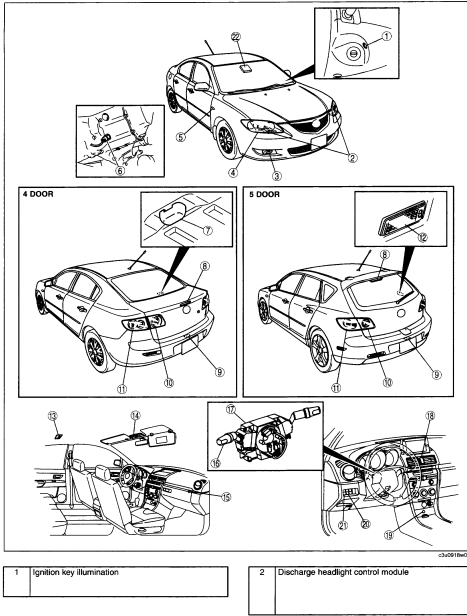
### Labor

Operation	Qualifier Path	Skill	Std Hrs	Wty Hrs
Replace	Multifunction Switch	B	0.9	0.6

## Components (itype\_32)

3	Front fog light
4	Front combination light
5	Front side turn light
6	Back-up light switch (MTX)
7	Trunk compartment light
8	High-mount brake light
9	License plate light
10	Inboard light
11	Rear combination light

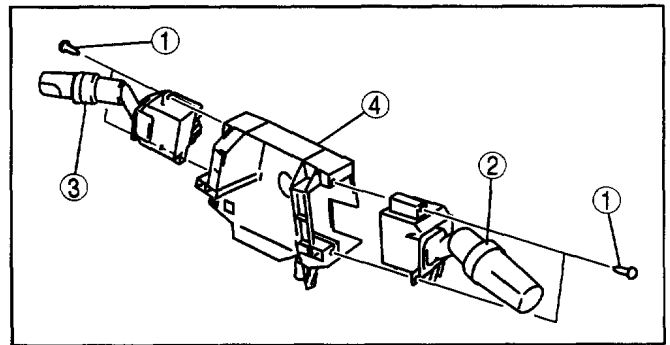
12	Cargo compartment light
13	Interior light
14	Map light
15	Glove compartment light
16	Light switch
17	Combination switch
18	Hazard warning switch
19	Ashtray illumination
20	Panel light control switch
21	Headlight leveling switch
22	Light sensor



1	Ignition key illumination
2	Discharge headlight control module

### Overhaul (itype\_402)

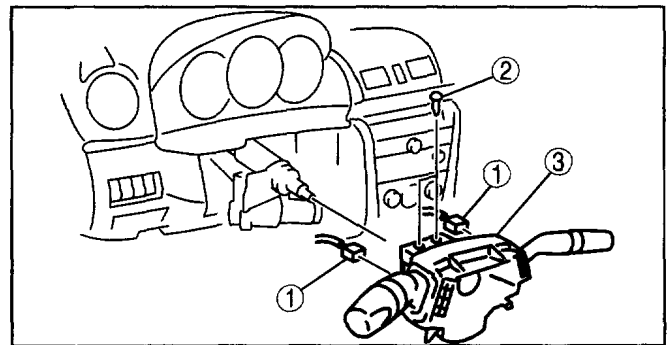
1	Screw
2	Wiper and washer switch
3	Light switch
4	Body



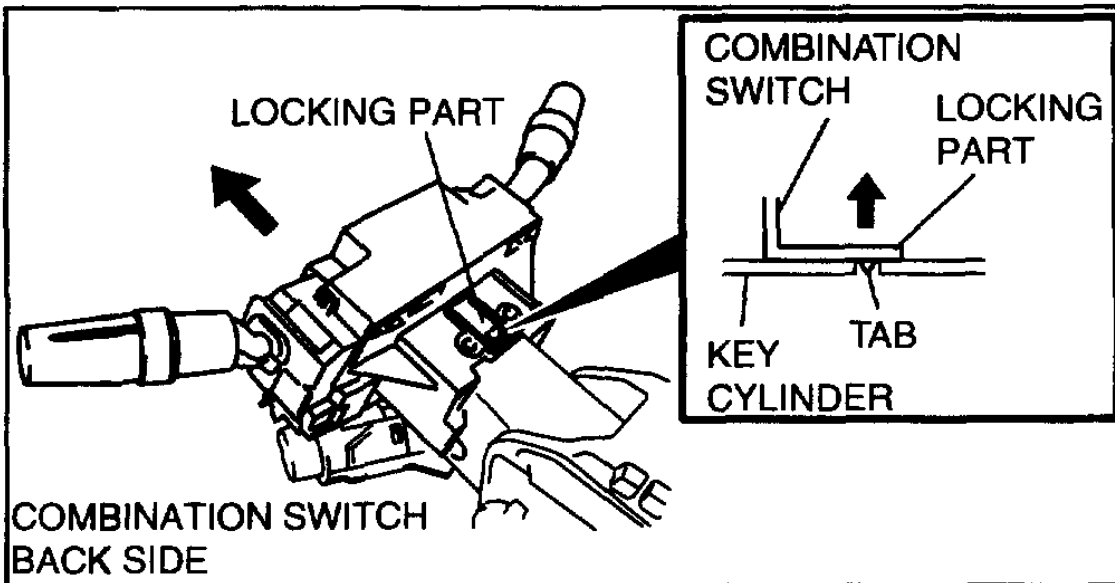
B3E0918W129

### Removal and Replacement (itype\_401)

1	Connector
2	Screw
3	Combination switch



am3uuw0000083



am3uuw0000083