

# **Component Procedures: Steering Column Cover**

## **Table of Contents**

1. Parts and Labor (itype\_189)
2. Removal and Replacement (itype\_401)

# Component Procedures: Steering Column Cover

## Parts and Labor (itype\_189)

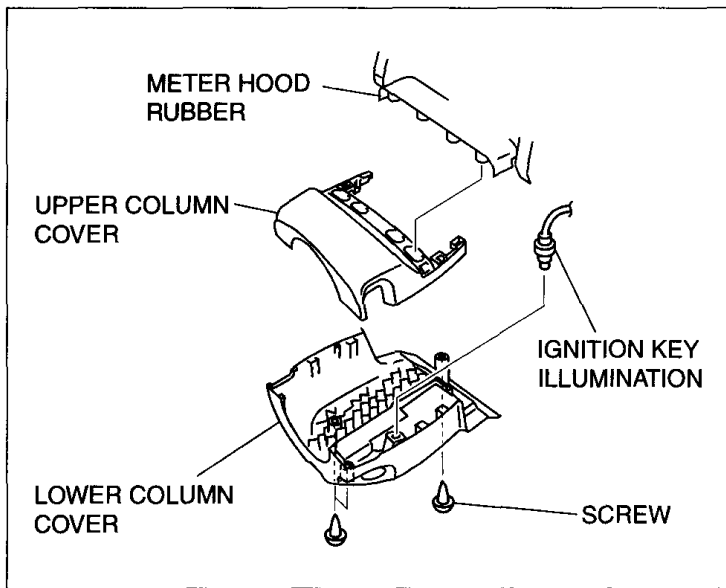
### Parts

Qualifier	Part #	Name	Price	Note
Shroud	BAH76021X02	4 - Shroud	64.49	

### Labor

Operation	Qualifier Path	Skill	Std Hrs	Wty Hrs
Replace	Upper/Lower	C	0.3	0.2

## Removal and Replacement (itype\_401)



B3E0917W104