

Component Procedures: Evaporator Case

Table of Contents

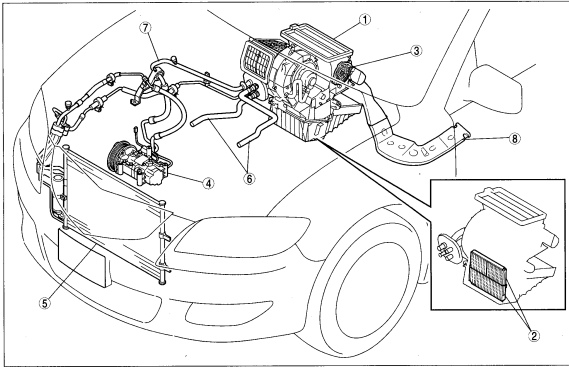
1. Components (itype_32)
2. Component Tests and General Diagnostics (itype_383)

Component Procedures: Evaporator Case

Components (itype_32)

HVAC BASIC SYSTEM LOCATION INDEX

4071100801700



am3user000002

1	A/C unit
2	Cabin air filter
3	Airflow mode main link

4	A/C compressor
5	Condenser
6	Heater hose
7	Refrigerant line
8	Rear heat duct

Component Tests and General Diagnostics (itype_383)

EVAPORATOR

INSPECTION

1. Inspect the evaporator for damage, cracks, and oil leakage.
 - If there is any malfunction, replace the evaporator.
2. Visually inspect the fins for bending.
 - If there is any bending, use the end of a flathead screwdriver to straighten the fins.