

Component Procedures: Wheel Hub

Table of Contents

1. Parts and Labor (itype_189)
2. Front Axle Location Index (Article 1465470)
3. Rear Axle Location Index (Article 1465471)
4. Rear Wheel Hub Component Removal/Installation (Article 1361647)
5. Front Wheel Hub, Steering Knuckle Removal/Installation (Article 1361648)
6. All Technical Service Bulletins (itype_100)
7. Customer Interest Bulletins (itype_109)
8. Front Wheel Hub, Steering Knuckle Inspection (Article 1416763)
9. Rear Wheel Hub Component Inspection (Article 1416764)
10. Noise (itype_156)
11. Warranty Information (itype_119)

Component Procedures: Wheel Hub

Parts and Labor (itype_189)

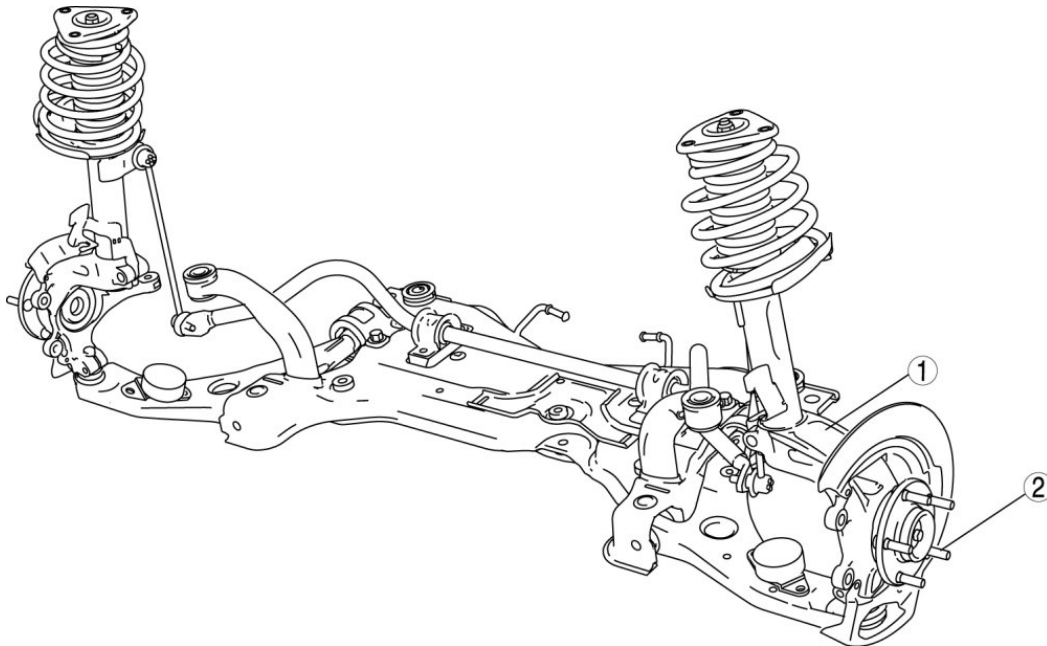
Parts

Qualifier	Part #	Name	Price	Note
Front Suspension > Hub	C23633060A	1 - Front Hub	165.78	
Rear Suspension > Hub & Bear?	BN8B2615XG	1 - Hub & Bearing	363.08	
Rear Suspension > Hub & Bear?	BP4K2615XF	1 - Hub & Bearing	219.21	

Labor

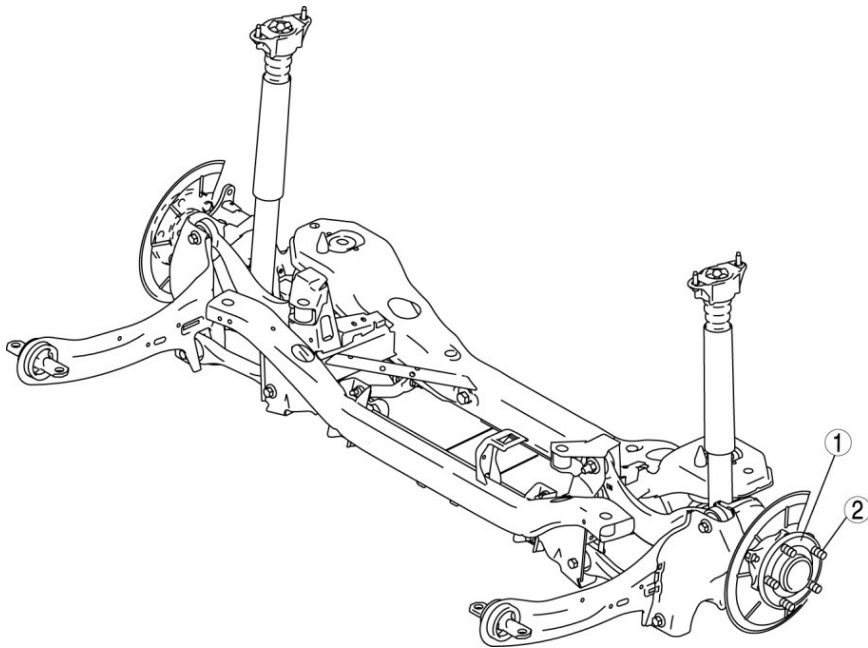
Operation	Qualifier Path	Skill	Std Hrs	Wty Hrs
Replace	Front Suspension > Front Hub & Bearing > One ?	B	1.8	1.5
Replace	Front Suspension > Front Hub & Bearing > Both?	B	3.0	2.3
Replace	Rear Suspension > One Side	B	0.9	0.7
Replace	Rear Suspension > Both Sides	B	1.5	1.1

Front Axle Location Index (Article 1465470)



1	Wheel hub, steering knuckle (See WHEEL HUB, STEERING KNUCKLE INSPECTION.) (See WHEEL HUB, STEERING KNUCKLE REMOVAL/INSTALLATION.)
2	Wheel hub bolt (See FRONT WHEEL HUB BOLT REPLACEMENT.)

Rear Axle Location Index (Article 1465471)



1 Wheel hub component

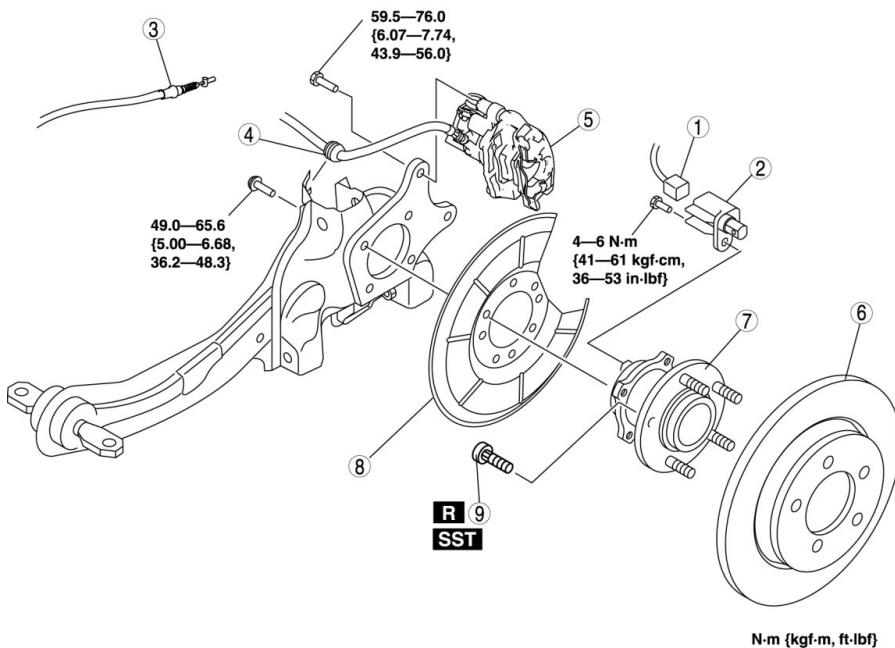
(See WHEEL HUB COMPONENT INSPECTION.)

(See WHEEL HUB COMPONENT REMOVAL/INSTALLATION.)

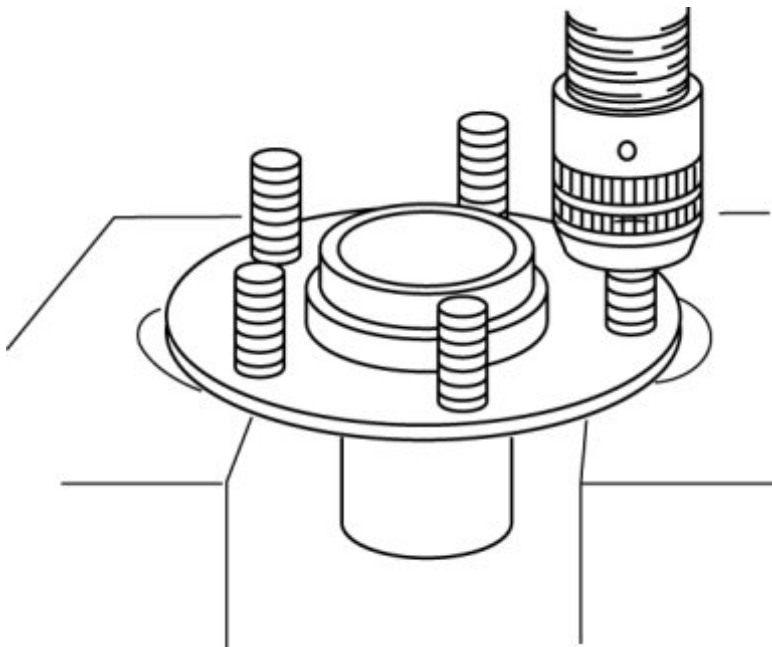
2 Wheel hub bolt

(See WHEEL HUB BOLT REPLACEMENT.)

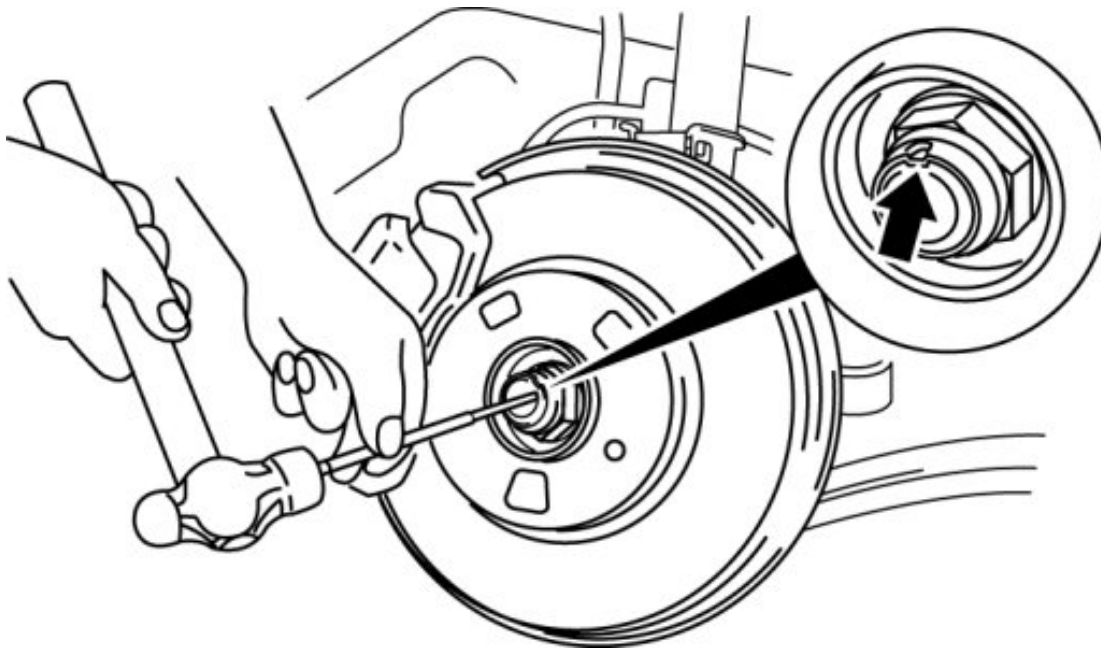
Rear Wheel Hub Component Removal/Installation (Article 1361647)

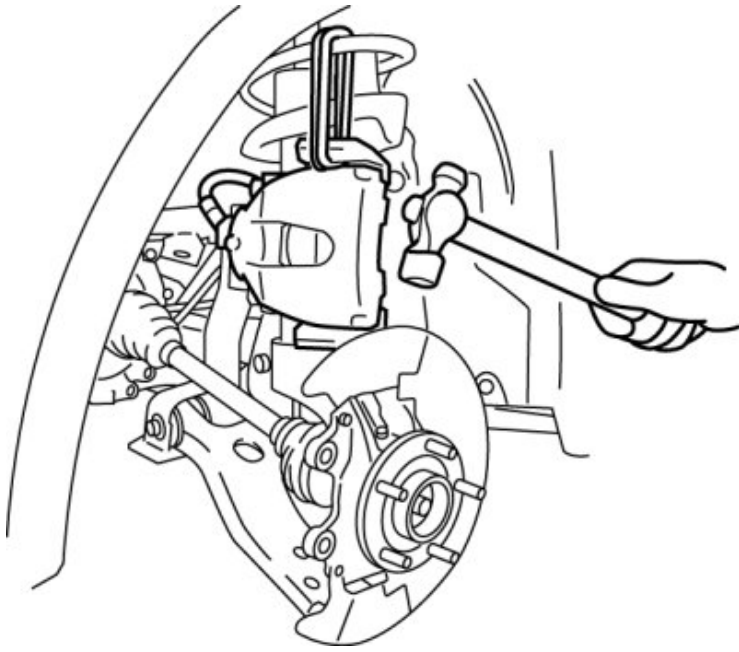
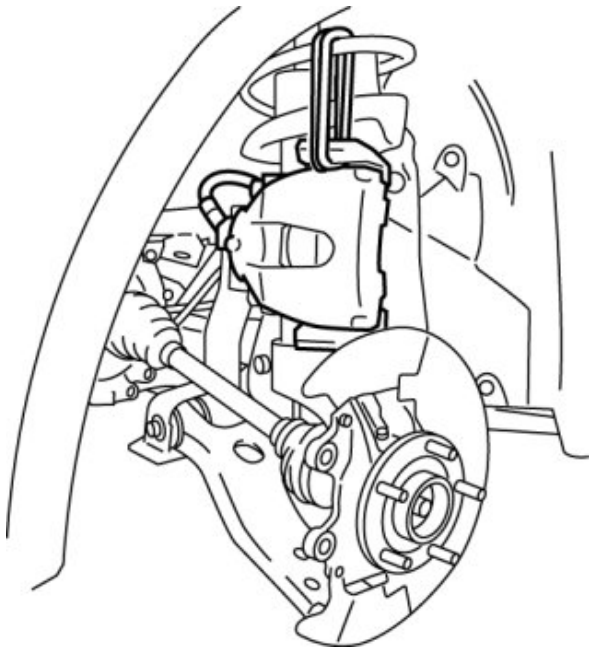


1	ABS wheel-speed sensor connector
2	ABS wheel-speed sensor
3	Rear parking brake cable (See PARKING BRAKE LEVER REMOVAL/INSTALLATION.)
4	Brake hose
5	Brake caliper component (See Brake Caliper Component Removal Note.)
6	Disc plate (See REAR BRAKE (DISC) REMOVAL/INSTALLATION.)
7	Wheel hub component
8	Dust cover
9	Wheel hub bolt (See Wheel Hub Bolt Removal Note.) (See Wheel Hub Bolt Installation Note.)



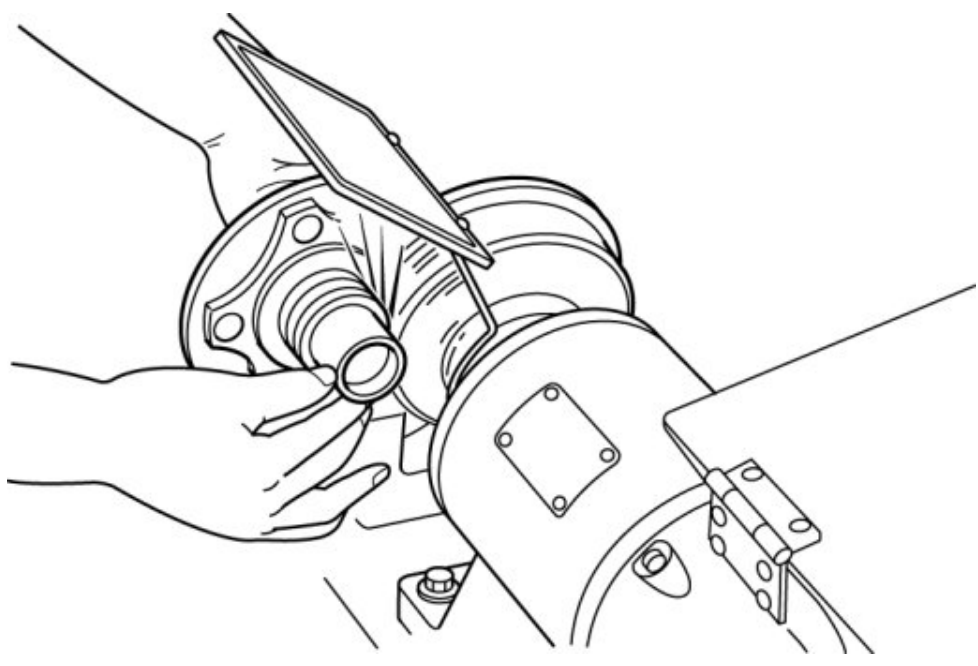
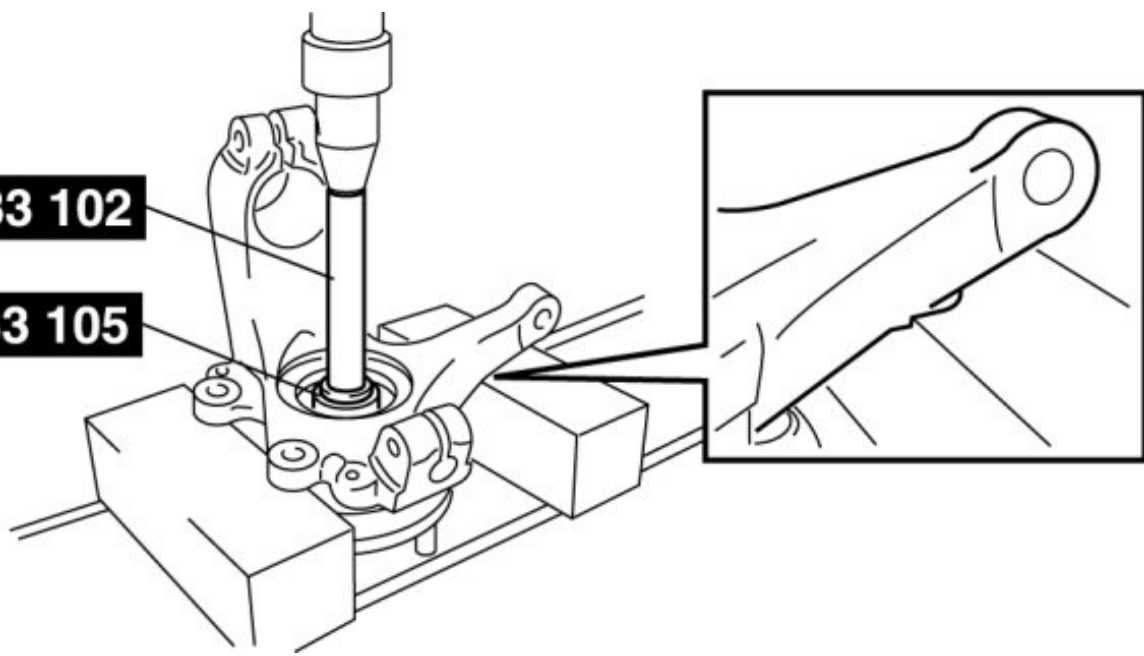
1	ABS wheel-speed sensor connector
2	ABS wheel-speed sensor
3	Locknut (crimped-fix type)/Locknut (self-lock type) (See Locknut (Crimped-fix Type) Removal Note.) (See Locknut (Crimped-fix Type) Installation Note.)
4	Brake caliper component (See Brake Caliper Removal Note.)
5	Disc plate (See FRONT BRAKE (DISC) REMOVAL/INSTALLATION[L,F, L3].) (See FRONT BRAKE (DISC) REMOVAL/INSTALLATION[L3 WITH TC].)
6	Dust cover
7	Tie-rod end ball joint (See FRONT CROSSMEMBER REMOVAL/INSTALLATION.)
8	Front lower arm ball joint
9	Stabilizer control link upper nut
10	Wheel hub, steering knuckle component (See Wheel Hub, Steering Knuckle Component Removal Note.) (See Wheel Hub, Steering Knuckle Component Installation Note.)
11	Wheel hub component (See Wheel Hub Component Removal Note.) (See Wheel Hub Component Installation Note.)
12	Retaining clip
13	Wheel bearing (See Wheel Bearing Removal Note.) (See Wheel Bearing Installation Note.)
14	Steering knuckle
15	Hub bolt (See Wheel Hub Bolt Removal Note.) (See Wheel Hub Bolt Installation Note.)

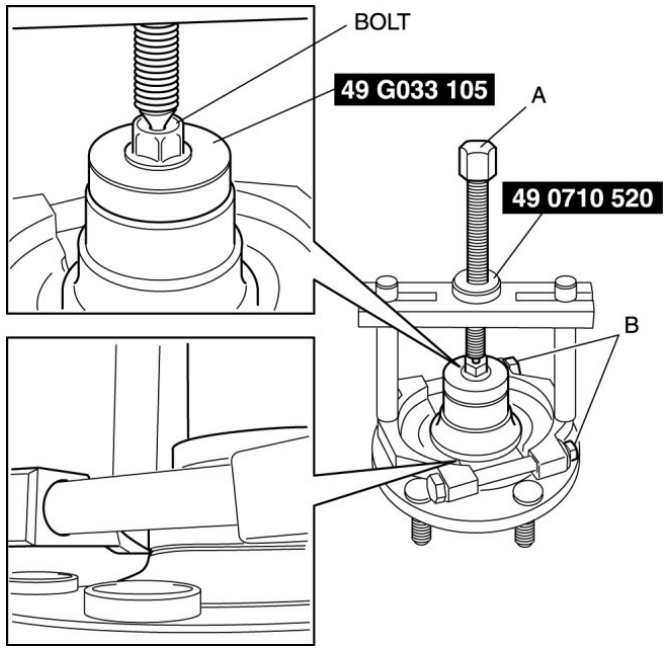
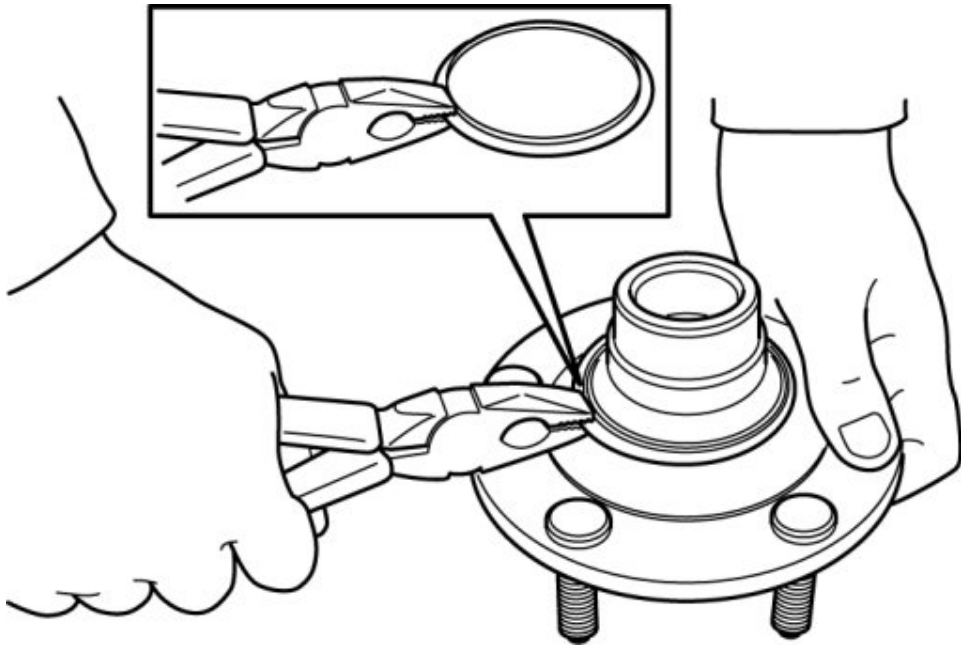


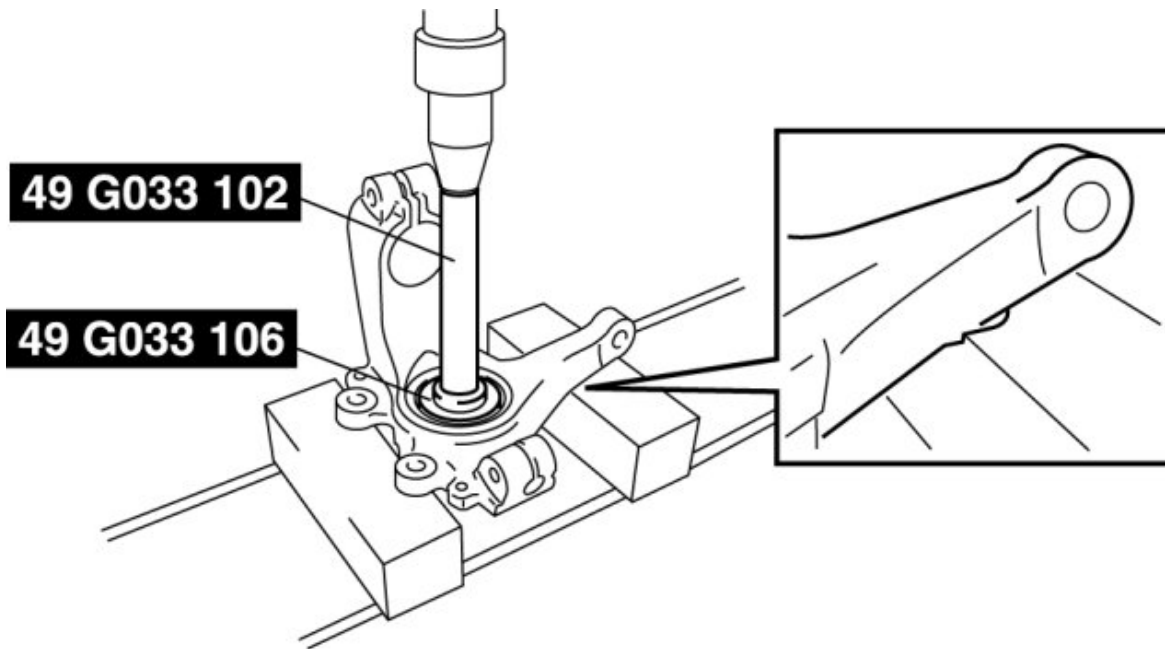
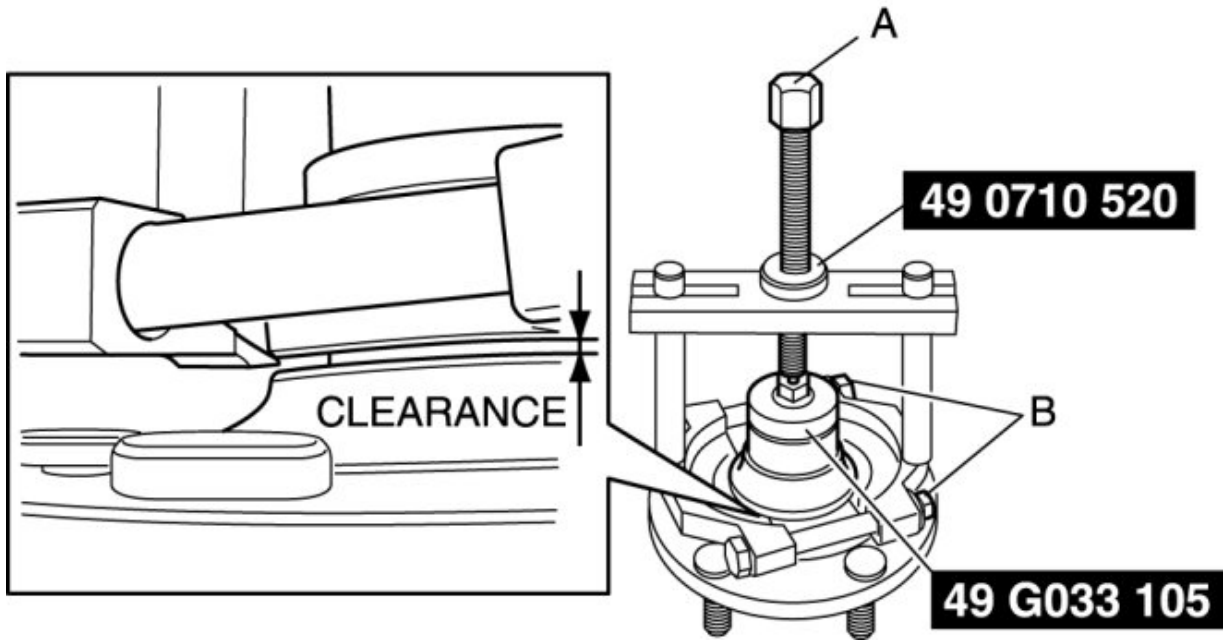


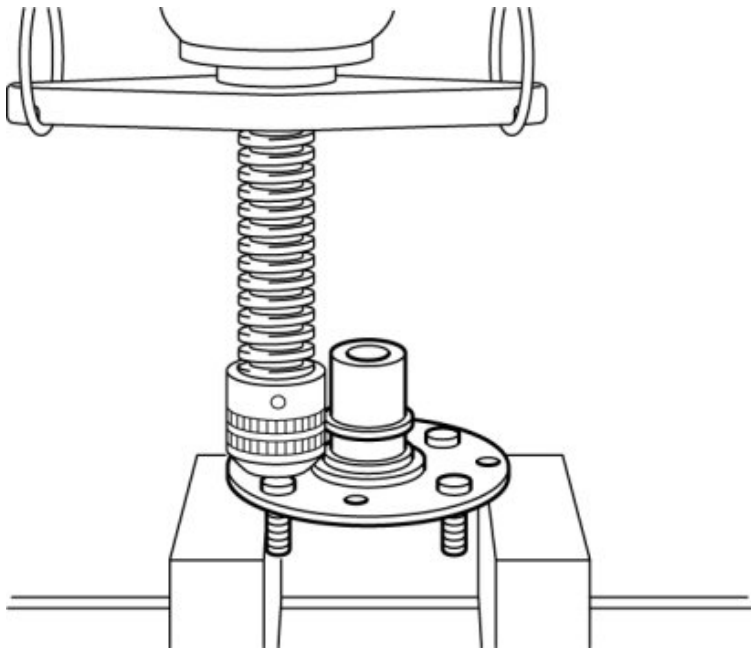
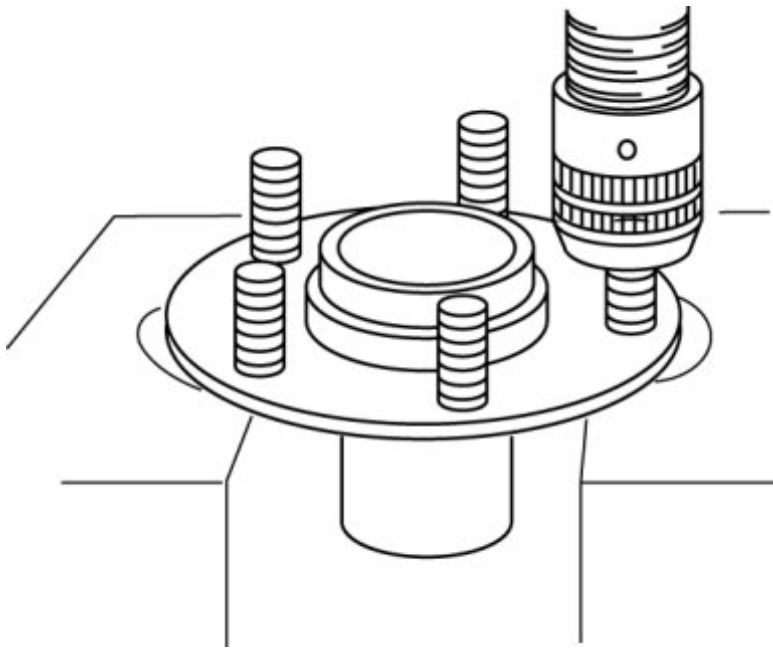
49 G033 102

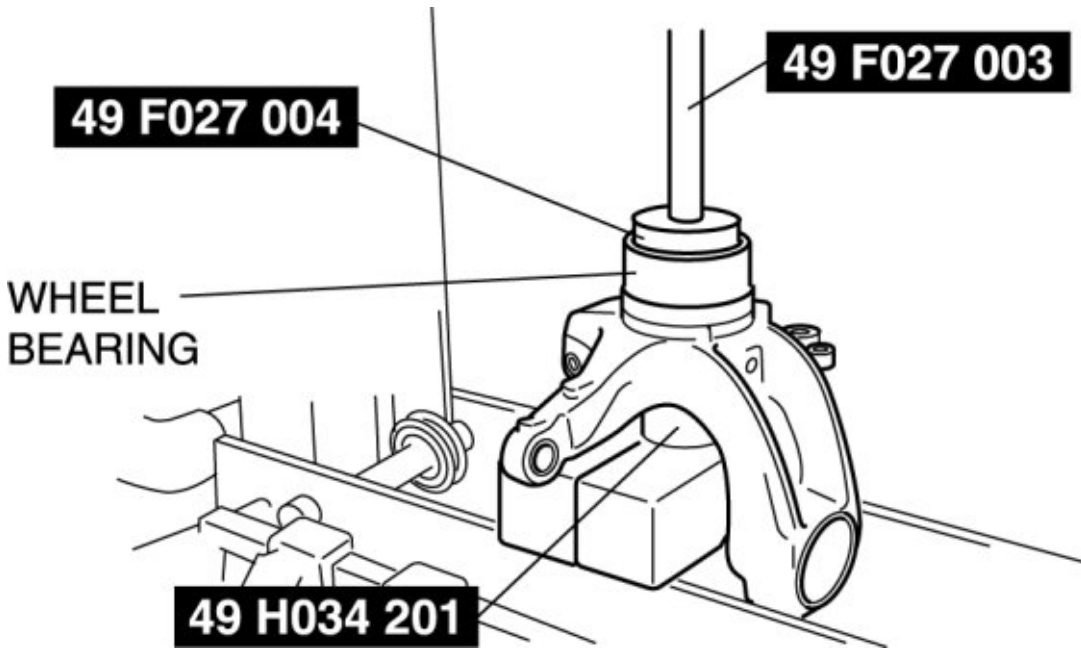
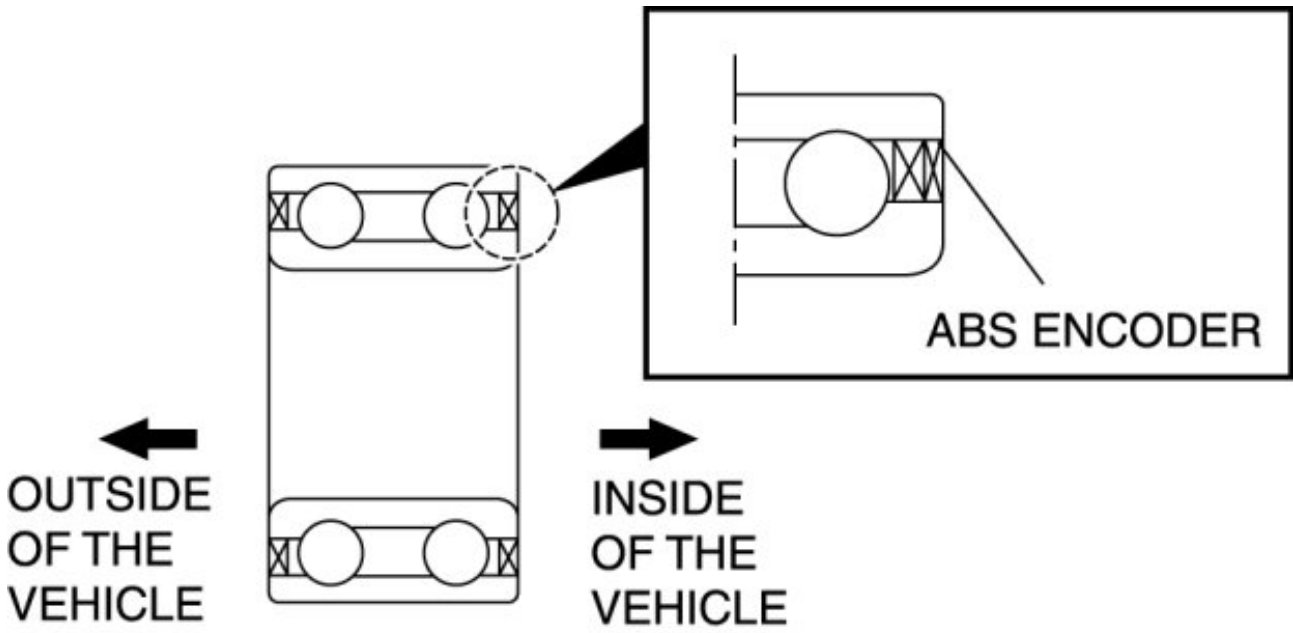
49 G033 105

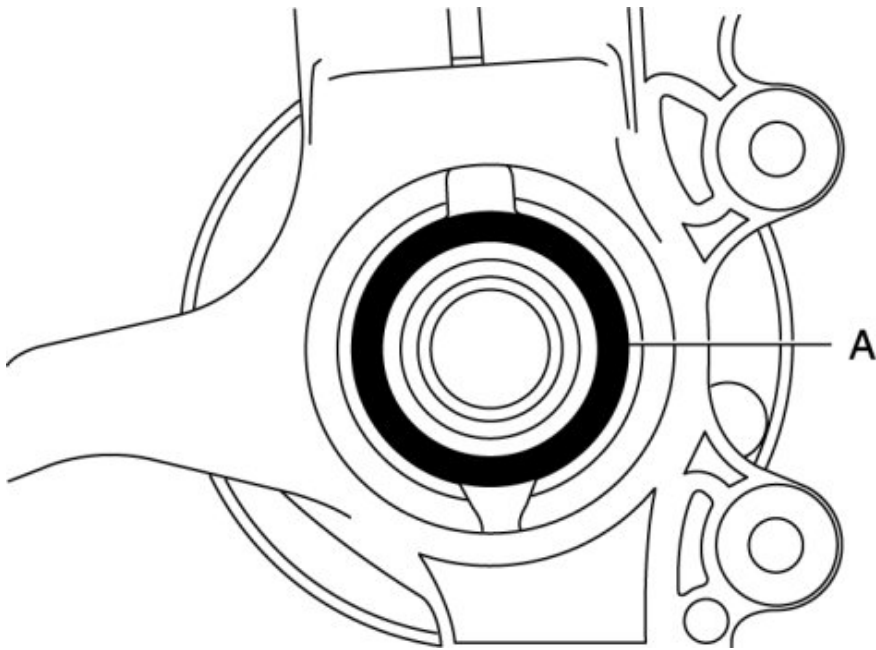
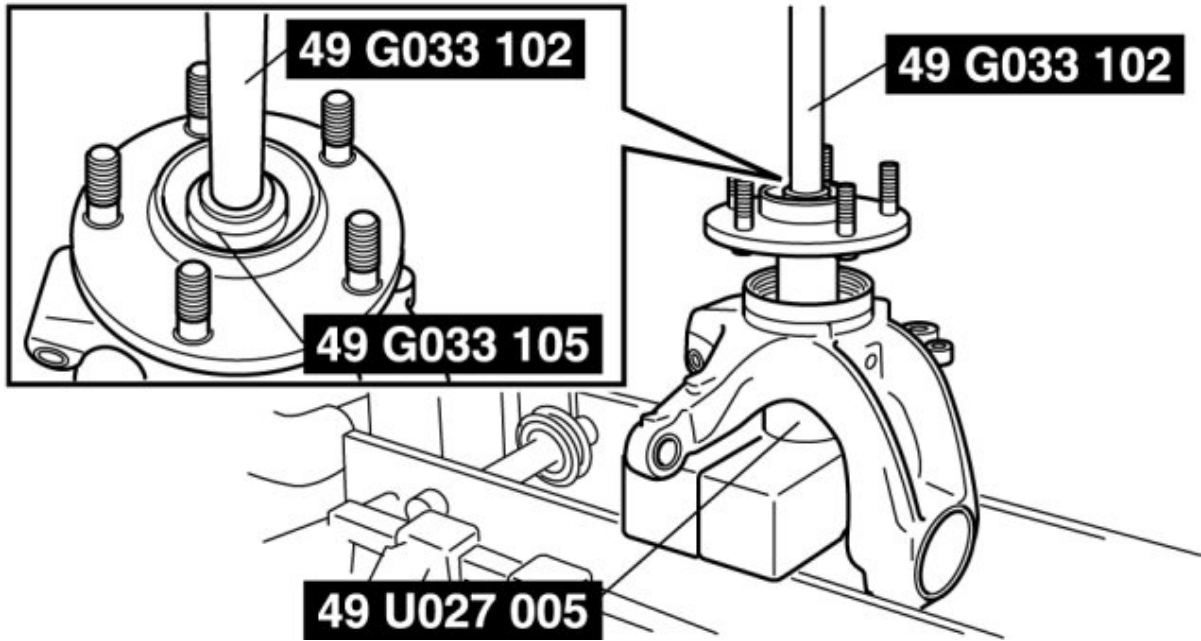


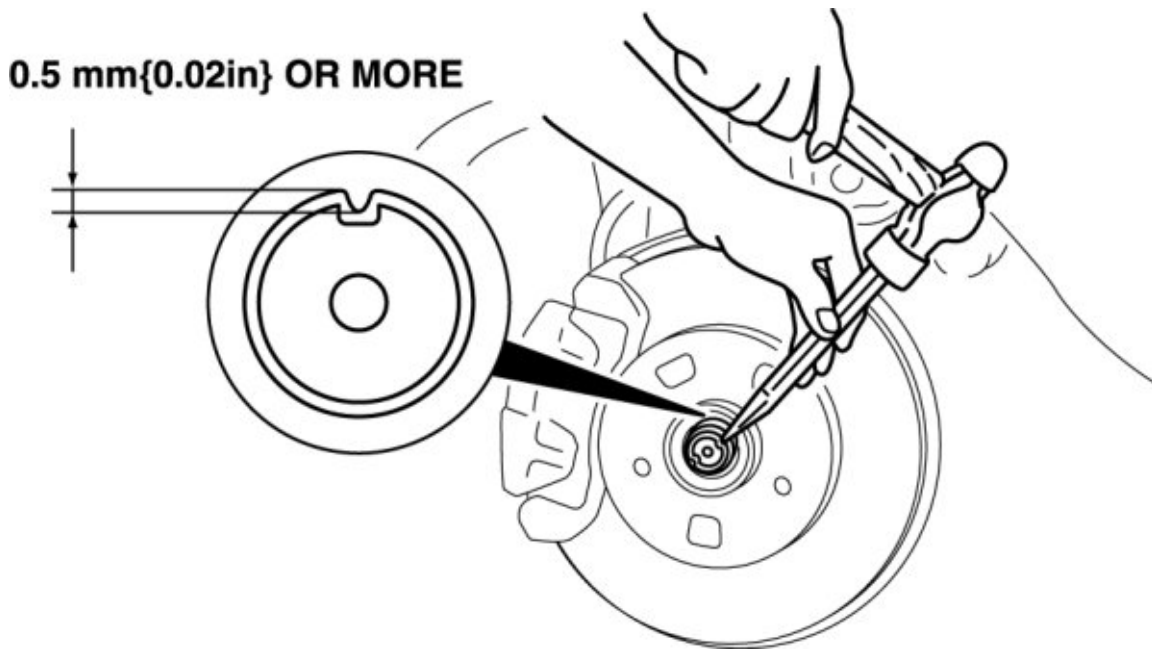












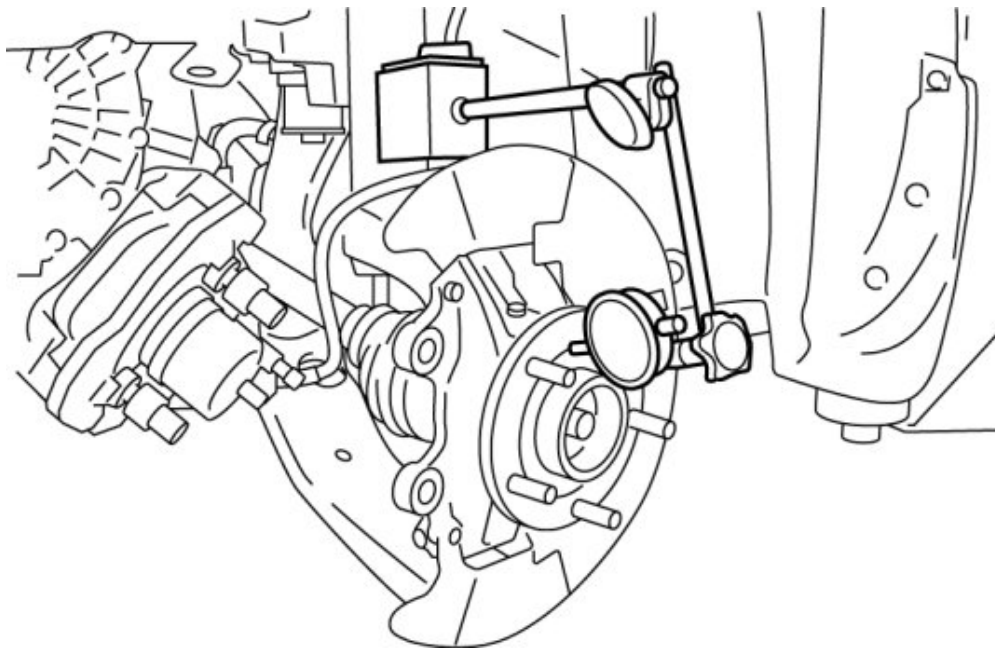
All Technical Service Bulletins (itype_100)

Tsbs
- Drivetrain - Drive Axle Clunking Noises (0300210, 2010/07/07)

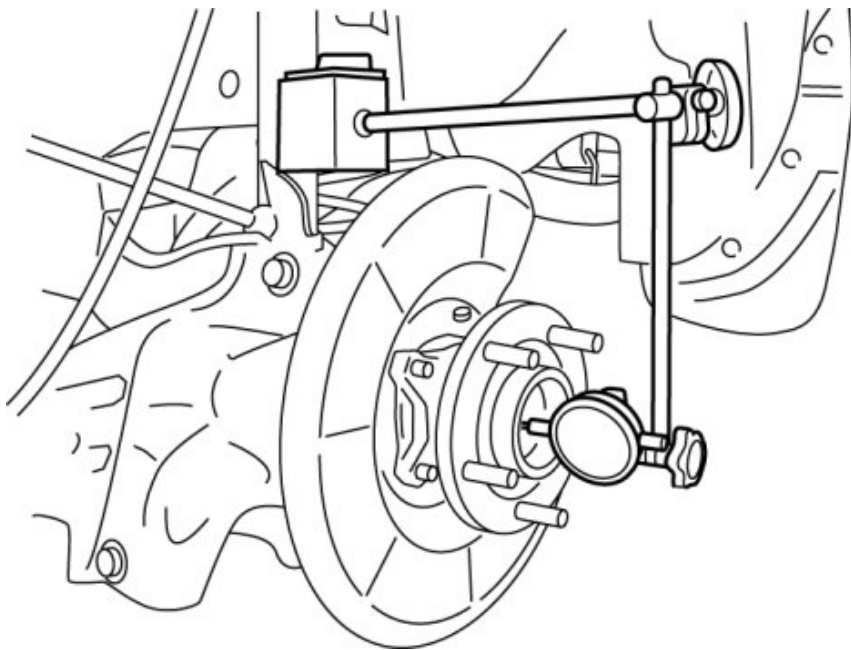
Customer Interest Bulletins (itype_109)

Tsbs
- Drivetrain - Drive Axle Clunking Noises (0300210, 2010/07/07)

Front Wheel Hub, Steering Knuckle Inspection (Article 1416763)



Rear Wheel Hub Component Inspection (Article 1416764)



Noise (itype_156)

Tsbs

- Drivetrain - Drive Axle Clunking Noises (0300210, 2010/07/07)

Warranty Information (itype_119)

Tsbs

- Drivetrain - Drive Axle Clunking Noises (0300210, 2010/07/07)